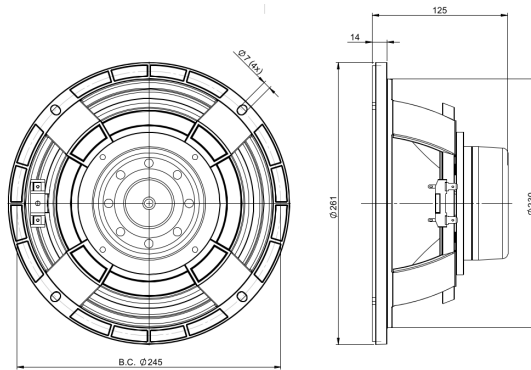


10MBX64

8Ω

LF Drivers - 10.0 Inches



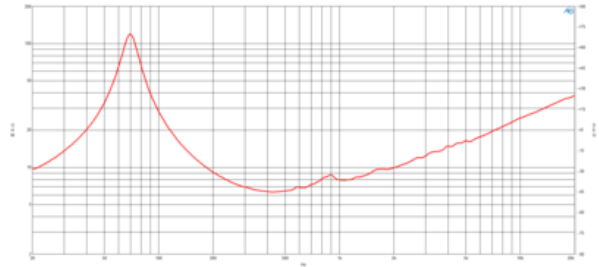
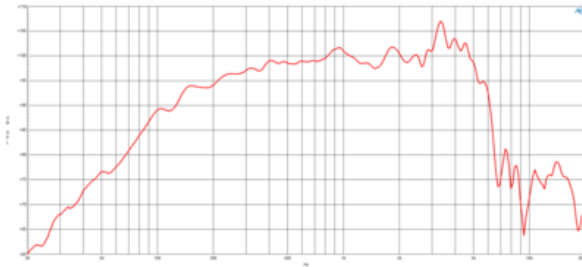
- 700 W continuous program power capacity
- 64 mm (2.5 in) aluminium voice coil
- 65 - 6000 Hz response
- 100 dB sensitivity
- Neodymium inside slug magnet assembly
- Aluminium demodulating ring allows a very low distortion figure
- Ventilated voice coil gap for reduced power compression



The MBX series mid-bass woofers from B&C Speakers offer acoustic designers a new range of high efficiency, wide bandwidth alternatives that are not currently available in the B&C range. These full-featured transducers incorporate lightweight neodymium motors, inside/outside wound copper clad aluminum wire voice coils, weatherproof impregnated paper cones, and a symmetrical inductance profile. The MBX Series is especially well suited for two-way loudspeaker enclosures.

10MBX64

LF Drivers- 10.0 Inches



SPECIFICATIONS

Nominal Diameter	250 mm (10.0 in)
Nominal Impedance	8 Ω
Minimum Impedance	6.5 Ω
Nominal Power Handling ¹	350 W
Continuous Power Handling ²	700 W
Sensitivity ³	100.0 dB
Frequency Range	65 - 6000 Hz
Voice Coil Diameter	64 mm (2.5 in)
Winding Material	Aluminium
Former Material	Glass Fibre
Winding Depth	12.0 mm (0.47 in)
Magnetic Gap Depth	8.0 mm (0.31 in)
Flux Density	1.25 T

DESIGN

Surround Shape	Double Roll
Cone Shape	Radial
Magnet Material	Neodymium Inside Slug
Spider	Single
Pole Design	T-Pole
Woofer Cone Treatment	Waterproof Impregnated Cone

PARAMETERS⁴

Resonance Frequency	65 Hz
Re	5.5 Ω
Qes	0.27
Qms	5.6
Qts	0.26
Vas	28.0 dm ³ (0.99 ft ³)
Sd	346.0 cm ² (53.63 in ²)
η_0	3.2 %
Xmax	4.0 mm
Xvar	5.5 mm
Mms	32.0 g
Bl	16.9 Txm
Le	0.39 mH
EBP	240 Hz

MOUNTING AND SHIPPING INFO

Overall Diameter	261 mm (10.28 in)
Bolt Circle Diameter	245 mm (9.65 in)
Baffle Cutout Diameter	230.0 mm (9.06 in)
Depth	125 mm (4.92 in)
Flange and Gasket Thickness	14 mm (0.55 in)
Air Volume Occupied by Driver	1.5 dm ³ (0.05 ft ³)
Net Weight	3.2 kg (7.05 lb)
Shipping Units	1
Shipping Weight	3.8 kg (8.38 lb)
Shipping Box	295x314x175 mm (11.61x12.36x6.89 in)

SERVICE KIT

RCK10MBX648

1. 2 hours test made with continuous pink noise signal within the range Fs-10Fs. Power calculated on rated nominal impedance. Loudspeaker in free air.
2. Power on Continuous Program is defined as 3 dB greater than the Nominal rating.
3. Applied RMS Voltage is set to 2.83 V for 8 ohms Nominal Impedance.
4. Thiele-Small parameters are measured after a high level 20 Hz sine wave preconditioning test.

B&C Speakers s.p.a.

Via Poggiomoro, 1 - Loc. Vallina, 50012 Bagno a Ripoli (FI) - ITALY - Tel. +39 055 65721 - Fax +39 055 6572312 - mail@bcspeakers.com