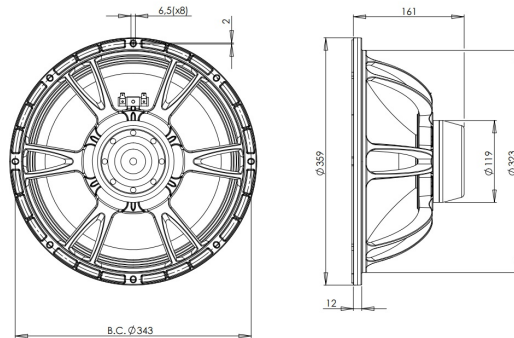


14NDL76

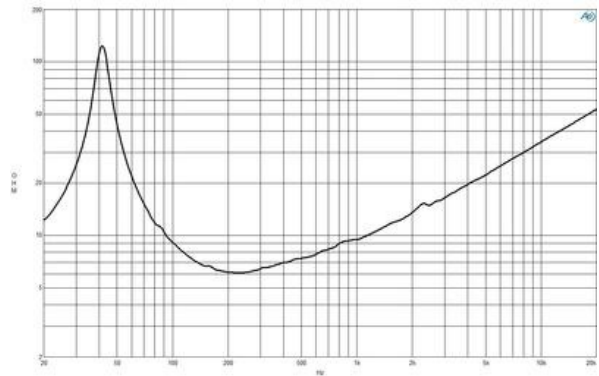
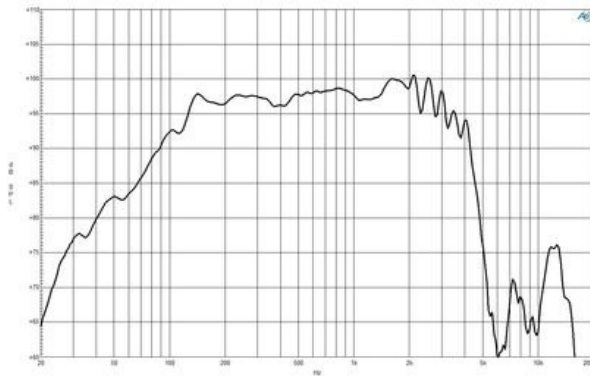
8Ω**LF Drivers - 14.0 Inches**

- 1000 W continuous program power capacity
- 76 mm (3 in) copper voice coil
- 40 - 3000 Hz response
- 99 dB sensitivity
- Very light yet powerful motor assembly
- Aluminium demodulating ring allows a very low distortion figure



14NDL76

LF Drivers- 14.0 Inches



SPECIFICATIONS

Nominal Diameter	359 mm (14.0 in)
Nominal Impedance	8 Ω
Minimum Impedance	6.1 Ω
Nominal Power Handling ¹	500 W
Continuous Power Handling ²	1000 W
Sensitivity ³	99.0 dB
Frequency Range	40 - 3000 Hz
Voice Coil Diameter	76 mm (3.0 in)
Winding Material	Copper
Former Material	Glass Fibre
Winding Depth	21.0 mm (0.83 in)
Magnetic Gap Depth	10.0 mm (0.4 in)
Flux Density	1.15 T

DESIGN

Surround Shape	Triple Roll
Cone Shape	Exponential
Magnet Material	Neodymium Inside Slug
Spider	Single
Pole Design	T-Pole
Woofer Cone Treatment	WP Waterproof Front Side
Recommended Enclosure	75.0 dm ³ (2.65 ft ³)
Recommended Tuning	53 Hz

PARAMETERS⁴

Resonance Frequency	41 Hz
Re	5.0 Ω
Qes	0.31
Qms	8.2
Qts	0.3
Vas	123.0 dm ³ (4.34 ft ³)
Sd	707.0 cm ² (109.59 in ²)
η_0	2.7 %
Xmax	8.0 mm
Xvar	9.5 mm
Mms	85.0 g
Bl	19.0 Txm
Le	1.1 mH
EBP	132 Hz

MOUNTING AND SHIPPING INFO

Overall Diameter	359 mm (14.13 in)
Bolt Circle Diameter	343 mm (13.5 in)
Baffle Cutout Diameter	323.0 mm (12.72 in)
Depth	161 mm (6.34 in)
Flange and Gasket Thickness	12 mm (0.47 in)
Air Volume Occupied by Driver	3.0 dm ³ (0.11 ft ³)
Net Weight	4.5 kg (9.92 lb)
Shipping Units	1
Shipping Weight	5.8 kg (12.79 lb)
Shipping Box	425x425x224 mm (16.73x16.73x8.82 in)

SERVICE KIT

RCK14NDL76

1. 2 hours test made with continuous pink noise signal within the range Fs-10Fs. Power calculated on rated nominal impedance. Loudspeaker in free air.
2. Power on Continuous Program is defined as 3 dB greater than the Nominal rating.
3. Applied RMS Voltage is set to 2.83 V for 8 ohms Nominal Impedance.
4. Thiele-Small parameters are measured after a high level 20 Hz sine wave preconditioning test.