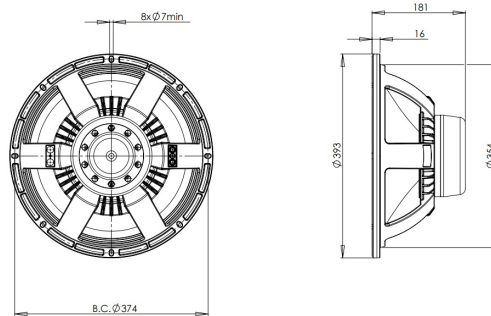


15NW100

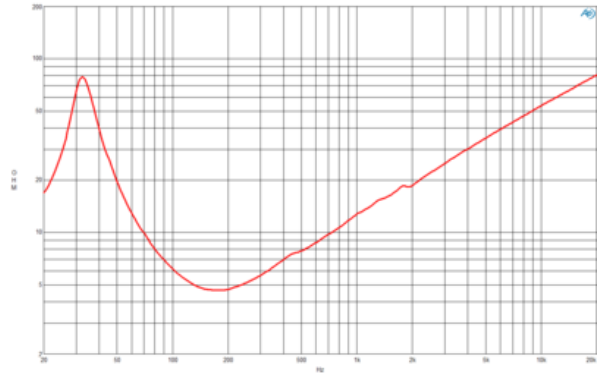
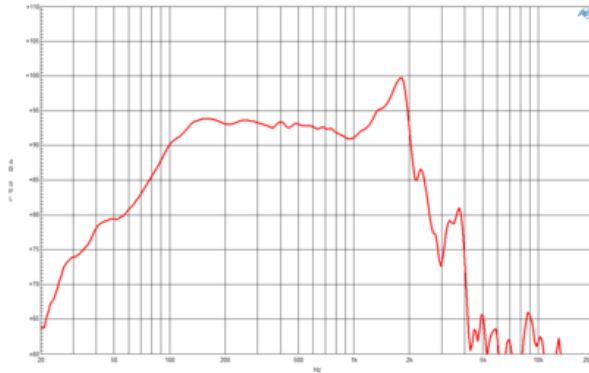
4Ω**LF Drivers - 15.0 Inches**

- 2000 W continuous program power capacity
- 100 mm (4 in) copper voice coil
- 35 - 1500 Hz response
- 95 dB sensitivity
- FEA optimized Neodymium magnet assembly
- Double silicone spider with optimized compliance
- Ventilated voice coil gap for reduced power compression



15NW100

LF Drivers- 15.0 Inches



SPECIFICATIONS

| | |
|--|------------------|
| Nominal Diameter | 380 mm (15.0 in) |
| Nominal Impedance | 4 Ω |
| Minimum Impedance | 4.7 Ω |
| Nominal Power Handling ¹ | 1000 W |
| Continuous Power Handling ² | 2000 W |
| Sensitivity ³ | 95.0 dB |
| Frequency Range | 35 - 1500 Hz |
| Voice Coil Diameter | 100 mm (4.0 in) |
| Winding Material | Copper |
| Former Material | Glass Fibre |
| Winding Depth | 25.0 mm (1.0 in) |
| Magnetic Gap Depth | 12.0 mm (0.5 in) |
| Flux Density | 1.2 T |

DESIGN

| | |
|-----------------------|---|
| Surround Shape | Triple Roll |
| Cone Shape | Radial |
| Magnet Material | Neodymium Inside Slug |
| Spider | Double Silicone |
| Pole Design | T-Pole |
| Woofer Cone Treatment | TWP Waterproof Both Sides |
| Recommended Enclosure | 100.0 dm ³ (3.53 ft ³) |
| Recommended Tuning | 40 Hz |

PARAMETERS⁴

| | |
|---------------------|--|
| Resonance Frequency | 34 Hz |
| Re | 3.7 Ω |
| Qes | 0.23 |
| Qms | 5.41 |
| Qts | 0.23 |
| Vas | 126.1 dm ³ (4.45 ft ³) |
| Sd | 855.0 cm ² (132.5 in ²) |
| η _o | 2.0 % |
| X _{max} | 9.0 mm |
| X _{var} | 11.0 mm |
| M _{ms} | 180.0 g |
| Bl | 24.54 Txm |
| Le | 1.74 mH |
| EBP | 147 Hz |

MOUNTING AND SHIPPING INFO

| | |
|-------------------------------|---|
| Overall Diameter | 393 mm (15.5 in) |
| Bolt Circle Diameter | 374 mm (14.7 in) |
| Baffle Cutout Diameter | 354.0 mm (13.9 in) |
| Depth | 181 mm (7.1 in) |
| Flange and Gasket Thickness | 16 mm (0.62 in) |
| Air Volume Occupied by Driver | 6.0 dm ³ (0.21 ft ³) |
| Net Weight | 8.6 kg (18.9 lb) |
| Shipping Units | 1 |
| Shipping Weight | 9.9 kg (21.83 lb) |
| Shipping Box | 425x425x224 mm (16.73x16.73x8.82 in) |

SERVICE KIT

RCK15NW1004

1. 2 hours test made with continuous pink noise signal within the range Fs-10Fs. Power calculated on rated nominal impedance. Loudspeaker in free air.
2. Power on Continuous Program is defined as 3 dB greater than the Nominal rating.
3. Applied RMS Voltage is set to 2V for 4 ohms Nominal Impedance.
4. Thiele-Small parameters are measured after a high level 20 Hz sine wave preconditioning test.

B&C Speakers s.p.a.

Via Poggiomoro, 1 - Loc. Vallina, 50012 Bagno a Ripoli (FI) - ITALY - Tel. +39 055 65721 - Fax +39 055 6572312 - mail@bcspeakers.com