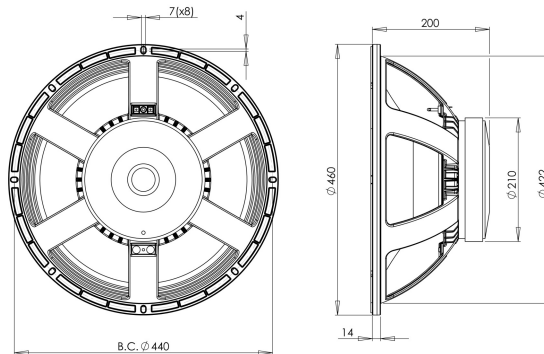


18RBX100

4Ω**LF Drivers - 18.0 Inches**

- 2000 W continuous program power capacity
- 100 mm (4 in) copper voice coil
- 35 - 1000 Hz response
- 97 dB sensitivity
- Aluminium demodulating ring allows a very low distortion figure
- Double silicone spider with optimized compliance

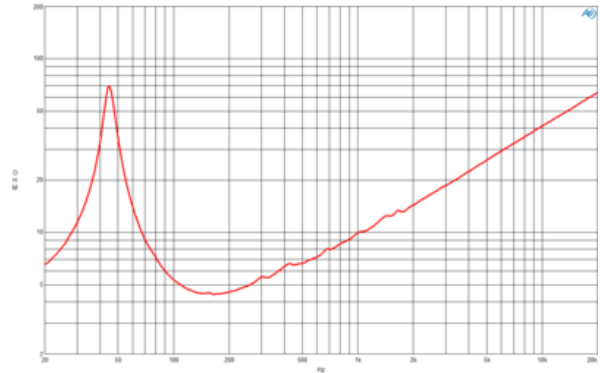
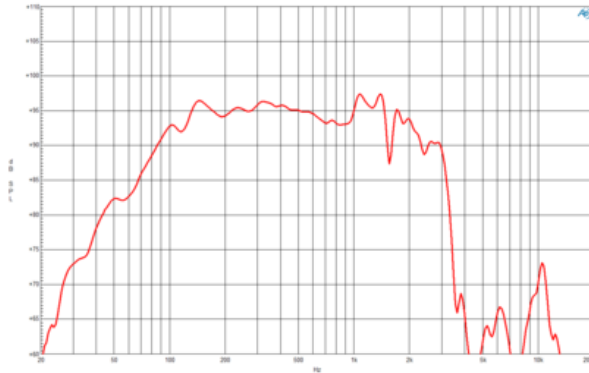


The new B&C 18RBX100 anchors our ferrite subwoofer line, and features an all new FEA optimized motor structure. The 25mm high, 4" (100mm) diameter copper wire voice coil is combined with a laminated double silicone spider, water resistant curvilinear cone and triple roll surround, for even more excursion and linearity.

The corrosion resistant motor structure incorporates an aluminum demodulation ring that effectively controls inductive rise as well as harmonic and intermodulation distortion. This subwoofer can be used for a wide variety of applications, including compact vented enclosures as small as 120 litres.

18RBX100

LF Drivers- 18.0 Inches



SPECIFICATIONS

| | |
|----------------------------------------|-------------------|
| Nominal Diameter | 460 mm (18.0 in) |
| Nominal Impedance | 4 Ω |
| Minimum Impedance | 4.5 Ω |
| Nominal Power Handling ¹ | 1000 W |
| Continuous Power Handling ² | 2000 W |
| Sensitivity ³ | 97.0 dB |
| Frequency Range | 35 - 1000 Hz |
| Voice Coil Diameter | 100 mm (4.0 in) |
| Winding Material | Copper |
| Former Material | Glass Fibre |
| Winding Depth | 25.0 mm (1.0 in) |
| Magnetic Gap Depth | 11.0 mm (0.43 in) |
| Flux Density | 1.1 T |

DESIGN

| | |
|-----------------------|-----------------------------------------------|
| Surround Shape | Triple Roll |
| Cone Shape | Curvilinear |
| Magnet Material | Ferrite |
| Spider | Double Silicone |
| Pole Design | T-Pole |
| Woofer Cone Treatment | TWP Waterproof Both Sides |
| Recommended Enclosure | 140.0 dm ³ (4.94 ft ³) |
| Recommended Tuning | 40 Hz |

PARAMETERS⁴

| | |
|---------------------|--------------------------------------------------|
| Resonance Frequency | 42 Hz |
| Re | 3.5 Ω |
| Qes | 0.41 |
| Qms | 8.0 |
| Qts | 0.4 |
| Vas | 136.0 dm ³ (4.8 ft ³) |
| Sd | 1225.0 cm ² (189.88 in ²) |
| η _o | 2.5 % |
| X _{max} | 10.0 mm |
| X _{var} | 13.0 mm |
| M _{ms} | 210.0 g |
| Bl | 22.0 Txm |
| Le | 1.2 mH |
| EBP | 102 Hz |

MOUNTING AND SHIPPING INFO

| | |
|-------------------------------|----------------------------------------------|
| Overall Diameter | 460 mm (18.11 in) |
| Bolt Circle Diameter | 440 mm (17.32 in) |
| Baffle Cutout Diameter | 422.0 mm (16.61 in) |
| Depth | 200 mm (7.87 in) |
| Flange and Gasket Thickness | 14 mm (0.55 in) |
| Air Volume Occupied by Driver | 10.5 dm ³ (0.37 ft ³) |
| Net Weight | 12.3 kg (27.12 lb) |
| Shipping Units | 1 |
| Shipping Weight | 13.9 kg (30.64 lb) |
| Shipping Box | 500x495x275 mm (19.69x19.49x10.83 in) |

SERVICE KIT

RCK18RBX1004

1. 2 hours test made with continuous pink noise signal within the range Fs-10Fs. Power calculated on rated nominal impedance. Loudspeaker in free air.
2. Power on Continuous Program is defined as 3 dB greater than the Nominal rating.
3. Applied RMS Voltage is set to 2V for 4 ohms Nominal Impedance.
4. Thiele-Small parameters are measured after a high level 20 Hz sine wave preconditioning test.

B&C Speakers s.p.a.

Via Poggiomoro, 1 - Loc. Vallina, 50012 Bagno a Ripoli (FI) - ITALY - Tel. +39 055 65721 - Fax +39 055 6572312 - mail@bcspeakers.com