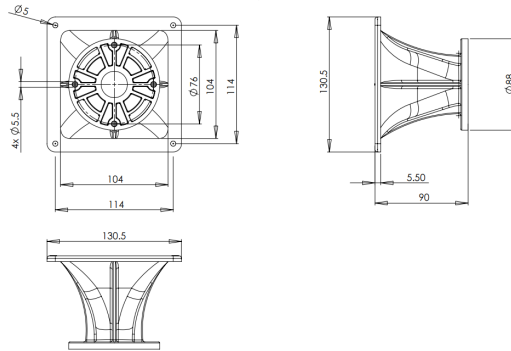


# ME10

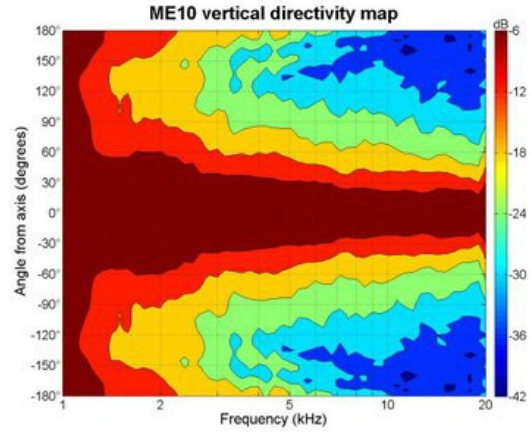
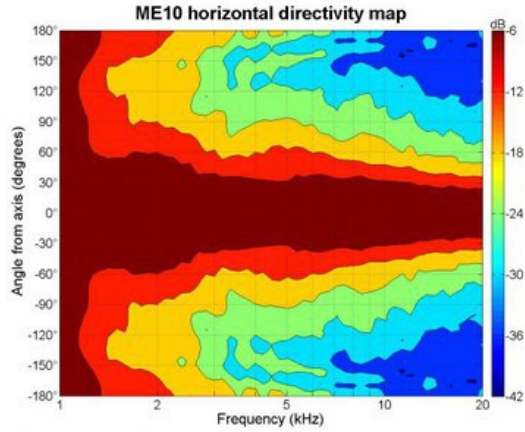
Horns - 1.0 Inches



- 1" throat entry
- 90° x 60° nominal coverage
- Hyperbolic cosine flare
- Very good loading down to 1.5 kHz

# ME10

Horns- 1.0 Inches



## SPECIFICATIONS<sup>1</sup>

Throat Diameter	25 mm (1.0 in)
Nominal Coverage Horizontal	90 °
Nominal Coverage Vertical	60 °
Cutoff Frequency	1.5 kHz
Material	ABS
Dimensions	130.5x130.5x90 mm (5.1x5.1x3.5 in)

## MOUNTING AND SHIPPING INFO

Baffle Cutout Dimension	104x104 mm (4.1x4.1 in)
Net Weight	0.15 kg (0.33 lb)
Shipping Units	20
Shipping Weight	6.0 kg (13.2 lb)
Shipping Box	540x350x390 mm (21.2x13.8x15.3 in)

1. Horn mounted on B&C DE 10 compression driver.