



APPLICATIONS

- Permanent installations in:
Theatres, Concert Halls, Clubs, Places of Worship,
Conference Rooms, Indoor Sports, Arenas & Stadiums
- Sound reinforcement for live events:
Touring, Bands, Orchestras

FEATURES

- 15mm / 0.59" birch plywood enclosure
- Class D amplifier delivering 1200W RMS
- 320mm/2x12" B&C neodymium magnet with 75mm/3" coil
- Frequency response 45Hz - 120Hz
- DSP on board with 8 presets
- Input panel with XLR «in&link», volume preset, delay, phase, GND lift switch
- SPL capability 138dB
- Wide range of hardware accessories for flying and ground stacked configurations
- Completely Manufactured in Italy

PROCESSED FLYABLE ACTIVE SUBWOOFER



PRODUCT DESCRIPTION

The FBT MITUS 212FSA powered subwoofer meet the following performance criteria: frequency response of 45Hz to 120Hz, peak output of 138dB half-space. The FBT MITUS 212FSA is a vented band-pass design incorporating 2x12" B&C neodymium magnet high excursion woofers with 3" voice coil. The modularity of the FBT MITUS 212FSA makes it extremely flexible for a wide range of applications, from a small system to an elaborate line array system consisting of up to 12 MITUS 206LA cabinets along with multiple FBT MITUS 212FSA subs for large concert events. The FBT MITUS 212FSA provides a DSP with 8 presets cardioid and infra configurations, delay. The control panel provides XLR «in&link», volume, preset, delay, phase 0°-180°, ground lift switch. The MITUS 212FSA feature Baltic birch plywood construction covered in a scratch resistant black paint with a M20 top-mounted stand adapter.

ELECTRICAL PERFORMANCE

System Type:	vented band pass
Built in amplifier *	cont.: 800W RMS max.: 1200W RMS peak.: 2400W
Frequency Response @ -6dB	45Hz - 120Hz
Maximum SPL (continuous / peak) **	134dB / 138dB
Dispersion	omnidirectional
Crossover Frequency	preset dependant
AC Power requirement	640 VA

PHYSICAL

Low Frequency Woofer	2 x 12" - 3" coil
Input Connectors	XLR with loop
Net Dimensions (WxHxD)	22.6" x 16.5" x 26" 574 x 420 x 660mm
Shipping Dimensions (WxHxD)	30.9" x 20.47" x 27.95" 785 x 520 x 710mm
Net Weight	80.5 lbs / 36.5 kg
Shipping Weight	90.4 lbs x 41 kg
Enclosure Material	birch plywood

* CONT.: 500mS, rms power on nominal speaker impedance
MAX.: 2mS burst, rms power on nominal speaker impedance
MAX PEAK: based on max peak output voltage and nominal speaker impedance

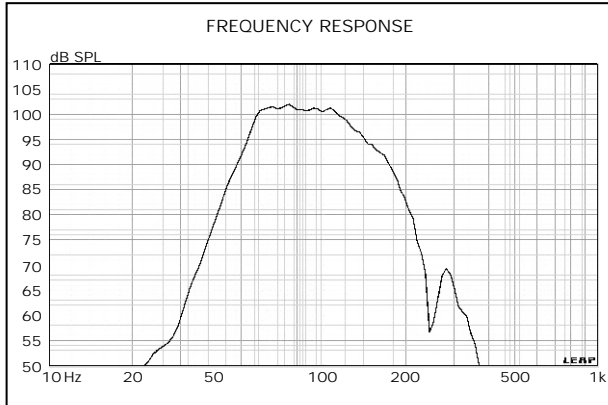
** CONT. SPL: half space, based on continuous power amp rating and LF transducer average sensitivity data, 125mS time average
PEAK SPL: half space, based on max peak power amp rating and system peak sensitivity, 10mS time average



MITUS

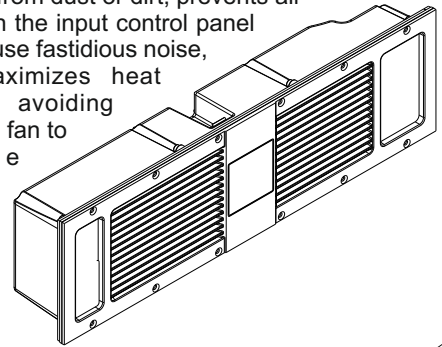
212FSA

DIAGRAMS

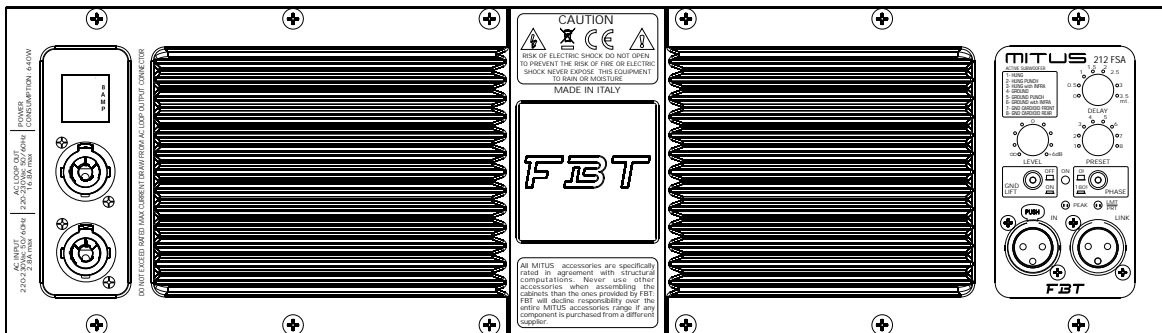


AMPLIFIER MODULE

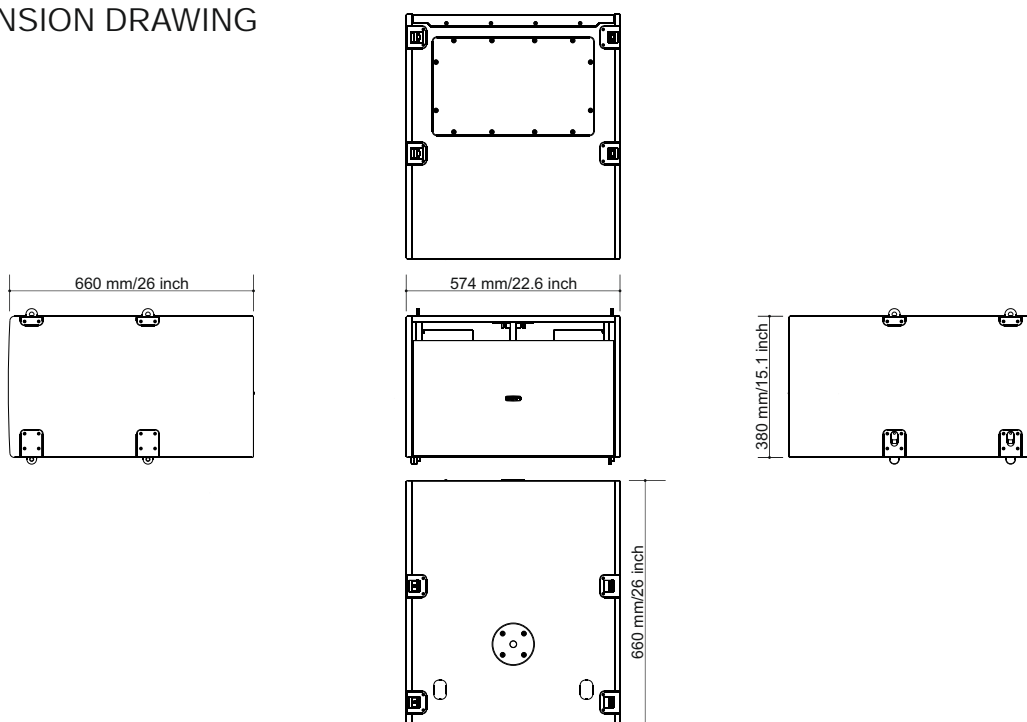
The FBT MITUS 212FSA provides a high efficiency class D power amplifier module with switching power supply enclosed in a die-cast aluminium chassis. This provides maximum protection of the electronics from dust or dirt, prevents air loss through the input control panel that can cause fastidious noise, and it maximizes heat dissipation avoiding the use of a fan to cool the circuitry.



CONNECTION PANEL



DIMENSION DRAWING

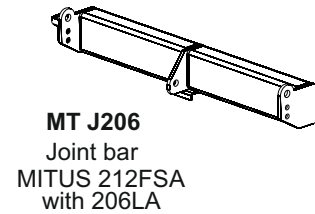
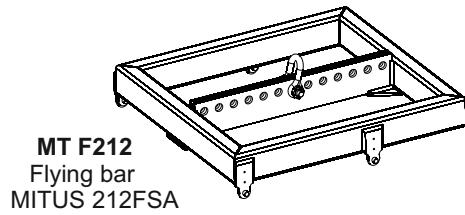




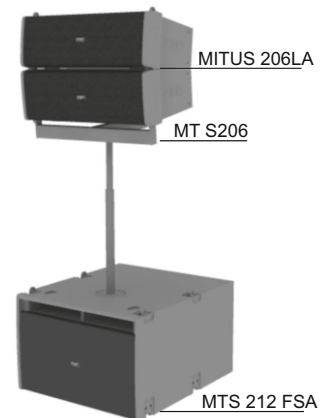
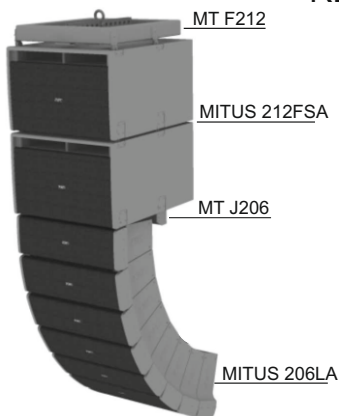
MITUS

212FSA

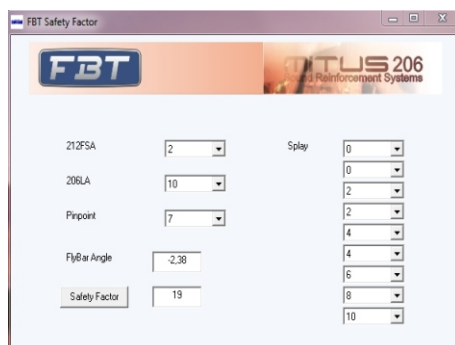
ACCESSORIES



RECOMMENDED CONFIGURATIONS



MITUS 206L_FLYING



FBT will place at disposal a software called MITUS 206L_FLYING wich helps calculating the safety factor of the weakest point of MITUS 206LA-MITUS 212FSA unit suspension system according to the used configuration and a software called EASE FOCUS that permits an accurate simulation of the mechanical and acoustic behaviour of the MITUS series line array system.

EASE FOCUS

