

10. Maintenance and cleaning

It is absolutely essential that the fixture is kept clean and that dust, dirt and smoke-fluid residues must not build up on or within the fixture. Otherwise, the fixture's light-output will be significantly reduced. Regular cleaning will not only ensure the maximum light-output, but will also allow the fixture to function reliably throughout its life. A soft lint-free cloth moistened with any good glass cleaning fluid is recommended, under no circumstances should alcohol or solvents be used!

DANGER !
Disconnect from the mains before starting any maintenance work

The front objective lens will require weekly cleaning as smoke-fluid tends to building up residues, reducing the light-output very quickly. The cooling-fans should be cleaned monthly.

The interior of the fixture should be cleaned at least annually using a vacuum-cleaner or an air-jet. Dichroic colour filters, CMY lamellas, gobo and graphic wheels and the internal lenses should be cleaned monthly. Remove dust and dirt from the fans and cooling vents using a soft brush and vacuum-cleaner.

Important! Check the air filters periodically and clean before they become clogged!

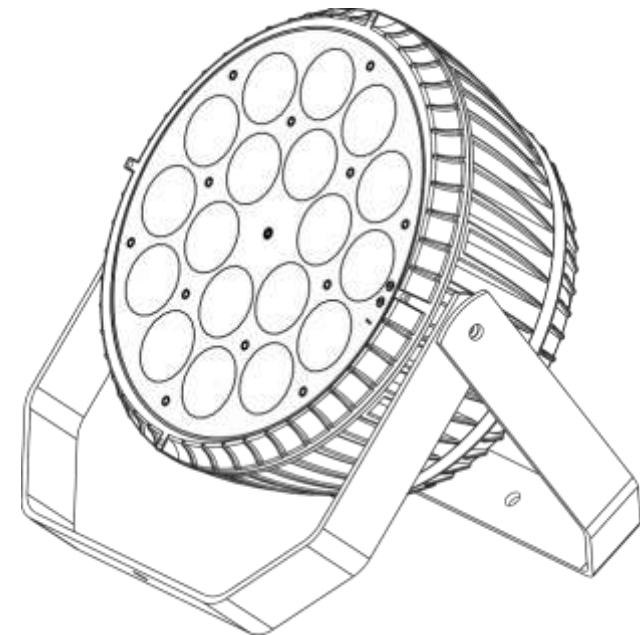
Clean two air filters placed in the fixture's covers and two in the fixture base. Use a vacuum cleaner, compressed air or you can wash them and put back dry.

After replacing the air filters, reset the elapsed time counter in the menu "Information" (Information--->Air Filters--->Elapsed Time).

Replacing the fuse. Before replacing the fuse, unplug mains lead.

- 1) Remove the fuse holder on the rear panel of the base with a fitting screwdriver from the housing (anti-clockwise).
- 2) Remove the old fuse from the fuse holder.
- 3) Install the new fuse in the fuse holder (only the same type and rating).
- 4) Replace the fuseholder in the housing and fix it.

Liberty Par 1810IP



Version 1.0

USER MANUAL

- Be sure to read the USER MANUAL carefully before using this product.
- Be sure to keep the USER MANUAL properly for future needs.
- Use this product correctly when you can fully understand the User Manual

1. Safety instructions

Thank you for choosing our Liberty Par 1810IP . FOR YOUR OWN SAFETY, PLEASE READ THIS USER MANUAL CAREFULLY BEFORE YOU INITIAL START - UP!

CAUTION!
Be careful with your operations.
With a high voltage you can suffer a dangerous electric shock when touching the wires!

This device has left our premises in absolutely perfect condition. In order to maintain this condition and to ensure a safe operation, it is absolutely necessary for the user to follow the safety instructions and warning notes written in this manual.

CAUTION!
Keep this device away from rain and moisture!
Unplug mains lead before opening the housing!

Important:

The manufacturer will not accept liability for any resulting damages caused by the non-observance of this manual or any unauthorized modification to the device.

Please consider that damages caused by manual modifications to the device are not subject to warranty.

During the operation the housing becomes hot). Allow the fixture to cool approximately 20 minutes prior to manipulate with it.

Make sure that the available voltage is not higher than stated on the rear panel.

WARNING! This unit does not contain an ON/OFF switch. Always disconnect power input cable to completely remove power from unit when not in use or before cleaning or servicing the fixture.

Make sure that the power-cord is never crimped or damaged by sharp edges. Check the device and the power-cord from time to time.

Always disconnect from the mains, when the device is not in use or before cleaning it. Only handle the power-cord by the plug. Never pull out the plug by tugging the power cord.

This device falls under protection class I. Therefore it is essential to connect the yellow/green conductor to earth.

The electric connection, repairs and servicing must be carried out by a qualified employee.

Do not connect this device to a dimmer pack.

Do not switch the fixture on and off in short intervals as this would reduce the lamp's life.

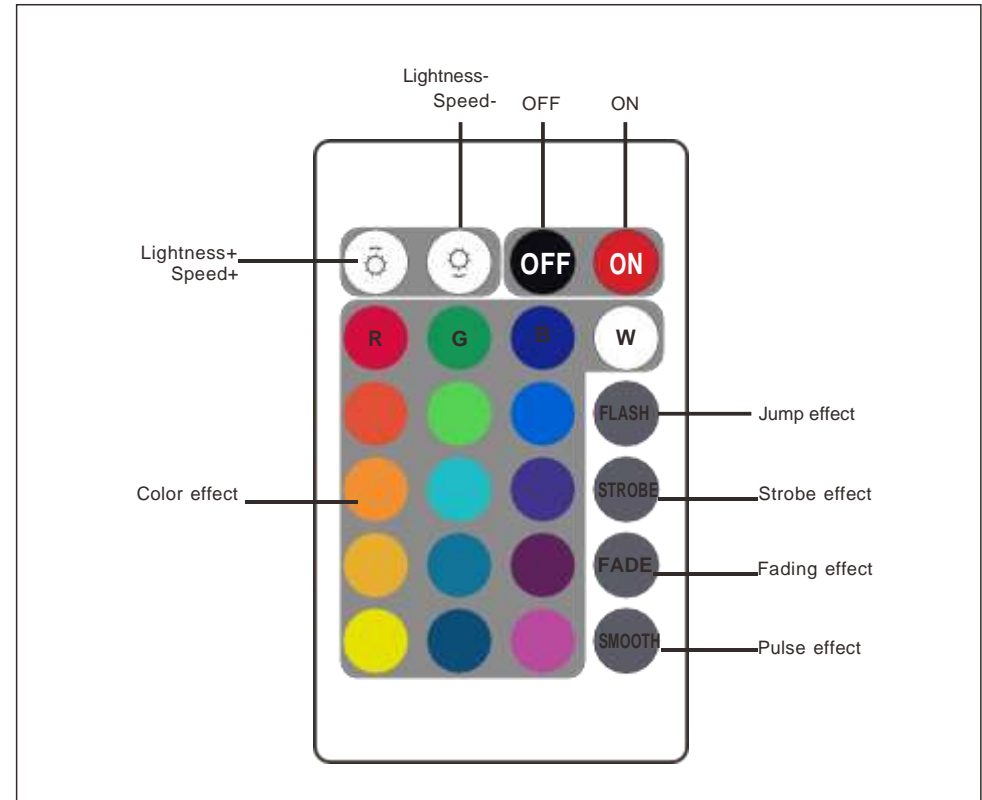
During the initial start-up some smoke or smell may arise. This is a normal process and does not necessarily mean that the device is defective.

Do not touch the device's housing bare hands during its operation (housing becomes hot)!

For replacement use lamps and fuses of same type and rating only.

CAUTION ! EYE DAMAGES !
Avoid looking directly into the light source
(meant especially for epileptics) !

10. IR Remote Controller Instruction



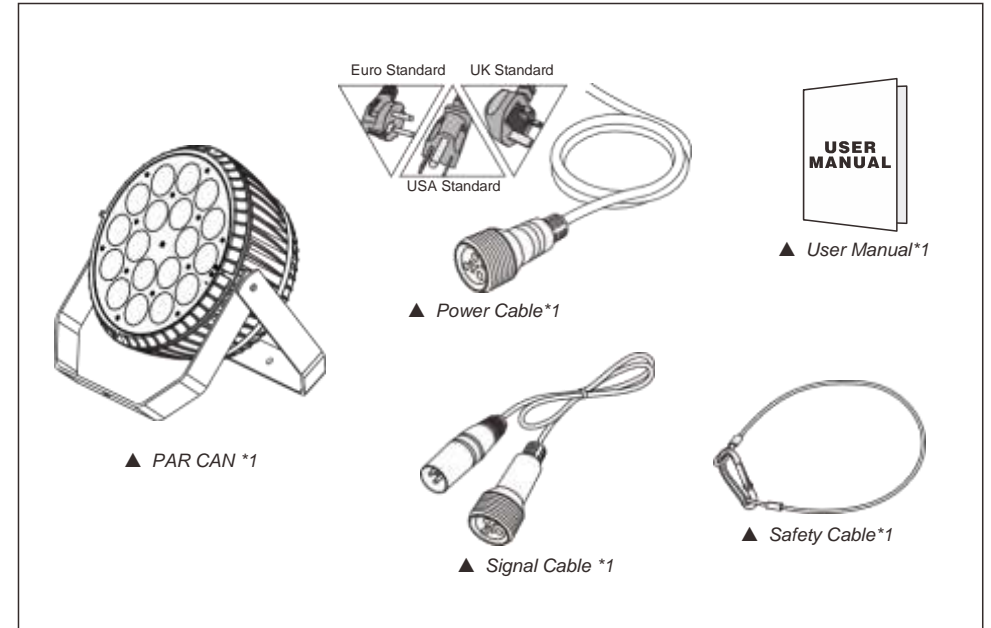
Tips:

1. The light can be controlled by IR controller while don't receive DMX signal. Please remove the battery separator of controller, before using the remote controller
2. If you want to quit the strobe function after the strobe effect is turned on, please press "ON" again.

15	7	G	Macro
		0..15	No Function
		16..31	Red
		32..47	Green
		48..63	Blue
		64..79	White
		80..95	Red+Green
		96..111	Red+Blue
		112..127	Red+White
		128..143	Green+Blue
		144..159	Green+White
		160..175	Blue+White
		176..191	R+G+B
		192..207	R+G+B+W
		208..223	Jump effect
224..239	Fading effect		
240..255	Pulse-effect		
16	8		Macro Speed
		0..255	Macro Speed from Slow To Fast
17	9		Special function
		0..19	No function
		20..29	No function
		30..39	No function
		40..79	No function
		80..84	No function
		85..94	No function
		95..99	No function
		100..119	Internal program 1
		120..139	Internal program 2
		140..159	Internal program 3
		160..179	Internal program 4
		180..199	Internal program 5
		200..219	Internal program 6
220..239	Internal program 7		
240..255	Internal Sound program 1		

2.UNPACKING

Liberty Par 1810IP adopts a 10W white LED lamp which features high brightness and stability. Please carefully unpack it when you receive the fixture and check whether it is damaged during the transportation. And please check whether the following items are included inside the box:



Liberty Par 1810IP is made of a new type of high temperature strength of engineering plastics and cast aluminum casing with nice outlook . The fixture is designed and manufactured strictly following CE standards, complying with international standard DMX512 protocol. It's available independently controlled and linkable with each other for operation. And it is applicable for large-scale live performances, theater, studio, nightclubs and discos.

This manual covers the important information on installation and applications. Meanwhile, please keep this manual well for future needs.

3. TECHNICAL INFORMATION

SPECIFICATIONS:

LED Quantities: 18pcs*5W 4-IN-1 LEDs(RGBW)
 Input Voltage: AC90-260V 50-60Hz
 Battery type: Lithium ion
 Battery charge time: 5.5 hours(0-100%)
 Max-endurance: 8 hours(Full power) 8~12 hours(built-in program)
 Battery protection: Short circuit protection, over current protection,overow charging
 Control Signal:DMX512, master-slave and sound activated or auto operation
 Control Channel: 17/9 DMX Channels USITT DMX-512
 Dimensions: 344(D)*156(W)*337(H)mm
 Packing Dimensions: 390(D)*215(W)*410(H)mm
 Net Weight: 8kgs
 Gross Weight: 10.5kgs

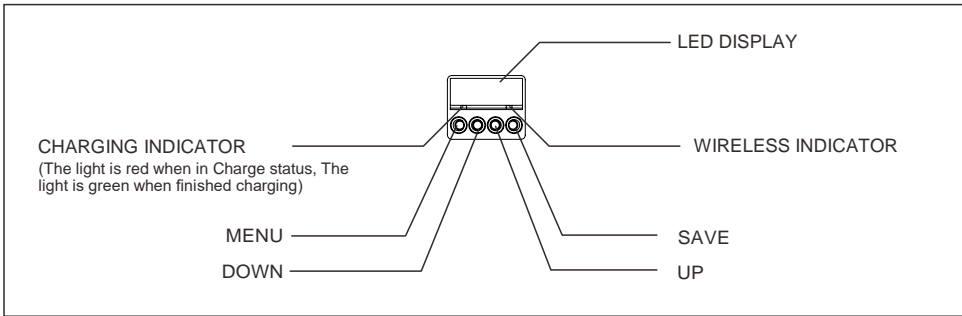
FEATURES:

50,000 hours life span and low power consumption
 Aluminum die-casting structure design with optimum
 Cooling system
 Infinite RGBW color mixing system and rainbow effect
 16.7million additive RGBW colors whit full saturationcontrol
 Built-in programs that could be called up via a DMXcontroller
 25t/s strobe effect and pulse strobe effect
 0-100% electronic dimming and blackout for all LEDs
 4-button LED display on rear panel
 Dual bracket system available for setting the fixture on the ground or hanging
 Linkable via 3-Pin XLR cables
 Overheat protection
 -0°C ~ 45°C max ambient temperature
 TO.8A fuse

9.DMX PROTOCOL

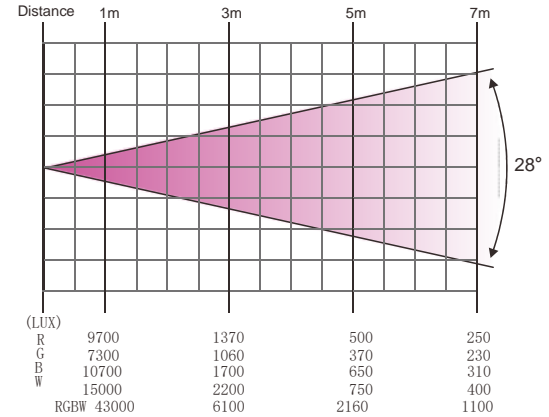
Mode/Channel		Value	Function
CH17	CH09		
1	1		Dimmer
		0..255	Dimmer 0%...100%
2	2		Shutter
		0..31	Shutter closed
		32..63	shutter open
		64..95	Strobe effect slow to fast
		96..127	shutter open
		128..159	Pulse-effect in sequences slow to fast
		160..191	shutter open
		192..223	Random strobe effect slow to fast
224..255	shutter open		
3	3		Red
		0..255	0-100% Red dimmer from dark to bright
4	4		Green
		0..255	0-100% Green dimmer from dark to bright
5	5		Blue
		0..255	0-100% Blue dimmer from dark to bright
6	6		White
		0..255	0-100% White dimmer from dark to bright
7			Red1
		0..255	0-100% Red1 dimmer from dark to bright
8			Green1
		0..255	0-100% Green1 dimmer from dark to bright
9			Blue1
		0..255	0-100% Blue1 dimmer from dark to bright
10			White1
		0..255	0-100% White1 dimmer from dark to bright
11			Red2
		0..255	0-100% Red2 dimmer from dark to bright
12			Green2
		0..255	0-100% Green2 dimmer from dark to bright
13			Blue2
		0..255	0-100% Blue2 dimmer from dark to bright
14			White2
		0..255	0-100% White2 dimmer from dark to bright

8.MENU OPERATIONS



MENU		Description		
MODE	ADDR	VALU	A001~AXXX(AXXX) DMX address setting	
		SLAV	ON/OFF(SLAV) Standard mode	
	AUTO	IP1~8	ALON(AU-A) Internal program(Alone)	
		MAST(AU-M)	Auto run(Master)	
SOUN	IP1~8	ALON(SO-A)	Sound control(Alone)	
		MAST(SO-M)	Sound setting(Master)	
SET	MIC	M-XX	Mic sensitivity setting	
	LODA	ON/OFF	Reload data	
	VER	V-1.0~V-9.9	Software version	
	CALL	Code(password:088)		Input password
		CH01--CH12		Calibration
	SIGS	WD		Wire DMX input
		WLD		Wireless DMX input
		WLDO		Wireless signal to signal output
DMX	CH17		17CH	
	CH09		09CH	
REST	ON/OFF		Total reset	
TEMP	TXXX		Current temperature	
BAT	AXXX		Remain electricity capacity of internal battery	
	"Enter" button in Address page same time for 3 second, to clean DMX code matching.		Remain electricity capacity of external battery	
	tery electricity capacity showed when display darkened.			

4.PHOTOMETRICS DIAGRAM



5.OPERATION INSTRUCTIONS

- Liberty Par 1810IP is for wash effect for on-site decoration purpose.
- Don't turn on the fixture if it's been through severe temperature difference like after transportation because it might damage the light due to the environment changes. So make sure to operate the fixture until it is in normal temperature.
- This light should be kept away from strong shaking during any transportation or movement.
- Don't pull up the light by only the head, or it might cause damages to the mechanical parts.
- Don't expose the fixture in overheat, moisture or environment with too much dust when installing it. And don't lay any power cables on the floor. Or it might cause electronic shock to the people.
- Make sure the installation place is in good safety condition before installing the fixture.
- Make sure to put the safety chain and check whether the screws are screwed properly when installing the fixture.
- Make sure the lens are in good condition.It's recommended to replace the units if there are any damages or severe scratch.
- Make sure the fixture is operated by qualified personnel who knows the fixture before using.
- Keep the original packages if any second shipment is needed.
- Don't try to change the fixtures without any instruction by the manufacturer or the appointed repairing agencies.
- It is not in warranty range if there are any malfunctions from not following the user manual to operate or any illegal operation, like shock short circuit, electronic shock , lamp broke, etc.

6. INSTALLATIONS

Cautions:

For added protection mount the fixtures in areas outside walking paths, seating areas, or in areas where the fixture might be reached by unauthorized personnel.

Before mounting the fixture to any surface, make sure that the installation area can hold a minimum point load of 10 times the device's weight.

Fixture installation must always be secured with a secondary safety attachment, such as an appropriate safety cable.

Never stand directly below the fixture when mounting, removing, or servicing the fixture.

from a ceiling, or set on a flat level surface (see illustration below). Be sure this fixture is kept at least 0.5m (1.5 ft) away from any flammable materials (decoration etc.).

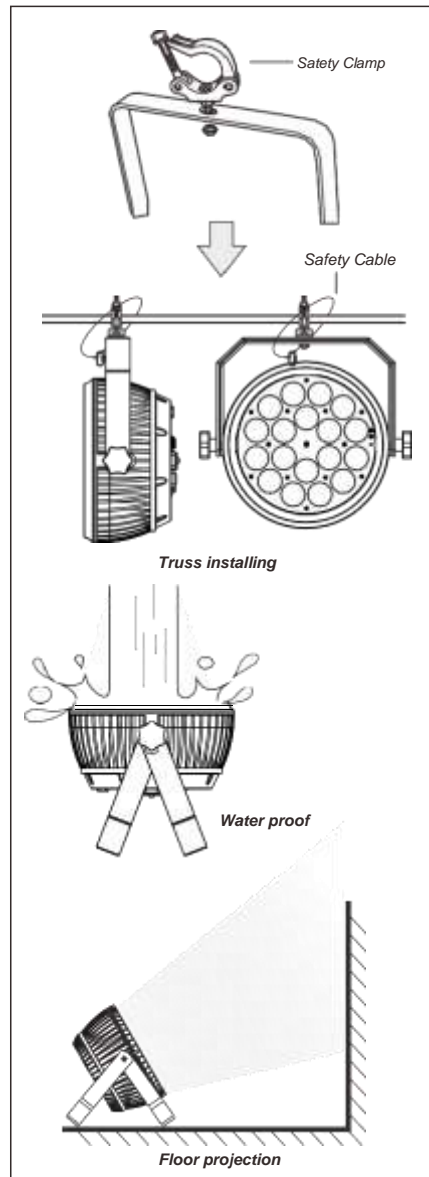
Always use and install the supplied safety cable as a safety measure to prevent accidental damage and/or injury in the event the clamp fails.

Mounting points:

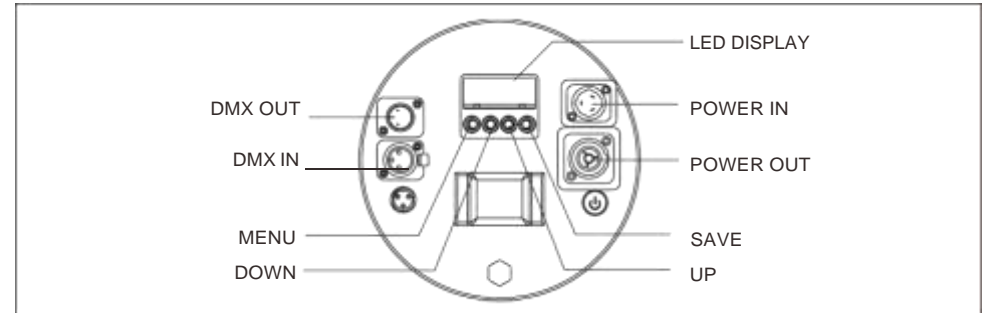
Overhead mounting requires extensive experience, including amongst others calculating working load limits, a fine knowledge of the installation material being used, and periodic safety inspection of all installation material and the fixture. If you lack these qualifications, do not attempt the installation yourself. Improper installation can result in bodily injury. Be sure to complete all rigging and installation procedures before connecting the main power cord to the appropriate wall outlet.

Clamp Mounting:

The Liberty Par 1810IP provides a unique mounting bracket assembly that integrates the bottom of the base, and the safety cable rigging point in one unit (see the illustration below). When mounting this fixture to truss be sure to secure an appropriately rated clamp to the included omega bracket using a M10 screw fitted through the center hole of the handle. As an added safety measure be sure to attached at least one properly rated safety cable to the fixture using on of the safety cable rigging point integrated in the base assembly .



7. CONTROL CONNECTION



Connect the provided XLR cable to the female 3-pin XLR output of your controller and the other side to the male 3-pin XLR input of the moving head. You can chain multiple Moving head together through serial linking. The cable needed should be two core, screened cable with XLR input and output connectors. Please refer to the diagram below. DMX-512 connection with DMX terminator.

For installations where the DMX cable has to run a long distance or is in an electrically noisy environment, such as in a discotheque, it is recommended to use a DMX terminator. This helps in preventing corruption of the digital control signal by electrical noise. The DMX terminator is simply an XLR plug with a 3 resistor connected between pins 2 and 3, which is then plugged into the output XLR socket of the last fixture in the chain. Please see illustrations below.

