

**Preamplifier
CPR12**

AUDAC

PROFESSIONAL AUDIO EQUIPMENT

CPR12 Preamplifier



User Manual & Installation Guide

AUDAC PROFESSIONAL AUDIO EQUIPMENT

User Manual & Installation Guide

© AUDAC
<http://www.audac.eu>
info@audac.eu

Index

INTRODUCTION	3
ENVIRONMENT	4
SAFETY REQUIREMENTS	5
CAUTION – SERVICING	5
OVERVIEW FRONT AND REAR PANEL OF THE CPR12	6
FRONT	6
REAR	6
DETAILS FRONT AND REAR PANEL OF THE CPR12	7
FRONT PANEL	7
REAR PANEL.....	9
CONNECTIONS	11
CONNECTOR AND CABLE CONFIGURATION	12
BLOCK DIAGRAM	14
ADDITIONAL INFORMATION CPR12	15
TECHNICAL SPECIFICATIONS.....	15
PERSONAL NOTES	16

Introduction

This section briefly describes the possibilities of the CPR12 Preamplifier.

The CPR12 Preamplifier was developed as an easy to use, flexible solution for multifunctional use.

During the development of the CPR12, the AUDAC-engineers wanted to achieve four goals:

- Delivering a flexible audio solution to control multiple functions
- Easy to use
- Excellent sound quality
- Modern and advanced design

The CPR12 can be used in commercial applications such as restaurants, hotels, shops, warehouses, professional offices, public buildings, ...

Environment

Do not place this unit in an enclosed environment such as a bookshelf or closet. Ensure that there is adequate ventilation to cool the unit. Do not block the ventilation openings.

Do not place the unit in environments which contain high levels of dust, heat, moisture or vibration.

Do not use the unit near water or other liquids. Make sure no water or other liquids can be spilled, dripped or splashed on the unit.

This unit was developed for indoor use only. Do not use it outdoors.

Do not place objects on top of the unit.

Place the unit on a stable base.

Safety Requirements

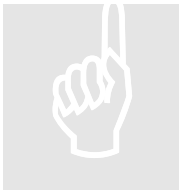
Always handle the unit with care.

Only use a grounded socket outlet and a power cord with grounding plug to plug in the unit.

This unit is not a toy. It should not be operated by children.

Do not stick objects through the openings of the CPR12.

Do not open the unit (risk for electrical shock).



CAUTION – SERVICING

This unit contains no user serviceable parts. Refer all servicing to qualified service personnel. Do not perform any servicing unless you are qualified to do so.

Note

This product conforms to the following European Standards: EN 50081-1: 1992, EN 50082-1: 1992, EN 60065: 1994

Overview front and rear panel of the CPR12

FRONT PANEL



REAR PANEL



Details front and rear panel of the CPR12

FRONT PANEL



1. Trim Controls

These controls allow variable input level. They have 44dB adjustable ranges - 60dB to -16dB for microphone level and -30dB to +14dB for line level.

2. Signal Indicators

These indicators show the present input signal on each input channel.

3. Peak Indicators

These indicators warn against clipping shortly on each input channel. When the peak indicator is flickering, you should adjust the Trim Controls to achieve the best result.

4. Input Channel Fader

These faders allow you to adjust the level for each input channel.

5. Input Channel EQ Controls

6 MIC input channels have 3 bands equalizers which are adjustable over a wide range.

6. PFL Switches

This switch allows you to monitor the pre-fader signal of the input channel through the monitor speaker.

7. Output Channel Selectors

These selectors allow each input signal to be routed to the selected output channel.

8. Output Channel EQ Controls

Output channels have 2 bands equalizers which are adjustable over a wide range.

9. Output Channel Fader

These faders allow level adjustment for main output channels.

10. Clip Indicators

These indicators warn against clipping shortly on each output channel. When the peak indicator is flickering, you should adjust the Trim Controls to achieve the best result.

11. Output Level Meters

These indicators show the output signal level.

12. AFL Switches

This switch allows you to monitor the selected main output signal through to the output channel through the monitor speaker.

13. Monitor Level Control

This control allows you adjust the signal level of the monitor speaker.

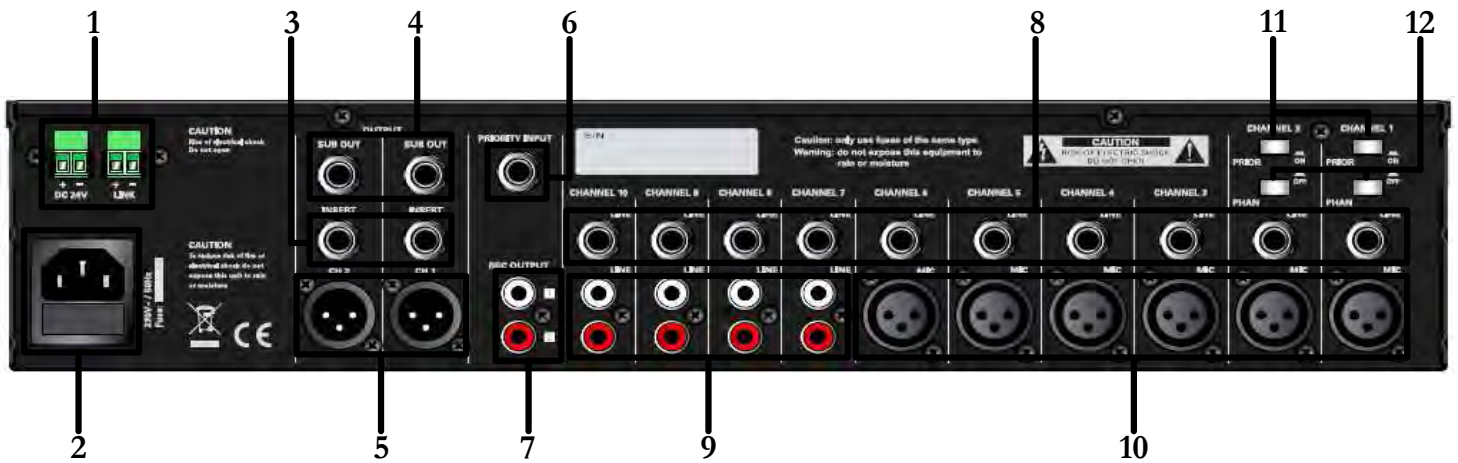
14. Power Indicator

This indicator shows the power on/off status.

15. Power Switch

The device will be supplied with power when this switch is pressed and locked.

REAR PANEL



1. DC 24V Input and Link Output

The device will be supplied by the DC 24V input terminal and will supply power to other devices by the link output terminal.

2. AC Inlet

This AC inlet (230V, 50Hz) allows you to replace the fuse conveniently. Please check the value of the fuse before replacement.

3. Channel Insert

These insert jacks allow you to connect external effectors like compressors, limiters and noise filters. Use the proper insert cable.

4. Sub Output

The sub amplifier will be connected to this output terminal. The output signal is a fixed level signal.

5. Main Output

The main amplifier will be connected to this output terminal.

6. Priority Input

All input signals will be muted automatically by the priority input signal. This terminal will be used for evacuation announcement.

7. Record Output

This terminal allows recording with a recording device.

8. Line Inputs 6,3 mm jack stereo

These line inputs can be connected to line level equipments. This device allows connecting up to 10 balanced and unbalanced inputs.

9. Line Inputs 2xRCA/Cinch

These line inputs can be connected to line level equipments. This device allows connecting up to 4 stereo line inputs.

10. Microphone Inputs

This device allows you to connect 6 balanced microphone inputs with an acceptable wide impedance range from 50ohm to 600ohm.

11. Priority Switches

These switches define the priority of MIC channel 1 and 2. All other input signals except the priority input channel are muted when this function is activated and there is a signal on one of the two channels. MIC channel 1 and 2 have the same priority grade as the priority input channel if these switches are pressed.

12. Phantom Power Switches

This device supplies DC+15V phantom power to use a condenser microphone with MIC1 and 2 channels.

Connections

AUDAC products are wired to reflect accepted wiring practices used throughout the world.

Balanced XLR connectors are wired as described:

Pin #1 Shield

Pin #2 Positive

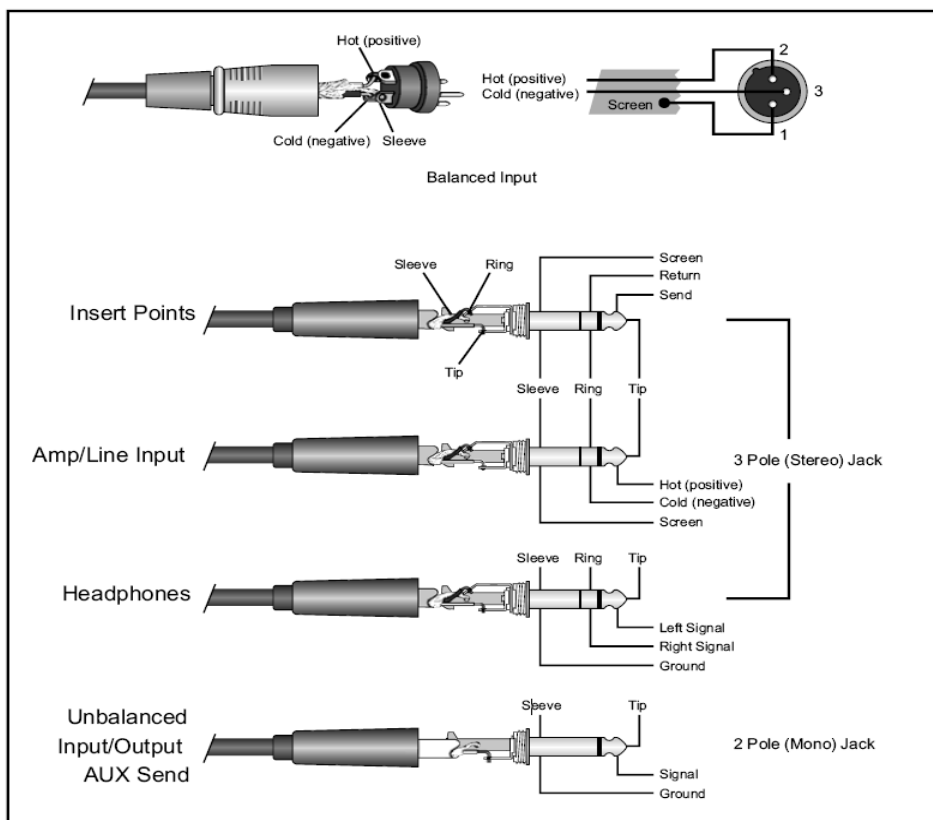
Pin #3 Negative

Balanced 1/4" TRS connectors are wired as described:

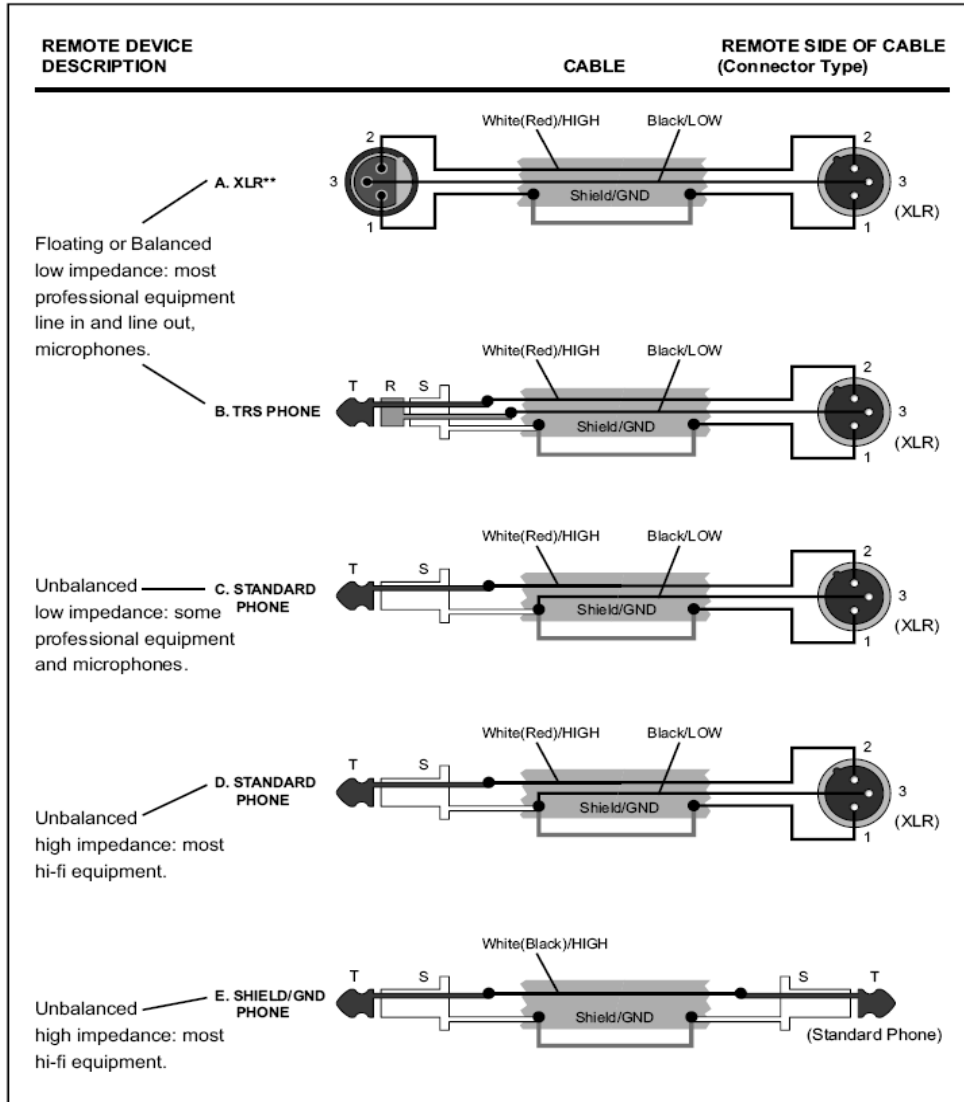
Tip is Positive

Ring is Negative

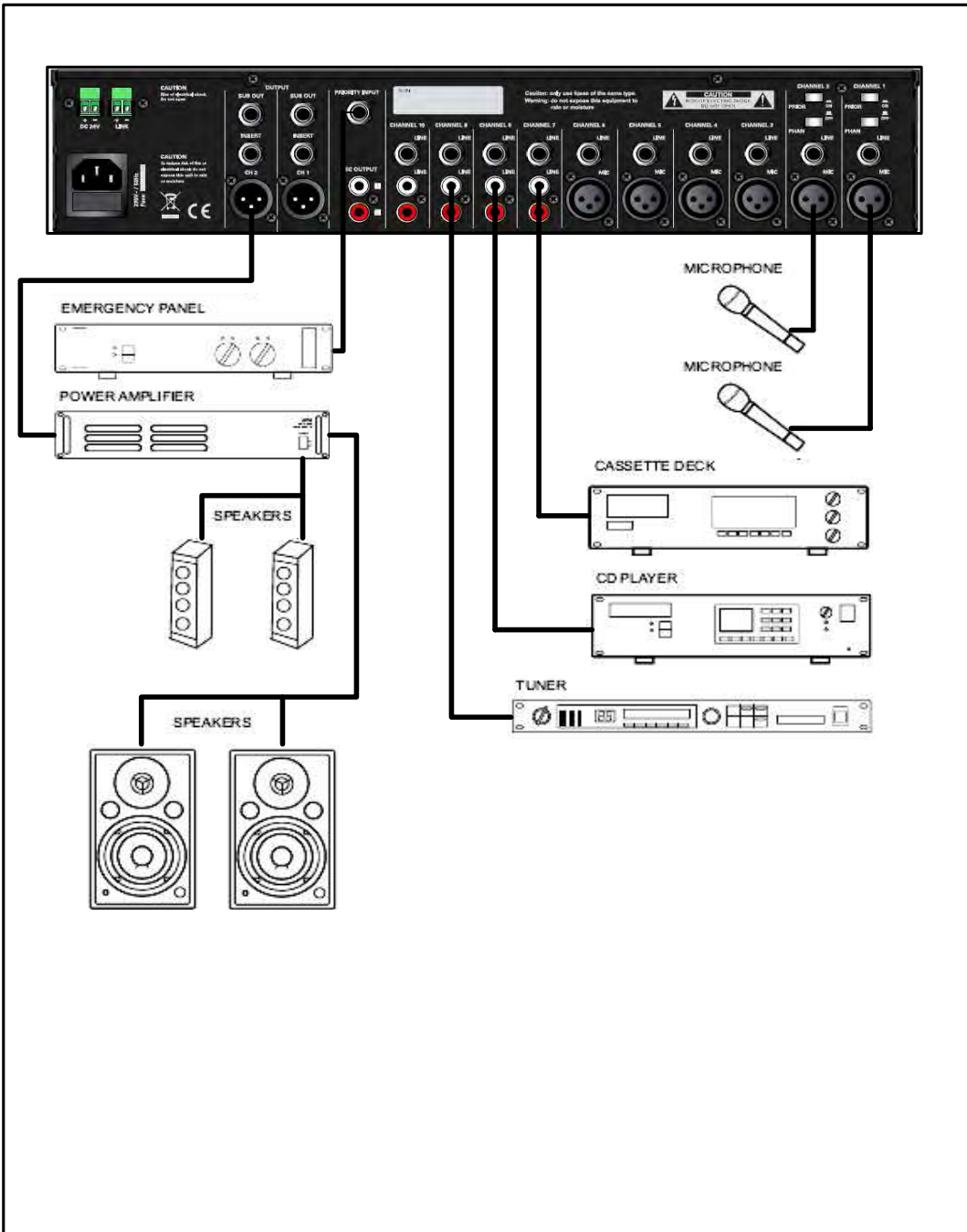
Sleeve is Shield



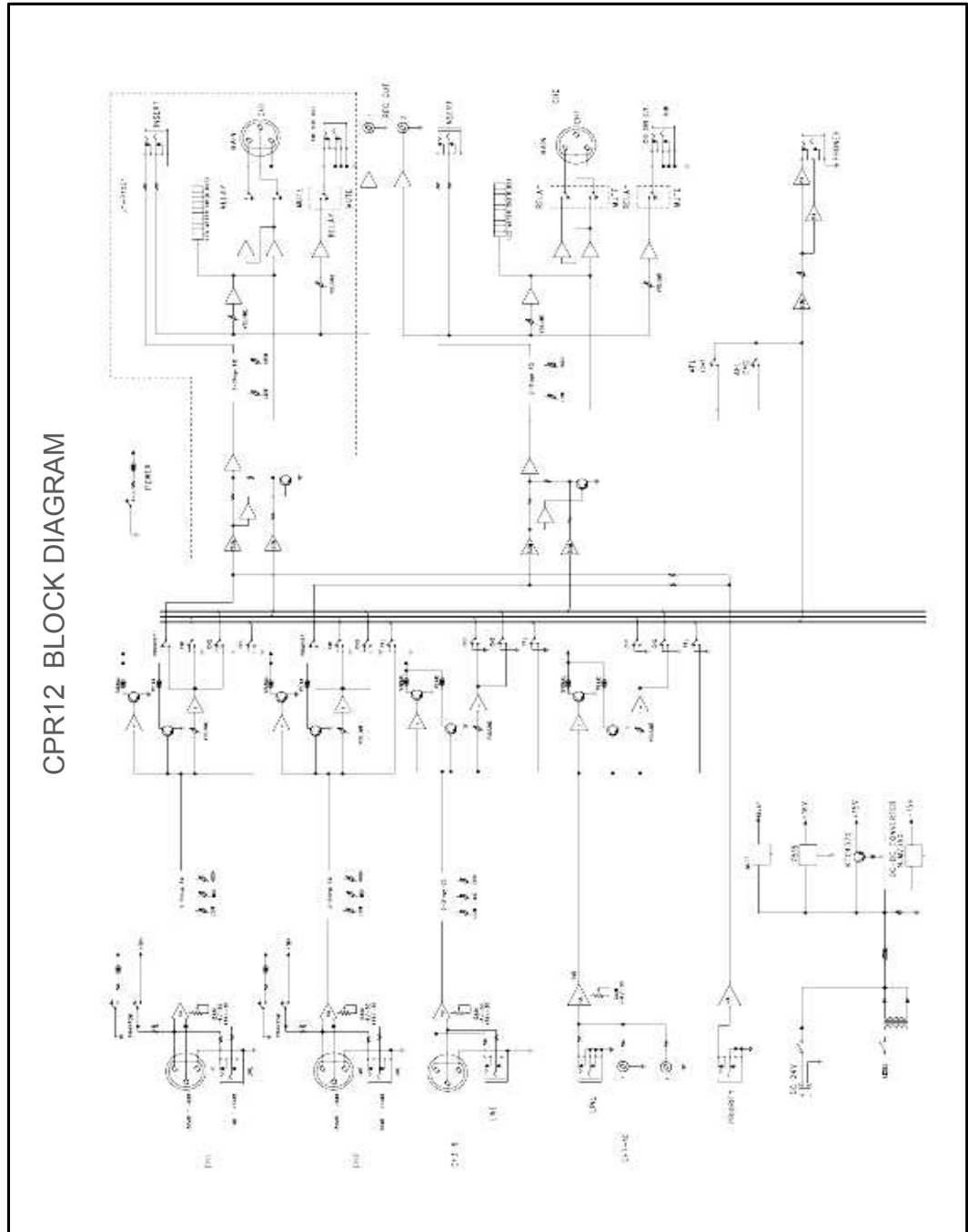
CONNECTOR AND CABLE CONFIGURATION



Connector and cable configurations recommended for use with the CPR-series. These cables are based on the use of auxiliary equipment that is isolated from the AC power mains.



Block diagram



Additional information CPR12

TECHNICAL SPECIFICATIONS

Rated Output Voltage	Balanced Master Output	0dBm
	Unbalanced Sub Output	0dBm
Input sensitivity for rated output at maximum gain	Unbalanced Rec output	-10dBm
	Balanced Microphone channels	-60dBm
	Balanced Line 1-6 channels	-30dBm
	Unbalanced Line 7-10 channels	-30dBm
	Unbalanced Priority	0dBm
	Insert	0dBm
Total Harmonic Distortion (T.H.D) at 1KHz Rated output	Mic in to Master Output	Less than 0.2%
	Line in to Master Output	
	Mic in to Sub Output	
	Mic in to Rec Output	
Frequency Response	Rated Output 20Hz~20KHz	±3dB
	HIGH (12.5KHz)	±12dB
Input Channel EQ	MID(2.5KHz)	±12dB
	LOW(80Hz)	±12dB
	HIGH (12.5KHz)	±12dB
Output Channel EQ	LOW(80Hz)	±12dB
		±12dB
Residual Noise		less than -90dB
Crosstalk	At 1KHz	less than -70dB
Phantom Power (balanced)		+15V DC
General	Power Source	AC 100~120V / 50~60Hz AC 220~240V / 50~60Hz DC 24V
	Power Consumption	22Watts
	Weight	5.3 kg
	Dimensions	482(W)x325(D)x88(H)

Personal notes