



LX503MK2

Active speaker system

Highlights:

- 2 unbalanced stereo line inputs
- Balanced stereo line input
- Active and passive speaker set
- 3-way construction
- 2-band master EQ

The LX503MK2 is a 3-way stereo loudspeaker system consisting of an active and passive unit to be linked with each other. It offers an easy and flexible solution for a wide variation of applications, producing a clear and powerful sound. The integrated amplifier is capable of delivering a power of 2 x 40 Watt and has a line level input allowing the speaker system to be directly connected to audio sources such as CD-players, DVD players, laptops, MP3 players or many other line level audio sources. The line input is performed in three different ways, making it convenient to connect any kind of audio source without complexes. Unbalanced audio sources can be connected to either the RCA or 3.5mm jack connectors, while balanced audio sources can be connected to the Euro-Terminal block connectors. A volume potentiometer allows the user to adjust the level of loudness while the two-band tone control allows equalization of treble and bass. The mode can be selected between mono or stereo by means of a switch. The magnetically shielded loudspeakers ensure a complete immunity against interference and radiation caused by external devices, reducing the hum and noise to an absolute minimum. The passive loudspeaker should be connected to the active loudspeaker by means of a two-pin Euro-Terminal block connector and the main power should be fed to the IEC socket at the back of the active loudspeaker. Both speakers come with a sturdy steel mounting bracket, allowing proper mounting and inclining. Available in black (/B) and white (/W).



Applications:

- Education
- Corporate spaces
- Residential

System specifications:

RMS Power		2 x 40 W
Sensitivity (1W/1m)		88 dB
Frequency	Response (± 3 dB)	80 Hz - 20 kHz
Inputs	Connector	RCA / Cinch (Unbalanced)
		3.5 mm Jack (Unbalanced)
		3-pin Euro Terminal block (Balanced)
Outputs	Connector	2-pin Euro Terminal block (Speaker)
Power	Connector	IEC Power connector
Drivers	HF	3/4"
	MF	1"
	LF	5 1/4"

Product Features:

Dimensions	178 x 240 x 193 mm (W x H x D)
Weight	5.600 kg
Operating temperature	-20 °C ~ 45 °C
Construction	ABS
Bracket	Coated steel
Colours	Black (LX503MK2/B)
	White (LX503MK2/W)

Variants:

- LX503MK2/B - Black version
- LX503MK2/W - White version

Shipping & Ordering:

Packaging	Cardboard box
Shipping weight & volume	6.700 kg - 0.0272 Cbm

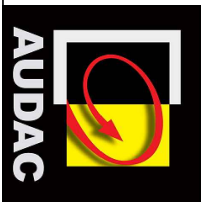
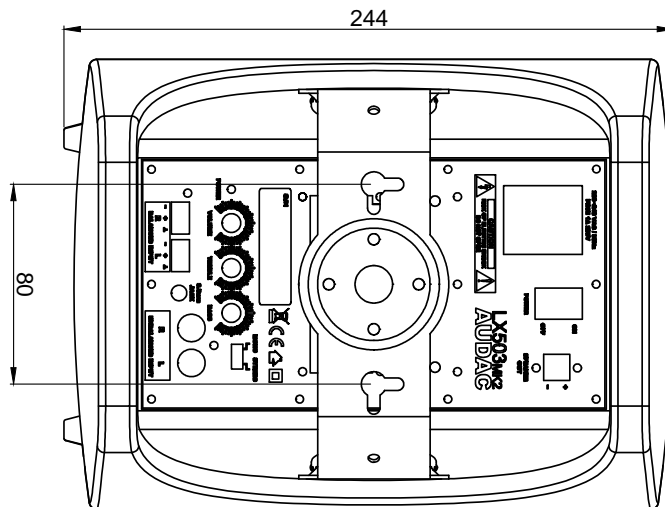
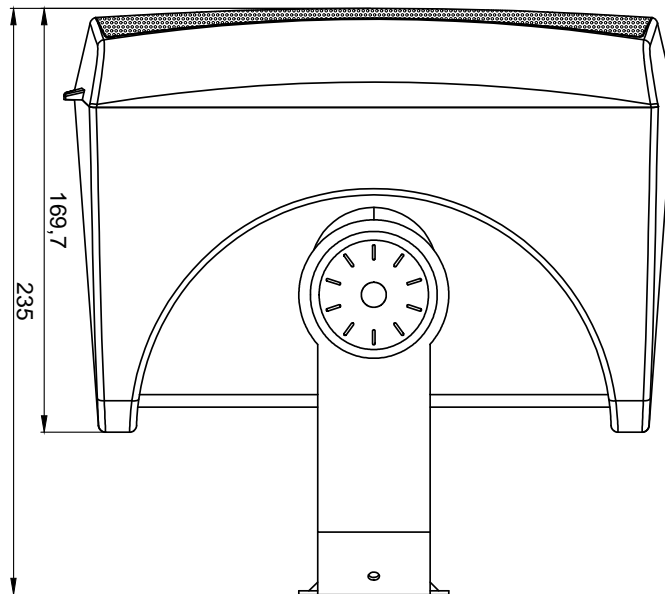
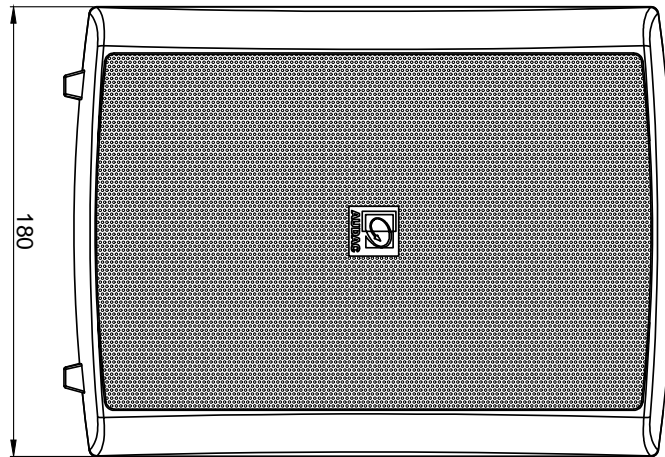
Architects' and Engineers' Specifications:

The stereo loudspeakers shall be a 3-way active system with one active and one passive speaker, both composed of a 5 ¼" low frequency woofer with polypropylene cone, a ½" mid-range tweeter and 1" piezo high frequency tweeter. The enclosure shall be constructed using ABS materials with a finely perforated steel grill front finishing.

The speakers shall have an RMS power handling of 2 x 40 W and the frequency response (± 3 dB) shall range from 80 Hz to 20 kHz. The sensitivity shall be 88 dB with an input signal of 1 Watt at a distance of 1 meter, while the maximum continuous sound pressure level shall reach 103 dB.

The signal inputs shall be implemented using both RCA and 3.5 mm jack connections for the unbalanced stereo line inputs, while a stereo line input with terminal block connectors allows connectivity for balanced sources. The amplified output for powering the passive speaker must be implemented using a 2-pin terminal block connector. A magnetical shielding for immunity against external devices shall be provided. The overall volume and two band (bass and treble) tone equalization shall be adjustable using controls on the rear side of the active loudspeaker.

The speaker system shall operate on a 230~240 V AC / 50 Hz mains network and shall be equipped with a removable power cord having a standard Europlug (CEE 7/16) AC plug. The connector on the active speaker shall be a fused IEC C14 type. The speakers' enclosure shall be 244 mm high, 180 mm wide and 220 mm deep (including the mounting bracket) and the weight (of one pair) shall not exceed 5.5 Kg.



LX503 MK2		Product description: ACTIVE SPEAKER SYSTEM - 2 X 40W
Weight:	5,6 kg	
Outer dimensions: (w x h x d)	180 x 244 x 235	Unit height: N/A