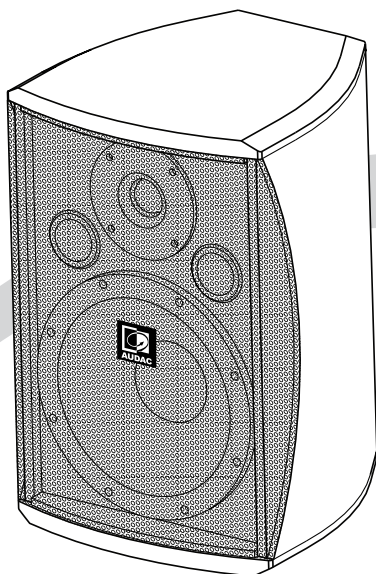


XENO 8

User & Installation Manual



www.audac.eu

Introduction

8" Full range loudspeaker cabinet

The XENO series is a loudspeaker range specifically designed for fixed audio installations in modern environments, offering two different sizes of contemporary and elegant designed products. What makes them so unique is their full-range audio design, allowing them to be used without additional an bass cabinet.

The XENO 8 is the 8" version, equipped with a 1" dome tweeter and a 8" Mid / Low frequency driver, ensuring a high-fidelity sound. This wooden cabinet is fitted with a slim and elegant front grill.

This makes the loudspeaker suitable for environments where the music is the key element, but without making any compromises on its design.

This ranges from modern and trendy clubs to pubs and dance bars where that little extra punch and depth in the music is appreciated. The sleek and elegant design guarantees the loudspeaker to blend in with any environment.

It delivers a powerful full-range sound with an RMS rating of 120 Watt, and a maximum of 240 Watt. The advanced integrated protection circuit avoids the tweeter from suffering damage in case of overload. The included mounting bracket makes it possible to mount the loudspeaker in both horizontal and vertical position, making it suitable for every application.

The connections can be made on the rear side of the loudspeaker with a Euro Terminal Block connector.

All Xeno series speakers are available in Black (/B) or White (/W).

Precautions

READ FOLLOWING INSTRUCTIONS FOR YOUR OWN SAFETY

- ALWAYS KEEP THESE INSTRUCTIONS FOR FUTURE REFERENCE. NEVER THROW THEM AWAY
- ALWAYS HANDLE THIS UNIT WITH CARE
- CLEAN ONLY WITH DRY CLOTH
- HEED ALL WARNINGS AND FOLLOW ALL INSTRUCTIONS
- NEVER EXPOSE THIS EQUIPMENT TO RAIN, MOISTURE, ANY DRIPPING OR SPLASHING LIQUID. AND NEVER PLACE AN OBJECT FILLED WITH LIQUID ON TOP OF THIS DEVICE
- DO NOT INSTALL THIS UNIT NEAR ANY HEAT SOURCES SUCH AS RADIATORS OR OTHER APPARATUS THAT PRODUCE HEAT
- DO NOT PLACE THIS UNIT IN ENVIRONMENTS WITH A HIGH LEVEL OF DUST, HEAT, MOISTURE OR VIBRATION
- THIS UNIT IS DEVELOPED FOR INDOOR USE ONLY. DO NOT USE IT OUTDOORS
- ONLY USE ATTACHMENTS & ACCESSORIES SPECIFIED BY THE MANUFACTURER.
- ONLY INSTALL THE SPEAKER IN LOCATIONS THAT CAN STRUCTURALLY SUPPORT THE WEIGHT OF THE SPEAKER. IGNORING THIS CAN BRING THE SPEAKER DOWN.
- DO NOT USE ANY OTHER METHOD THAN SPECIFIED TO MOUNT THE SPEAKER. IF EXTREME FORCE IS APPLIED TO THE SPEAKER, IT COULD FALL DOWN
- ATTACH A SAFETY WIRE TO THE SPEAKER WHEN IT IS MOUNTED HIGH UP. ONLY USE INDUSTRY-ACCEPTED RIGGING TOOLS AND METHODS
- CAREFULLY CHECK THE UNIT'S CONDITION AFTER UNPACKING. IF THERE IS ANY DAMAGE TO THE CARTON BOX OR THE UNIT ITSELF, INFORM YOUR VENDOR IMMEDIATELY.

CAUTION

- USE CABLES OF THE RIGHT GAUGE TO CONNECT THE LOUDSPEAKER
- USE CABLES WITH CLEAR COLOUR CODING INDICATING THE POLARITY AND MAINTAIN THE SAME POLARITY THROUGHOUT THE WHOLE SYSTEM.
- ONLY USE THE CORRECT AMPLIFIER OUTPUT VOLTAGE AND IMPEDANCE. EXCEEDING THESE LIMITS COULD CAUSE FIRE OR OTHER FAILURES.
AVOID EXPLOSIONS: DO NOT USE THE SPEAKER AROUND GASOLINE, THINNER OR OTHER COMBUSTIBLES
- AVOID ELECTRIC SHOCKS: SWITCH OFF THE AMPLIFIER WHEN CONNECTING THE LOUDSPEAKER
- DO NOT USE THE LOUDSPEAKER FOR AN EXTENDED PERIOD OF TIME AT DISTORTED SOUND. THIS COULD CAUSE PERMANENT DAMAGE.



CAUTION – SERVICING

This product contains no user serviceable parts. Refer all servicing to qualified service personnel. Do not perform any servicing (unless you are qualified to do so.)



EC DECLARATION OF CONFORMITY

This product conforms to all the essential requirements and further relevant specifications described in following directives: 2004/108/EC (EMC) and 2006/95/EC (LVD)



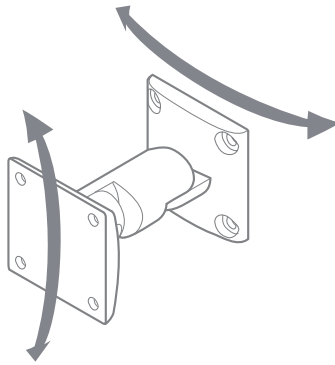
WASTE ELECTRICAL AND ELECTRONIC EQUIPMENT (WEEE)

The WEEE marking indicates that this product should not be disposed with regular household waste at the end of its product life. This regulation is created to protect both the environment and human health.

This product is developed and manufactured with high quality materials and components which can be recycled and/or reused. Please dispose this product to your local collection point or recycling centre for electrical and electronic waste. This will make to sure that it will be recycled on an environmentally friendly manner, and will help to protect the environment in which we all live.

Installing the XENO Revolving mounting bracket

Every XENO speaker is standard delivered with a two-way revolving bracket, making it possible to install the speaker at each location and focusing it into the desired direction. By using this bracket you can install the loudspeaker both in a horizontal and vertical way. The vertical installation method provides an additional advantage when the installation height on the wall or ceiling is limited by focussing the loudspeaker more directly downwards.

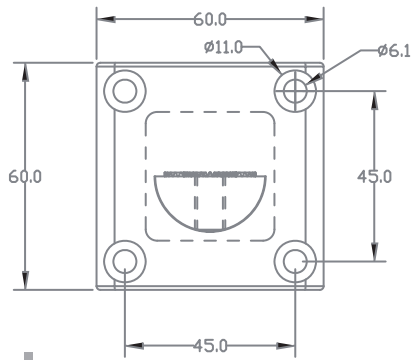


The two-way revolving bracket is made out of extra strong zinc-alloy material which ensures a solid and secure mounting of the loudspeaker. One horizontal and one vertical revolving point ensure easy focusing of the loudspeaker into any direction.

To realise an optimal installation, distribution of the forces on the revolving points and freedom in focusing of the loudspeaker, it is recommended to install the swivel points of the loudspeaker in a way that the revolving point on the wall plate is positioned in a horizontal direction and the revolving point on the speaker plate is positioned in a vertical direction.

The speaker plate has to be fixed to the loudspeaker cabinet by inserting the 4 supplied mounting screws into the pre-drilled and threaded holes at the back of the speaker cabinet.

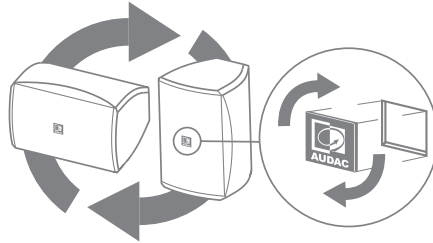
The wall plate has to be fixed to the wall by four screws. The fasteners that are used, depend on the mounting surface (brick, concrete, wood, ...). The holes should be provided in a quadrangular shape with a mutual distance of 45 mm, as shown in following drawing:



Rotatable logo

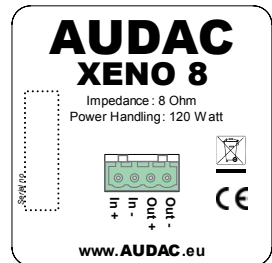
Depending on the mounting direction of the loudspeaker (either horizontally or vertically), the logo on the front grill of the loudspeaker that is held in place by a spring loaded mechanism can be rotated into the direction the speaker is mounted.

By placing a flat object between the logo and the recessed surface in the grill and the logo, the logo will move forward because of the spring loaded mechanism and can be rotated into the right position.



Connecting

For connecting the XENO loudspeaker, the wires coming from the amplifier have to be connected to the 4-pin Terminal Block connector at the back of the unit. The wires coming from the amplifier have to be connected to the 'In +' and 'In -' terminals. The other two terminals 'Out +' and 'Out -' can be used for linking the signal coming from the amplifier to other loudspeakers, resulting in a parallel network of multiple loudspeakers.



Mind the polarity markings when wiring the loudspeaker cables.

Additional Information

Technical specifications

RMS Power		120 Watt
Max. Power		240 Watt
Nominal impedance		8 Ohm
Sensitivity 1W / 1m		89 dB
Sound pressure Max W / 1m		110 dB
Frequency response –3 dB		60 Hz – 18 kHz
Frequency range –10 dB		50 Hz – 20 kHz
Cross-over frequency		2.5 kHz
Cross-over network		Passive Built-in
Drivers		1" HF Dome tweeter 8" MF / LF woofer
Connectors		4-Pin Euro-Terminal Block (5.08 mm)
Mounting bracket		2-Way revolving Zinc-Alloy
Construction		Medium density wood with structured coating
Front finish		Perforated steel grill
Colour	XEN08/W XEN08/B	White (RAL9003) Black (RAL9004)
Dimensions		250 x 380 x 262 mm
Weight (Incl Bracket)		6.70 Kg
Packaging		Carton box
Shipping weight & Volume		7.6 Kg – 0.050 Cbm
Accessories included		4-Pin Euro-Terminal Block (5.08 mm) 2-Way revolving mounting bracket