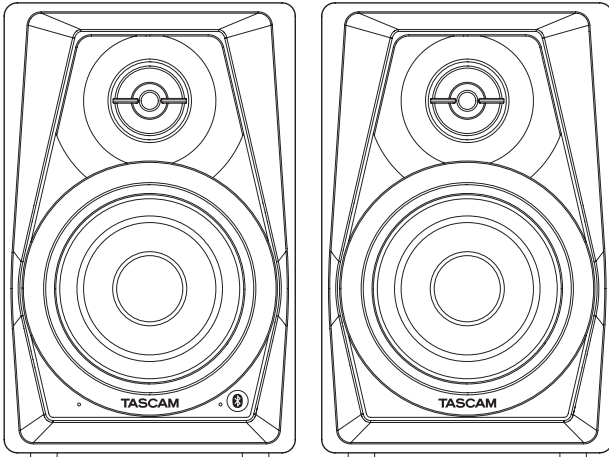


TASCAM

D01279600A

VL-S3BT

Powered Desktop Monitors



OWNER'S MANUAL

ENGLISH

MODE D'EMPLOI

FRANÇAIS

MANUAL DEL USUARIO

ESPAÑOL

BEDIENUNGSANLEITUNG

DEUTSCH

MANUALE DI ISTRUZIONI

ITALIANO

取扱説明書

日本語



- TASCAM is a trademark of TEAC CORPORATION, registered in the U.S. and other countries.
- The Bluetooth® word mark and logos are registered trademarks owned by Bluetooth SIG, Inc. and any use of such marks by TEAC CORPORATION is under license.
- © 2013 CSR plc and its group companies. The aptX® mark and the aptX logo are trade marks of CSR plc or one of its group companies and may be registered in one or more jurisdictions.
- Other company names, product names and logos in this document are the trademarks or registered trademarks of their respective owners.

Compliance Statement and information

This product has the function of broadband transmitter using 2.4 GHz Band.

Use frequency range: 2400 MHz - 2480 MHz

Maximum output power: Bluetooth® Class2 (less than 2.5 mW)

CAUTION

Use only in the country where you purchased the product.

- Authorization of wireless devices are different in countries or regions.
- Depending on the country, restrictions on the use of Bluetooth wireless technology might exist.

CAUTION

Changes or modifications to this equipment not expressly approved by TEAC CORPORATION for compliance could void the user's authority to operate this equipment.

Radiation Exposure requirements

This equipment meets the regulation, which is recognized internationally, for the case of human exposure to radio waves generated by the transmitter.

■ Model for U.S.A

This device complies with Part 15 of the FCC Rules. Operation is subject to the following two conditions: (1) this device may not cause harmful interference, and (2) this device must accept any interference received, including interference that may cause undesired operation.

Labeling of authorization

FCC ID: XEG-VLS3BT

This equipment has been tested and found to comply with the limits for a Class B digital device, pursuant to Part 15 of the FCC Rules. These limits are designed to provide reasonable protection against harmful interference in a residential installation. This equipment generates, uses, and can radiate radio frequency energy and, if not installed and used in accordance with the instruction manual, may cause harmful interference to radio communications. However, there is no guarantee that interference will not occur in a

particular installation. If this equipment does cause harmful interference to radio or television reception, which can be determined by turning the equipment off and on, the user is encouraged to try to correct the interference by one or more of the following measures.

- a) Reorient or relocate the receiving antenna.
- b) Increase the separation between the equipment and receiver.
- c) Connect the equipment into an outlet on a circuit different from that to which the receiver is connected.
- d) Consult the dealer or an experienced radio/TV technician for help.

FCC Radiation Exposure Statement

This device complies with FCC radiation exposure limits set forth for an uncontrolled environment and it also complies with Part 15 of the FCC RF Rules.

This equipment must be installed and operated in accordance with provided instructions and the antenna(s) used for this transmitter must be installed to provide a separation distance of at least 20 cm from all persons and must not be co-located or operating in conjunction with any other antenna or transmitter.

End-users and installers must be provided with antenna installation instructions and consider removing the no-collocation statement.

■ Model for Canada

Compliance of radio transmitter

This device complies with Industry Canada's license-exempt RSSs. Operation is subject to the following two conditions:

- (a) This device may not cause interference; and
- (b) This device must accept any interference, including interference that may cause undesired operation of the device.

Labeling of authorization

IC: 1559C-VLS3BT

Compliance of interference

This Class B digital apparatus complies with Canadian ICES-003.

Labeling of compliance


CAN ICES-3(B)/NMB-3(B)

Radiation Exposure requirements

The device meets the exemption from the routine evaluation limits in section 2.5 of RSS 102 and compliance with RSS-102 RF exposure, users can obtain Canadian information on RF exposure and compliance.

This transmitter must not be co-located or operating in conjunction with any other antenna or transmitter. This equipment should be installed and operated with a minimum distance of 20 centimeters between the radiator and your body.

■ Model for EUR

 Hereby, TEAC Corporation declares that the radio equipment type VL-S3BT is in compliance with Directive 2014/53/EU, and the other Directives, and Commission Regulations.

The full text of the EU declaration of conformity is available at the following internet address: Please contact us by e-mail.

<http://tascam.eu/en/kontakt.html>

EU Importer: TEAC Europe GmbH

Bahnstrasse 12, 65205 Wiesbaden-Erbenheim,
Germany

Radiation Exposure requirements

This equipment complies with EN.62311; Assessment of electronic and electrical equipment related to human exposure restrictions for electromagnetic fields; the harmonised standard of DIRECTIVE 2014/53/EU.

IMPORTANT SAFETY INSTRUCTIONS

- 1 Read these instructions.
- 2 Keep these instructions.
- 3 Heed all warnings.
- 4 Follow all instructions.
- 5 Do not use this apparatus near water.
- 6 Clean only with dry cloth.
- 7 Do not block any ventilation openings. Install in accordance with the manufacturer's instructions.
- 8 Do not install near any heat sources such as radiators, heat registers, stoves, or other apparatus (including amplifiers) that produce heat.
- 9 Do not defeat the safety purpose of the polarized or grounding-type plug. A polarized plug has

two blades with one wider than the other. A grounding type plug has two blades and a third grounding prong. The wide blade or the third prong are provided for your safety. If the provided plug does not fit into your outlet, consult an electrician for replacement of the obsolete outlet.

- 10 Protect the power cord from being walked on or pinched particularly at plugs, convenience receptacles, and the point where they exit from the apparatus.
 - 11 Only use attachments/accessories specified by the manufacturer.
 - 12 Use only with the cart, stand, tripod, bracket, or table specified by the manufacturer, or sold with the apparatus. When a cart is used, use caution when moving the cart/apparatus combination to avoid injury from tip-over.
 - 13 Unplug this apparatus during lightning storms or when unused for long periods of time.
 - 14 Refer all servicing to qualified service personnel. Servicing is required when the apparatus has been damaged in any way, such as power-supply cord or plug is damaged, liquid has been spilled or objects have fallen into the apparatus, the apparatus has been exposed to rain or moisture, does not operate normally, or has been dropped.
- The apparatus draws nominal non-operating power from the AC outlet with its POWER or STANDBY/ON switch not in the ON position.
 - The mains plug is used as the disconnect device, the disconnect device shall remain readily operable.
 - Caution should be taken when using earphones or headphones with the product because excessive sound pressure (volume) from earphones or headphones can cause hearing loss.
 - If you are experiencing problems with this product, contact TEAC for a service referral. Do not use the product until it has been repaired.



CAUTION

- Do not expose this apparatus to drips or splashes.
- Do not place any objects filled with liquids, such as vases, on the apparatus.
- Do not install this apparatus in a confined space such as a book case or similar unit.
- The apparatus should be located close enough to the AC outlet so that you can easily grasp the power cord plug at any time.
- If the product uses batteries (including a battery pack or installed batteries), they should not be exposed to sunshine, fire or excessive heat.
- CAUTION for products that use replaceable lithium batteries: there is danger of explosion if a battery is replaced with an incorrect type of battery. Replace only with the same or equivalent type.

IN USA/CANADA, USE ONLY ON 120 V SUPPLY.

■ For European Customers

Disposal of electrical and electronic equipment

- All electrical and electronic equipment should be disposed of separately from the municipal waste stream via designated collection facilities appointed by the government or the local authorities.
- By disposing of the electrical and electronic equipment correctly, you will help save valuable resources and prevent any potential negative effects on human health and the environment.
- Improper disposal of waste equipment can have serious effects on the environment and human health as a result of the presence of hazardous substances in electrical and electronic equipment.
- The crossed out wheeled dust bin symbol indicates that electrical and electronic equipment must be collected and disposed of separately from household waste.
- The return and collection systems are available to the end users. For more detailed information about disposal of old electrical and electronic equipment, please contact your city office, waste disposal service or the shop where you purchased the equipment.



Contents

Compliance Statement and information.....	3
IMPORTANT SAFETY INSTRUCTIONS.....	4
Introduction.....	6
Features	6
Included items	6
Conventions used in this manual	6
Precautions for placement and use.....	6
Beware of condensation	7
Cleaning the unit	7
Bluetooth® overview	7
Transmission conditions.....	7
Profiles.....	7
Codecs.....	7
Content protection.....	7
Transmission security.....	7
Using the TEAC Global Site	7
User registration.....	8
Names and functions of parts.....	8
Front panel.....	8
Rear panel	8
Preparation.....	9
Precautions before making connections.....	9
Connections	9
Installation	9
Switching the input source.....	10
Playing back from a Bluetooth device.....	10
Pairing.....	10
Ending a paired connection.....	11
Troubleshooting.....	11
Specifications	12
General.....	12
Dimensional drawing	12

Introduction

Thank you very much for purchasing the TASCAM VL-S3BT Powered Desktop Monitors.

Before using these monitors, read this Owner's Manual carefully so that you will be able to use them correctly and enjoy having them for many years. After you have finished reading this manual, please keep it in a safe place for future reference.

You can also download this Owner's Manual from the TEAC Global Site (<http://teac-global.com/>).

Features

- 3-inch (76.2mm) woofer
 - 0.5-inch (12.7mm) tweeter
 - Built-in 14W+14W power amplifier
 - RCA pin input jacks
 - Stereo mini input jack
 - Built-in volume control
 - Built-in Bluetooth audio receiver capable of receiving high-quality audio using SBC, AAC and aptX® decoding
-

Included items

This product includes the following items.

Take care when opening the package not to damage the items. Keep the box and packing materials for transportation in the future.

Please contact us if any of these items are missing or have been damaged during transportation.

- Main units
 - Active unit.....× 1
 - Passive unit.....× 1
- AC adapter (PS-P1524E).....× 1
- Speaker cable.....× 1
- RCA–6.3mm (1/4") standard TS jack adapter cable.....× 1
- Owner's Manual (this document) including warranty.....× 1

CAUTION

Always use the included AC adapter (PS-P1524E) when using this unit. Never use the included AC adapter with any other device. Doing so could cause damage, fire or electric shock.

Conventions used in this manual

The following conventions are used in this manual.

- Buttons, connectors and other physical parts of this unit are written using a bold font like this: **Power** switch.
- Equipment that can be connected to this unit using Bluetooth, including computers and portable audio devices, are called "Bluetooth devices".
- As necessary, additional information is provided under TIP, NOTE and CAUTION headings.

TIP

These are tips about how to use the unit.

NOTE

These provide additional explanations and describe special cases.

CAUTION

Failure to follow these instructions could result in injury, damage to equipment or lost recording data, for example.

Precautions for placement and use

- The operating temperature range of this unit is 5–35 °C.
- Do not install this unit in the following types of locations. Doing so could degrade the sound quality and/or cause malfunctions.
 - Places with significant vibrations
 - Near windows or other places exposed to direct sunlight
 - Near heaters or other extremely hot places
 - Extremely cold places
 - Places with bad ventilation or high humidity
- To enable good heat dissipation, do not place anything on top of the unit.
- Do not place the unit on top of a power amplifier or other device that generates heat.
- If this unit is placed near a power amplifier or other device with a large transformer, it could cause a hum. If this occurs, increase the distance between this unit and the other device.
- This unit could cause color irregularities on a TV screen or noise from a radio if used nearby. If this occurs, use this unit farther away.
- This unit might produce noise if a mobile phone or other wireless device is used nearby to make

calls or send or receive signals. If this occurs, increase the distance between this unit and those devices or turn them off.

Beware of condensation

If the unit is moved from a cold to a warm place, or used after a sudden temperature change, there is a danger of condensation; vapor in the air could condense on the internal mechanism, making correct operation impossible. To prevent this, or if this occurs, let the unit sit for one or two hours at the new room temperature before using it.

Cleaning the unit

Use a dry soft cloth to wipe the unit clean. Do not wipe with chemical cleaning cloths, thinner, alcohol or other chemical agents. Doing so could damage the surface or cause discoloration.

Bluetooth® overview

This unit has a built-in Bluetooth audio receiver, allowing it to output the audio playback of a computer or portable audio device that supports Bluetooth.

CAUTION

Operation and connection of this unit's Bluetooth functions with all Bluetooth devices are not guaranteed.

Transmission conditions

This is a Class 2 Bluetooth transmission output device. It has an approximate transmission range of 10 m, but this distance can vary due to the interference of obstacles and electromagnetic waves.

An obstacle between this unit and another Bluetooth device could interfere with Bluetooth transmission. If this occurs, remove the obstacle. Moreover, the use of a wireless LAN (IEEE802.11b/g) or microwave oven in the same operating environment could also interfere with Bluetooth transmission. If this occurs, stop using that equipment or move this unit and the Bluetooth device at least 10 m away from it.

Profiles

This unit supports the following Bluetooth profile.

- A2DP (Advanced Audio Distribution Profile)

Bluetooth devices must support A2DP in order to transmit audio via Bluetooth.

Even if they have the same Bluetooth profile, however, different Bluetooth devices can have different functions depending on their specifications.

Codecs

This unit supports the following A2DP codecs and automatically selects one of them during audio transmission.

- SBC
- AAC
- aptX

It will select the appropriate codec to use according to the codec support of the Bluetooth device and transmission conditions.

NOTE

You cannot use buttons, for example, to select the codec.

Due to the nature of Bluetooth wireless technology, playback from this unit will start slightly later than when triggered from the Bluetooth device.

Content protection

This unit supports SCMS-T content protection during audio transmission, enabling the playback of protected audio.

Transmission security

This unit supports security functions during Bluetooth transmission according to the Bluetooth standards, but the invisibility of transmission is not guaranteed.

Our company will take absolutely no responsibility if data is leaked during Bluetooth transmission.

Using the TEAC Global Site

You can download this Owner's Manual necessary for this unit from the TEAC Global Site

1. Open the TEAC Global Site
2. In the TASCAM Downloads section, click the desired language to open the Downloads website page for that language.

NOTE

If the desired language does not appear, click **Other Languages**.

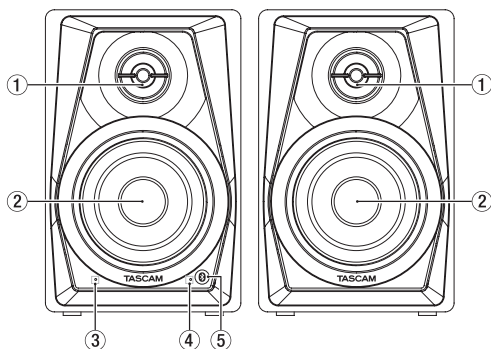
- Click the product name in the "Search by Model Name" section to open the Downloads page for that product.
- Select and download the Owner's Manual and the Reference Manual that are needed.

User registration

Customers in the USA, please visit the TASCAM website (<http://tascam.com/>) to register as a user online.

Names and functions of parts

Front panel



Active unit

Passive unit

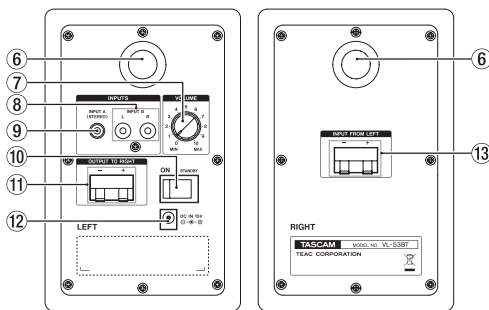
- Tweeter unit**
- Woofer unit**
- STANDBY/ON indicator**
- Bluetooth indicator**

The lighting of this indicator shows the status of the connection with the other Bluetooth device.

Indicator lighting	Meaning
Unlit	Not connected
Lit	Connected
Blinking	Pairing

- Bluetooth PAIRING button**

Rear panel



Active unit

Passive unit

- Bass reflex port**
- VOLUME knob**
- RCA pin input jacks**
- Stereo mini input jack**
- STANDBY/ON switch**
- Speaker output terminal (OUTPUT TO RIGHT)**
Connect to passive unit
- DC IN 15V connector**
- Speaker input terminal (INPUT FROM LEFT)**
Connect to active unit

Preparation

Precautions before making connections

- When unpacking the speaker units, do not hold them by their tweeters or woofers.
- Connect signal cables and power cords so that they will not become caught on anything.
- Before turning the built-in amplifier on, minimize the volume of the input signal. Turning it on while inputting a loud signal could damage the speaker.
- Do not continuously use it for a long time at a loud volume. Doing so could harm your hearing.
- Use power cords, power outlets, audio signal cables and connectors that are undamaged and free of wiring shorts and other defects.
- Set the power switch to **STANDBY** before connecting the power cord.
- Do not input signals other than audio signals.
- Before connecting an audio signal to this unit, confirm that the level of the input signal is minimized and the power switch of the built-in power amplifier is set to **STANDBY**.
- Always use the correct polarity.

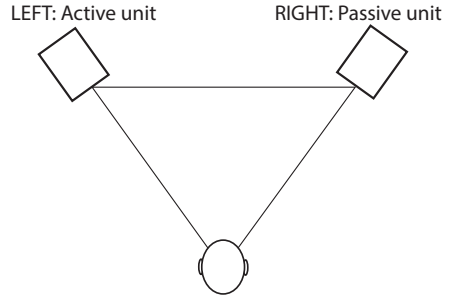
Connections

1. Set the power switch to **STANDBY**.
2. Connect the included AC adapter (PS-P1524E) to the speaker and then to the power supply.
3. Use the included connection cable (RCA–6.3mm (1/4") standard TS jack) to connect the input jack(s) of the active unit to the output device.
4. Use the included speaker cable to connect the output terminal of the active unit to the input terminal of the passive unit.

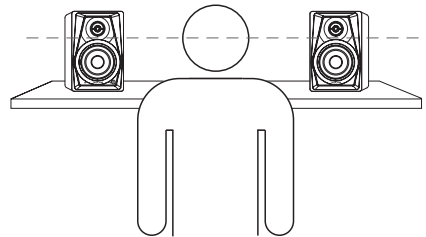
Installation

Installing speakers correctly is extremely important. The volume of low frequencies will seem to change according to the positions where the speakers are installed. Test various installation positions to find the best places for maximizing the capabilities of the speakers.

- Place the active unit to the left and the passive unit to the right.
- Place the speakers so that they form an equilateral triangle with the listening position.



- Install each speaker so that the top of its woofer is at ear height.



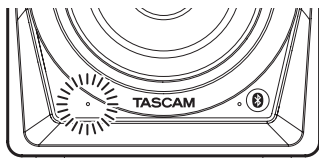
- Do not install speakers near mirrors, glass or other surfaces that reflect sound. Do not place anything between the speakers and the listening position.

Switching the input source

You can select whether the audio this unit outputs is the audio from a line input (RCA pin input jacks or stereo mini input jack) or the audio received by Bluetooth.

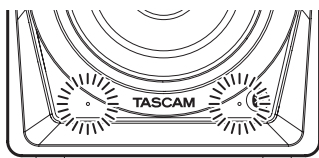
Press the **Bluetooth PAIRING** button to switch between the input sources.

■ When a line input source is selected



Indicator	Lighting
STANDBY/ON indicator	Lit
Bluetooth indicator	Unlit

■ When a Bluetooth input source is selected



Indicator	Lighting
STANDBY/ON indicator	Lit
Bluetooth indicator	Lit
Bluetooth indicator	Blinking

CAUTION

When switched to Bluetooth input, if no Bluetooth device is paired and connected, the Bluetooth indicator will blink, showing it is ready for pairing.

Playing back from a Bluetooth device

These speakers can output the audio playback of devices that support Bluetooth (A2DP), including computers and portable audio devices.

Pairing

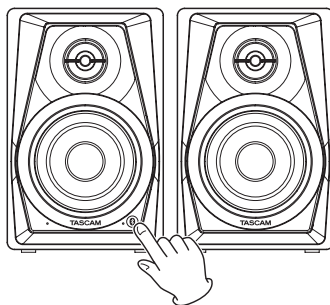
Follow the procedures below to pair with the Bluetooth device in order to communicate with it.

NOTE

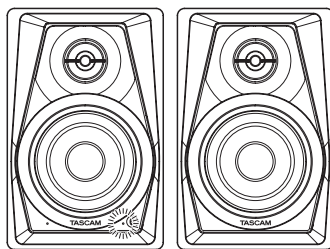
Pairing also requires setting the Bluetooth device.

For details about how to do this, refer to the operation manual of that Bluetooth device.

1. Press the **Bluetooth PAIRING** button on the speaker.



The **Bluetooth** indicator flashes, showing that pairing is possible.



2. On the other Bluetooth device, select "VL-S3BT" (this speaker).

After pairing succeeds, the **Bluetooth** indicator stops blinking and stays lit, showing that connection with that device is complete.

Ending a paired connection

Follow the procedures below to end a paired connection from this unit.

1. Press and hold the **Bluetooth PAIRING** button for at least two seconds.
2. The Bluetooth indicator blinks, showing that the paired connection has ended and pairing is possible again.

Troubleshooting

If you are having trouble with the operation of this product, please try the following before seeking repair.

If these measures do not solve the problem, please contact the store where you bought the unit or TEAC customer support (see back page).

■ The speakers will not turn on.

- Confirm that the included AC adapter (PS-P1524E) is securely connected to both the outlet and the DC connector.

■ No sound is output.

- Check the connection with the playback device again.
- Check the **VOLUME** knob.

■ The sound drops out or there is noise.

- Confirm that the connection cables do not have contact issues.
- Is a wireless LAN, other Bluetooth device, microwave oven or similar equipment nearby?
Keep those devices at a distance whenever possible.
- Keep the Bluetooth device close to these speakers when using them together. Try changing the location of the Bluetooth device or the speakers.
- If applications other than the audio playback app are running on a smartphone, the sound could drop out. In this case, stop applications other than the audio playback app from running.

■ Cannot connect or communication is interrupted.

- Confirm that the Bluetooth device power is on and that its Bluetooth function is also on.
- Is the Bluetooth device too far away? Is there a wall or other obstacle between the device and the speakers?

If the Bluetooth device is behind the speakers, the speakers themselves could block communication.

Try changing the location of the Bluetooth device or the speakers.

- Turn the speakers **STANDBY** and **ON** again.
- Remove the VL-S3BT pairing from the other Bluetooth device, and follow the procedures in "Pairing" on page 10 again.

■ Pairing is not possible.

- Confirm that the connected Bluetooth device supports A2DP.
- Confirm that the Bluetooth device that you want to connect is in a state that allows it to communicate. For details, check the operation manual of that Bluetooth device.
- Turn the power off for both the speakers and the Bluetooth device. Turn them both on and try pairing them again.
- Turn off Bluetooth devices other than the one that you are trying to pair to the speakers.
- Remove the VL-S3BT pairing from the other Bluetooth device, and pair them again.

Specifications

General

■ Maximum effective output (distortion: 10%)

14W + 14W

■ Speaker units

3-inch (76.2mm) woofer

0.5-inch (12.7mm) tweeter

■ Enclosure

Bass reflex type

■ Frequency response

80 Hz–22 kHz

■ Crossover frequency

8 kHz

■ Sensitivity

–4.8 dBV (580 mV) 14 W+14 W

■ External input jacks

RCA pin jacks, stereo mini jack

■ Input impedance

50 k Ω

■ Bluetooth

Bluetooth version: 4.0

Output class: Class 2(Unobstructed communication distance: about 10 m*)

Supported profile: A2DP

Supported A2DP codecs: SBC, AAC and aptX

Supported A2DP content protection: SCMS-T

*This communication distance is an estimate. The communication distance might differ depending on the surrounding environment and wave conditions.

■ Power

AC adapter (PS-P1524E)

Input voltage: AC 100–240V (50/60 Hz)

Output voltage: DC 15 V

Output current: 2.4 A

■ Power consumption

6.5 W

■ Dimensions

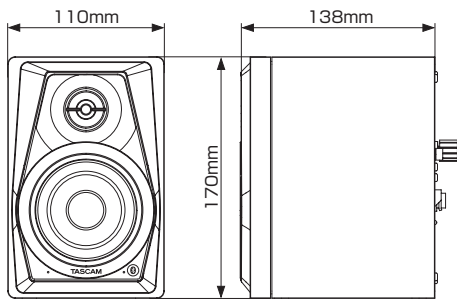
110 × 170 × 138 mm (width × height × depth, excluding protrusions)

■ Weight

Active unit: 1.1 kg

Passive unit: 1.0 kg

Dimensional drawing



- Illustrations in this manual might differ in part from the actual product.
- Specifications and external appearance might be changed without notification to improve the product.

Mode d'emploi

Déclaration et informations de conformité

Ce produit a une fonction émetteur large bande utilisant la bande des 2,4 GHz.

Plage de fréquences utilisée :
2400 MHz – 2480 MHz

Puissance maximale d'émission :
Bluetooth® de classe 2 (moins de 2,5 mW)

ATTENTION

N'utilisez ce produit que dans son pays d'achat.

- Les autorisations accordées aux dispositifs sans fil diffèrent avec les pays ou régions.
- Selon le pays, il peut exister des restrictions d'utilisation de la technologie sans fil Bluetooth.

ATTENTION

Les changements ou modifications apportés à cet équipement n'ayant pas été expressément approuvés par TEAC CORPORATION pour leur conformité peuvent annuler le droit de l'utilisateur à faire fonctionner cet équipement.

Exigences relatives à l'exposition aux rayonnements

Cet équipement satisfait la réglementation reconnue à l'échelle internationale en matière d'exposition humaine aux ondes radioélectriques générées par l'émetteur.

■ Modèle pour le Canada

Conformité de l'émetteur radio

Le présent appareil est conforme aux CNR d'Industrie Canada applicables aux appareils radio exempts de licence. L'exploitation est autorisée aux deux conditions suivantes :

- (1) l'appareil ne doit pas produire de brouillage;
- (2) l'utilisateur de l'appareil doit accepter tout brouillage radioélectrique subi, même si le brouillage est susceptible d'en compromettre le fonctionnement.

Marquage d'autorisation

IC : 1559C-VLS3BT

Conformité de brouillage

Cet appareil numérique de la classe B est conforme à la norme NMB-003 du Canada.

Marquage de conformité

CAN ICES-3(B)/NMB-3(B)

Exigences relatives à l'exposition aux rayonnements

Le dispositif rencontre l'exemption des limites courantes d'évaluation dans la section 2.5 de RSS 102 et la conformité à l'exposition de RSS-102 rf, utilisateurs peut obtenir l'information canadienne sur l'exposition et la conformité de rf.

Cet émetteur ne doit pas être Co-placé ou ne fonctionnant en même temps qu'aucune autre antenne ou émetteur. Cet équipement devrait être installé et actionné avec une distance minimum de 20 centimètres entre le radiateur et votre corps.

■ Modèle pour l'Europe



Par la présente, TEAC Corporation déclare que l'équipement radio de type VL-S3BT est en conformité avec la directive 2014/53/UE, et avec les autres directives et règlements de la Commission.

Le texte intégral de la déclaration de conformité pour l'UE est disponible à l'adresse internet suivante : veuillez nous contacter par e-mail.

Importateur pour l'UE : TEAC Europe GmbH.

Bahnstrasse 12, 65205 Wiesbaden-Erbenheim, Allemagne

Exigences relatives à l'exposition aux rayonnements

Cet équipement est conforme à la norme EN.62311 : Évaluation des équipements électroniques et électriques en relation avec les restrictions d'exposition humaine aux champs électromagnétiques ; la norme harmonisée de la Directive 2014/53/UE.

INSTRUCTIONS DE SÉCURITÉ IMPORTANTES

- 1 Lisez ces instructions.
- 2 Conservez ces instructions.
- 3 Tenez compte de tous les avertissements.
- 4 Suivez toutes les instructions.
- 5 N'utilisez pas cet appareil avec de l'eau à proximité.
- 6 Ne nettoyez l'appareil qu'avec un chiffon sec.
- 7 Ne bloquez aucune ouverture de ventilation. Installez-le conformément aux instructions du fabricant.
- 8 Ne l'installez pas près de sources de chaleur telles que des radiateurs, bouches de chauffage, poêles ou autres appareils (y compris des amplificateurs) dégageant de la chaleur.
- 9 Ne neutralisez pas la fonction de sécurité de la fiche polarisée ou de terre. Une fiche polarisée a deux broches, l'une plus large que l'autre. Une fiche de terre a deux broches identiques et une troisième broche pour la mise à la terre. La broche plus large ou la troisième broche servent à votre sécurité. Si la fiche fournie n'entre pas dans votre prise, consultez un électricien pour le remplacement de la prise obsolète.
- 10 Évitez de marcher sur le cordon d'alimentation et de le pincer, en particulier au niveau des fiches, des prises secteur, et du point de sortie de l'appareil.
- 11 N'utilisez que des fixations/accessoires spécifiés par le fabricant.
- 12 Utilisez-le uniquement avec des chariots, socles, trépieds, supports ou tables spécifiés par le fabricant ou vendus avec l'appareil. Si un chariot est utilisé, faites attention à ne pas être blessé par un renversement lors du déplacement de l'ensemble chariot/appareil.
- 13 Débranchez cet appareil en cas d'orage ou de non utilisation prolongée.
- 14 Confiez toute réparation à des techniciens de maintenance qualifiés. Une réparation est nécessaire si l'appareil a été endommagé d'une quelconque façon, par exemple si le cordon ou la fiche d'alimentation est endommagé, si du liquide a été renversé sur l'appareil ou si des objets sont tombés dedans, si l'appareil a été exposé à la pluie ou à l'humidité, s'il ne fonctionne pas normalement, ou s'il est tombé.



- L'appareil tire un courant nominal de veille de la prise secteur quand son interrupteur POWER ou STANDBY/ON n'est pas en position ON.
- La fiche secteur est utilisée comme dispositif de déconnexion et doit donc toujours rester disponible.
- Des précautions doivent être prises en cas d'utilisation d'écouteurs ou d'un casque avec le produit car une pression sonore excessive (volume trop fort) dans les écouteurs ou dans le casque peut causer une perte auditive.
- Si vous rencontrez des problèmes avec ce produit, contactez TEAC pour une assistance technique. N'utilisez pas le produit tant qu'il n'a pas été réparé.

ATTENTION

- N'exposez pas cet appareil aux gouttes ni aux éclaboussures.
- Ne placez pas d'objet rempli de liquide sur l'appareil, comme par exemple un vase.
- N'installez pas cet appareil dans un espace confiné comme une bibliothèque ou un meuble similaire.
- L'appareil doit être placé suffisamment près de la prise de courant pour que vous puissiez à tout moment attraper facilement la fiche du cordon d'alimentation.
- Si le produit utilise des piles/batteries (y compris un pack de batteries ou des batteries fixes), elles ne doivent pas être exposées au soleil, au feu ou à une chaleur excessive.
- PRÉCAUTION pour les produits qui utilisent des batteries remplaçables au lithium : remplacer une batterie par un modèle incorrect entraîne un risque d'explosion. Remplacez-les uniquement par un type identique ou équivalent.

AUX USA/CANADA, UTILISEZ UNIQUEMENT UNE
TENSION D'ALIMENTATION DE 120 V.

■ Pour les consommateurs européens

Mise au rebut des équipements électriques et électroniques

- (a) Tous les équipements électriques et électroniques doivent être traités séparément de la collecte municipale d'ordures ménagères dans des points de collecte désignés par le gouvernement ou les autorités locales.
- (b) En vous débarrassant correctement des équipements électriques et électroniques, vous contribuerez à la sauvegarde de précieuses ressources et à la prévention de potentiels effets négatifs sur la santé humaine et l'environnement.
- (c) Le traitement incorrect des déchets d'équipements électriques et électroniques peut avoir des effets graves sur l'environnement et la santé humaine en raison de la présence de substances dangereuses dans les équipements.
- (d) Le symbole de poubelle sur roues barrée d'une croix indique que les équipements électriques et électroniques doivent être collectés et traités séparément des déchets ménagers.
- (e) Des systèmes de retour et de collecte sont disponibles pour l'utilisateur final. Pour des informations plus détaillées sur la mise au rebut des vieux équipements électriques et électroniques, veuillez contacter votre mairie, le service d'ordures ménagères ou le magasin dans lequel vous avez acheté l'équipement.



Sommaire

Déclaration et informations de conformité	13
INSTRUCTIONS DE SÉCURITÉ IMPORTANTES.....	14
Introduction	16
Caractéristiques	16
Éléments fournis.....	16
Conventions employées dans ce mode d'emploi	16
Précautions concernant l'emplacement et l'emploi	16
Attention à la condensation.....	17
Nettoyage de l'unité.....	17
Présentation du Bluetooth®	17
Conditions de transmission	17
Profils.....	17
Codecs	17
Protection du contenu.....	17
Sécurité de transmission.....	17
Utilisation du site mondial TEAC.....	18
Enregistrement de l'utilisateur	18
Nomenclature et fonctions des parties.....	18
Face avant.....	18
Face arrière.....	18
Préparation	19
Précautions avant de faire les branchements ...	19
Branchements.....	19
Installation.....	19
Changement de source d'entrée	20
Lecture depuis un appareil Bluetooth	20
Appairage	20
Déconnexion d'un appareil appairé	21
Guide de dépannage	21
Caractéristiques techniques.....	22
Générales	22
Dessin avec cotes.....	22

Introduction

Merci beaucoup d'avoir choisi les moniteurs de bureau amplifiés VL-S3BT de TASCAM.

Avant d'utiliser ces moniteurs, lisez attentivement ce mode d'emploi pour pouvoir les utiliser correctement et en profiter durant de nombreuses années. Une fois la lecture de ce mode d'emploi terminée, veillez à le conserver en lieu sûr pour référence ultérieure.

Vous pouvez aussi télécharger ce mode d'emploi depuis le site mondial de TEAC (<http://teac-global.com/>).

Caractéristiques

- Woofer de 3 pouces (76,2 mm)
- Tweeter de 0,5 pouce (12,7 mm)
- Amplificateur de puissance 14 W + 14 W intégré
- Prises d'entrée RCA (cinch)
- Prise d'entrée mini-jack stéréo
- Commande de volume intégrée
- Récepteur audio Bluetooth intégré pouvant recevoir un son de haute qualité par décodage SBC, AAC et aptX®

Éléments fournis

Ce produit est livré avec les éléments suivants.

Prenez soin de ne pas endommager ces éléments lors du déballage. Conservez la boîte et les matériaux d'emballage pour de futurs transports.

Veillez nous contacter si un de ces éléments est manquant ou a été endommagé durant le transport.

- Unités principales
 - Unité active.....× 1
 - Unité passive.....× 1
- Adaptateur secteur (PS-P1524E)× 1
- Câble d'enceinte.....× 1
- Câble adaptateur RCA-jack 6,35 mm 2 points (TS) standard× 1
- Mode d'emploi (ce document) incluant la garantie× 1

ATTENTION

Utilisez toujours l'adaptateur secteur (PS-P1524E) fourni avec cette unité. N'utilisez jamais un adaptateur secteur fourni avec un autre appareil. Cela pourrait entraîner des dommages, un incendie, voire un choc électrique.

Conventions employées dans ce mode d'emploi

Les conventions suivantes sont employées dans ce mode d'emploi.

- Les touches, connecteurs et autres parties physiques de cette unité sont indiqués au moyen de caractères gras comme ceci : bouton **Power**.
- Les équipements pouvant être connectés à cette unité par Bluetooth, comme les ordinateurs et les appareils audio portables, sont appelés « appareils Bluetooth ».
- Si nécessaire, des informations supplémentaires sont fournies sous les intitulés CONSEIL, NOTE et ATTENTION.

CONSEIL

Ce sont des conseils concernant l'emploi de l'unité.

NOTE

Ce sont des explications supplémentaires et des descriptions de cas particuliers.

ATTENTION

Ne pas suivre ces instructions peut par exemple entraîner des blessures, des dommages pour l'équipement ou la perte de données enregistrées.

Précautions concernant l'emplacement et l'emploi

- La plage de température de fonctionnement de cette unité se situe entre 5 °C et 35 °C.
- Ne placez pas cette unité dans les types d'emplacement suivants. Cela pourrait dégrader la qualité sonore ou causer des mauvais fonctionnements.
 - Lieux sujets à des vibrations importantes
 - Près de fenêtres ou en exposition directe au soleil
 - Près de chauffages ou dans des lieux extrêmement chauds
 - Lieux extrêmement froids
 - Lieux mal ventilés ou très humides
- Pour permettre une bonne dispersion thermique, ne placez rien sur le dessus de l'unité.
- Ne placez pas l'unité sur un amplificateur de puissance ou un autre appareil dégageant de la chaleur.
- Si cette unité est placée près d'un amplificateur de puissance ou d'un autre appareil à gros transformateur, cela peut entraîner un

ronflement. Dans ce cas, augmentez la distance séparant cette unité de l'autre appareil.

- Si on l'utilise à proximité d'un récepteur de télévision ou de radio, cette unité peut entraîner des irrégularités de couleur ou des parasites. Si cela se produit, éloignez l'unité.
- Cette unité peut produire des parasites si un téléphone mobile ou autre appareil sans fil est utilisé à proximité pour passer des appels ou envoyer ou recevoir des signaux. Dans ce cas, augmentez la distance entre cette unité et les autres appareils ou éteignez-les.

Attention à la condensation

Si l'unité est déplacée d'un endroit froid à un endroit chaud, ou utilisée après un changement soudain de température, il existe un risque de condensation ; la vapeur de l'air peut se condenser sur le mécanisme interne, empêchant le bon fonctionnement. Pour empêcher cela ou si cela se produit, laissez l'unité une ou deux heures à la température de la nouvelle pièce avant de l'utiliser.

Nettoyage de l'unité

Essayez l'unité avec un chiffon sec et doux pour la nettoyer. Ne l'essuyez pas avec des lingettes de nettoyage contenant des produits chimiques, du diluant, de l'alcool ou d'autres agents chimiques. Cela pourrait endommager la surface ou causer une décoloration.

Présentation du Bluetooth®

Cette unité a un récepteur audio Bluetooth intégré, qui lui permet de produire le signal audio lu par un ordinateur ou un appareil audio portable compatible Bluetooth.

ATTENTION

Le fonctionnement et la liaison Bluetooth de cette unité ne sont pas garantis avec tous les appareils Bluetooth.

Conditions de transmission

C'est un appareil à transmission Bluetooth de classe 2. Il a une portée de transmission approximative de 10 mètres, mais cette distance peut varier en fonction des interférences dues aux obstacles et aux ondes électromagnétiques.

Un obstacle entre cette unité et un autre appareil Bluetooth peut interférer avec la transmission Bluetooth. Si cela se produit, retirez l'obstacle. De

plus, l'utilisation d'un réseau local (LAN) sans fil (IEEE 802.11b/g) ou d'un four à micro-ondes dans le même environnement de fonctionnement peut également interférer avec la transmission Bluetooth. Si cela se produit, cessez d'utiliser cet équipement ou déplacez cette unité et le périphérique Bluetooth à au moins 10 mètres de lui.

Profils

Cette unité prend en charge les profils Bluetooth suivants.

- A2DP (Advanced Audio Distribution Profile, c'est-à-dire profil de distribution audio avancée)

Les appareils Bluetooth doivent prendre en charge l'A2DP pour transmettre l'audio par Bluetooth.

Même s'ils ont le même profil Bluetooth, différents appareils Bluetooth peuvent néanmoins avoir des fonctions différentes qui dépendent de leurs caractéristiques propres.

Codecs

Cette unité prend en charge les codecs A2DP suivants et sélectionne automatiquement l'un d'entre eux durant la transmission audio.

- SBC
- AAC
- aptX

Elle sélectionnera le codec approprié à l'emploi en fonction de la prise en charge des codecs par l'appareil Bluetooth et des conditions de transmission.

NOTE

Vous ne pouvez pas utiliser de boutons pour par exemple sélectionner le codec.

De par la nature de la technologie sans fil du Bluetooth, la lecture déclenchée depuis cette unité démarrera légèrement plus tard que si elle l'était depuis l'appareil Bluetooth.

Protection du contenu

Cette unité prend en charge la protection de contenu par SCMS-T durant la transmission audio, ce qui permet la lecture d'un contenu audio protégé.

Sécurité de transmission

Cette unité prend en charge les fonctions de sécurité prévues par les normes Bluetooth durant la transmission Bluetooth, mais l'invisibilité de la transmission n'est pas garantie.

Notre société n'assumera absolument aucune responsabilité en cas de détournement de données durant la transmission Bluetooth.

Utilisation du site mondial TEAC

Vous pouvez télécharger depuis le site mondial TEAC (<http://teac-global.com/>) ce mode d'emploi nécessaire à cette unité.

1. Allez sur le site mondial TEAC (<http://teac-global.com/>).
2. Dans la section TASCAM Downloads (téléchargements TASCAM), cliquez sur la langue souhaitée afin d'ouvrir la page de téléchargement du site web pour cette langue.

NOTE

Si la langue désirée n'apparaît pas, cliquez sur Other Languages (autres langues).

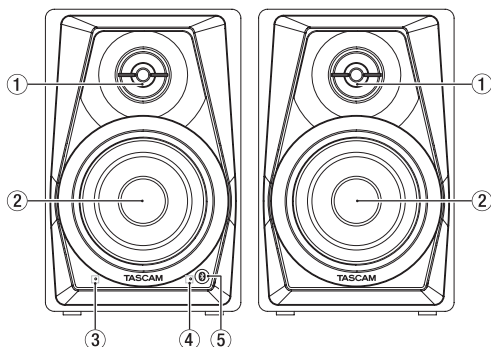
3. Cliquez sur le nom du produit dans la section « Produits » et ouvrez la page « Liens et téléchargements » de ce produit.
4. Sélectionnez et téléchargez le mode d'emploi et le manuel de référence nécessaires.

Enregistrement de l'utilisateur

Si vous êtes client aux USA, veuillez vous enregistrer en ligne comme utilisateur sur le site web TASCAM (<http://tascam.com/>)

Nomenclature et fonctions des parties

Face avant



Unité active

Unité passive

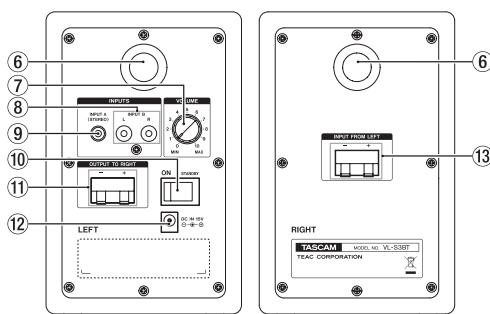
- 1 **Tweeter**
- 2 **Woofer**
- 3 **Voyant STANDBY/ON**
- 4 **Voyant Bluetooth**

L'allumage de ce voyant indique l'état de la connexion avec l'autre appareil Bluetooth.

Allumage du voyant	Signification
Éteint	Non connecté
Allumé	Connecté
Clignotant	Appairage

- 5 **Bouton d'appairage Bluetooth**

Face arrière



Unité active

Unité passive

- 6 **Évent bass reflex**
- 7 **Bouton de volume de sortie**
- 8 **Prises d'entrée RCA (cinch)**
- 9 **Prise d'entrée mini-jack stéréo**
- 10 **Commutateur STANDBY/ON**
- 11 **Bornier d'enceinte (sortie vers l'enceinte droite)**
Se connecte à l'unité passive.
- 12 **Connecteur d'alimentation DC IN 15V**
- 13 **Bornier d'enceinte (entrée reçue de l'enceinte gauche)**
Se connecte à l'unité active.

Préparation

Précautions avant de faire les branchements

- Lors du déballage des moniteurs, ne les saisissez pas par leur tweeter ou leur woofer.
- Branchez les câbles de signal et d'alimentation de sorte que rien ne les percute.
- Avant de mettre sous tension l'amplificateur intégré, baissez le volume du signal entrant. Mettre sous tension alors qu'un signal fort entre pourrait endommager l'enceinte.
- Ne l'utilisez pas à fort volume en continu et de façon prolongée. Cela pourrait endommager votre audition.
- Utilisez des cordons d'alimentation, des prises de courant, des câbles et connecteurs de signal audio non endommagés et exempts de courts-circuits et autres défauts.
- Réglez l'interrupteur d'alimentation sur STANDBY avant de brancher le cordon d'alimentation.
- N'envoyez pas à l'unité d'autres signaux que des signaux audio.
- Avant de connecter un signal audio à cette unité, vérifiez que le niveau d'entrée est réduit et que l'interrupteur d'alimentation de l'amplificateur de puissance intégré est réglé sur STANDBY.
- Utilisez toujours la bonne polarité.

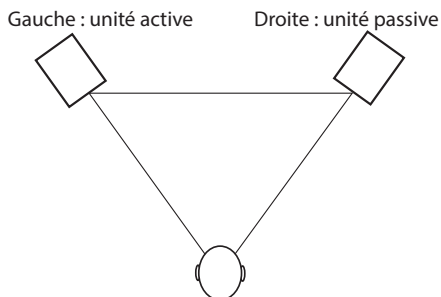
Branchements

1. Réglez l'interrupteur POWER sur STANDBY.
2. Connectez l'adaptateur secteur fourni (PS-P1524E) au moniteur, puis à la prise de courant.
3. Utilisez le câble de connexion fourni (RCA-jack 6,35 mm 2 points (TS) standard) pour relier la ou les prises d'entrée de l'unité active à la source de son.
4. Utilisez le câble d'enceinte fourni pour relier le bornier de sortie de l'unité active au bornier d'entrée de l'unité passive.

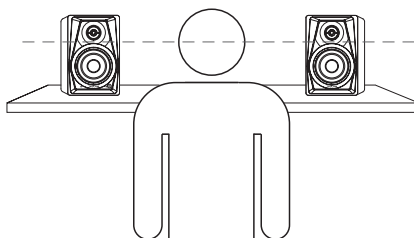
Installation

Installer correctement les enceintes est extrêmement important. Le volume des basses fréquences semblera changer en fonction de l'endroit où sont installées les enceintes. Essayez diverses positions d'installation afin de trouver les meilleurs endroits pour maximiser les capacités des enceintes.

- Placez l'unité active sur la gauche et l'unité passive sur la droite.
- Placez les enceintes de façon à ce qu'elles forment un triangle équilatéral avec la position d'écoute.



- Installez chacune pour que le haut de son woofer soit à hauteur d'oreille.



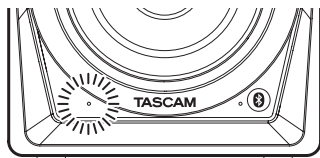
- N'installez pas les enceintes près de miroirs, de parois en verre ou d'autres surfaces réfléchissant le son. Ne placez rien entre les enceintes et la position d'écoute.

Changement de source d'entrée

Vous pouvez choisir le son produit par cette unité entre celui reçu par l'entrée ligne (prises d'entrée RCA ou mini-jack stéréo) et celui reçu par Bluetooth.

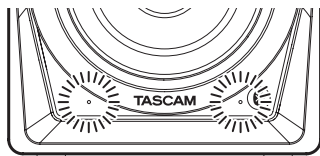
Pressez le bouton d'**appairage Bluetooth** pour alterner entre les sources d'entrée.

■ Quand une source d'entrée ligne est sélectionnée



Indicateur	Allumage
Voyant STANDBY/ON	Allumé
Voyant Bluetooth	Éteint

■ Lorsqu'une source d'entrée Bluetooth est sélectionnée



Indicateur	Allumage
Voyant STANDBY/ON	Allumé
Voyant Bluetooth	Allumé
	Clignotant

ATTENTION

Lors de la bascule sur l'entrée Bluetooth, si aucun appareil Bluetooth n'est appairé et connecté, le voyant **Bluetooth** clignote, indiquant que l'unité est prête pour l'appairage.

Lecture depuis un appareil Bluetooth

Ces enceintes peuvent produire le son lu sur des appareils compatibles Bluetooth (A2DP), comme des ordinateurs et des appareils audio portables.

Appairage

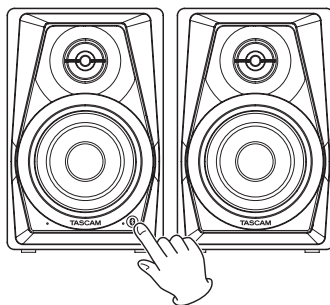
Suivez les procédures ci-dessous pour appairer l'unité avec un appareil Bluetooth afin de communiquer avec lui.

NOTE

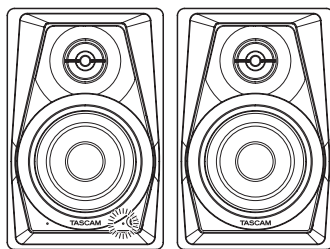
L'appairage nécessite aussi le paramétrage de l'appareil Bluetooth.

Pour des détails sur la façon de faire, référez-vous au mode d'emploi de cet appareil Bluetooth.

1. Pressez le bouton d'**appairage Bluetooth** sur l'enceinte.



Le voyant **Bluetooth** clignote, indiquant que l'appairage est possible.



2. Sur l'autre appareil Bluetooth, sélectionnez « VL-S3BT » (cette enceinte).

Une fois l'appairage réussi, le voyant **Bluetooth** cesse de clignoter et reste fixement allumé, indiquant que la connexion a été établie avec cet appareil.

Déconnexion d'un appareil appairé

Suivez les procédures ci-dessous pour mettre fin à la connexion établie depuis cette unité.

1. Pressez le bouton d'**appairage Bluetooth** et maintenez-le au moins deux secondes.
2. Le voyant Bluetooth clignote, indiquant qu'il est mis un terme à la connexion établie et que l'appairage est à nouveau possible.

Guide de dépannage

Si vous avez des problèmes de fonctionnement avec ce produit, veuillez essayer ce qui suit avant de solliciter une réparation.

Si ces mesures ne résolvent pas le problème, veuillez contacter le magasin auprès duquel vous avez acheté l'unité ou l'assistance clientèle TEAC (voir au dos de la couverture).

■ Les enceintes ne s'allument pas.

- Vérifiez que l'adaptateur secteur fourni (PS-P1524E) est bien branché à la fois à la prise secteur et à la prise d'alimentation CC.

■ Aucun son n'est produit.

- Vérifiez à nouveau la connexion avec l'appareil lecteur.
- Vérifiez le volume et les réglages de l'amplificateur.

■ Le son se coupe ou il y a du bruit.

- Vérifiez que les câbles de connexion n'ont pas de faux contacts.
- Y a-t-il un réseau local (LAN) sans fil, un autre appareil Bluetooth, un four à micro-ondes ou un équipement similaire à proximité ?
Gardez ces appareils à distance chaque fois que c'est possible.
- Gardez l'appareil Bluetooth à proximité de ces enceintes lorsque vous les utilisez ensemble.
Essayez de changer l'emplacement de l'appareil Bluetooth ou des enceintes.
- Si des applications autres que l'appli de lecture audio sont exécutées sur un smartphone, le son peut être coupé. Dans ce cas, arrêtez les applications autres que le lecteur audio.

■ Impossible de se connecter ou la communication est interrompue.

- Vérifiez que l'appareil Bluetooth est alimenté et que sa fonction Bluetooth est activée.
- L'appareil Bluetooth est-il trop loin ? Y a-t-il un mur ou un autre obstacle entre l'appareil et les enceintes ?

Si l'appareil Bluetooth se trouve derrière les enceintes, la communication risque d'être bloquée par les enceintes elles-mêmes.

Essayez de changer l'emplacement de l'appareil Bluetooth ou des enceintes.

- Éteignez les enceintes et rallumez-les.
- Annulez l'appairage des VL-S3BT avec l'autre appareil Bluetooth et suivez à nouveau les procédures de « Appairage » en page 20.

■ L'appairage n'est pas possible.

- Vérifiez que l'appareil Bluetooth connecté prend en charge l'A2DP.
- Vérifiez que l'appareil Bluetooth que vous souhaitez connecter est dans un état lui permettant de communiquer. Pour des détails, consultez le mode d'emploi de cet appareil Bluetooth.
- Éteignez à la fois les enceintes et l'appareil Bluetooth. Rallumez-les et essayez à nouveau de les appairer.
- Éteignez tous les appareils Bluetooth excepté celui que vous essayez d'appairer avec les enceintes.
- Annulez l'appairage des VL-S3BT avec l'appareil Bluetooth, et refaites l'appairage.

Caractéristiques techniques

Générales

■ Puissance de sortie efficace maximale (distorsion : 10 %)

14 W + 14 W

■ Haut-parleurs

Woofer de 3 pouces (76,2 mm)

Tweeter de 0,5 pouce (12,7 mm)

■ Enceinte

Type bass reflex

■ Réponse en fréquence

80 Hz – 22 kHz

■ Fréquence de répartition (crossover)

8 kHz

■ Sensibilité

-4,8 dBV (580 mV) 14 W+14 W

■ Prises d'entrée externe

Prises RCA, mini-jack stéréo

■ Impédance d'entrée

50 kΩ

■ Bluetooth

Version Bluetooth : 4.0

Classe de sortie : classe 2 (distance de communication sans obstacle : environ 10 m*)

Profil pris en charge : A2DP

Codecs A2DP pris en charge : SBC, AAC, aptX

Protection de contenu A2DP prise en charge : SCMS-T

*Cette distance de communication est une estimation. La distance de communication peut varier en fonction de l'environnement et des ondes électromagnétiques.

■ Alimentation

Adaptateur secteur (PS-P1524E)

Tension d'entrée : CA 100-240 V (50/60 Hz)

Tension de sortie : CC 15 V

Courant en sortie : 2,4 A

■ Consommation électrique

6,5 W

■ Dimensions

110 × 170 × 138 mm

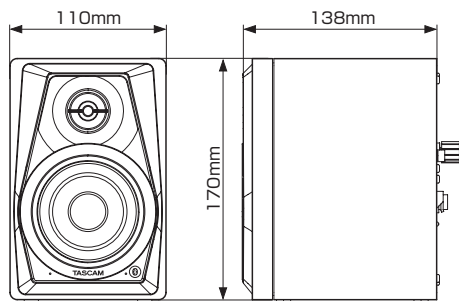
(largeur × hauteur × profondeur, sauf parties saillantes)

■ Poids

Unité active : 1,1 kg

Unité passive : 1,0 kg

Dessin avec cotes



- Les illustrations de ce mode d'emploi peuvent partiellement différer du produit réel.
- Caractéristiques et aspect externe peuvent être changés sans préavis en vue d'améliorer le produit.

Certificación de cumplimiento e información

Este producto es un emisor de banda ancha que utiliza la banda de 2.4 GHz.

Rango de frecuencia usada: 2400 - 2480 MHz

Potencia de salida máxima: Bluetooth® Class2 (inferior a 2.5 mW)

PRECAUCIÓN

Utilice este aparato únicamente en el país en el que haya sido comercializado.

- La legislación para el uso de dispositivos inalámbricos varía de un país/región a otro.
- Dependiendo del país, es posible que existan limitaciones en el uso de la tecnología Bluetooth inalámbrica.

PRECAUCIÓN

Cualquier cambio o modificación de este aparato que no haya sido aprobado expresamente y por escrito por TEAC CORPORATION puede anular la autorización del usuario a utilizar este aparato.

Requisitos de exposición a radiaciones

Este aparato cumple la normativa, aceptada a nivel internacional, relativa a los riesgos de la exposición de los seres humanos a las ondas de radio generadas por emisores.

■ Modelos para Estados Unidos

Este aparato cumple con lo expuesto en la sección 15 de las Normas FCC. Su funcionamiento está sujeto a las dos condiciones siguientes: (1) este aparato no puede producir interferencias molestas, y (2) este aparato debe aceptar cualquier interferencia recibida, incluyendo aquellas que puedan producir un funcionamiento no deseado.

Etiqueta de autorización

FCC ID: XEG-VLS3BT

Se ha verificado que este aparato cumple con los límites establecidos para un dispositivo digital de Clase B, de acuerdo a lo expuesto en la sección 15 de las Normas FCC. Estos límites han sido diseñados para ofrecer una protección razonable contra las interferencias molestas en instalaciones no profesionales. Este aparato genera, usa y

puede emitir energía de radiofrecuencias y, si no es instalado y usado de acuerdo a lo especificado en este manual de instrucciones puede dar lugar a interferencias molestas en las comunicaciones de radio. No obstante, tampoco hay garantías de que no se produzcan ese tipo de interferencias en una instalación concreta. Si este aparato produce interferencias molestas en la recepción de la radio o TV (lo que puede determinar encendiendo y apagando el aparato), el usuario será el responsable de tratar de corregirlas usando una o más de las siguientes medidas.

- a) Reorientar o reubicar la antena receptora.
- b) Aumentar la separación entre este aparato y el receptor.
- c) Conectar este aparato a una salida de corriente o regleta diferente a la que esté conectado el receptor.
- d) Consultar a su distribuidor o a un técnico especialista en radio/TV para que le ayuden.

Requisitos de exposición a radiaciones

Este aparato cumple con los límites de exposición a radiaciones de las Normas FCC anteriores en cuanto a entornos no controlados y cumple también con las Normas Generales de exposición a radiofrecuencias de la FCC.

■ Modelos para Canadá

Cumplimiento de normativas de emisor de radio

Este aparato cumple con la normativa canadiense de RSS sin licencia. Su funcionamiento está sujeto a las dos condiciones siguientes:

- (a) este aparato no puede producir interferencias molestas, y
- (b) este aparato debe aceptar cualquier interferencia recibida, incluyendo aquellas que puedan producir un funcionamiento no deseado.

Etiqueta de autorización

IC: 1559C-VLS3BT

Cumplimiento de normativas de interferencias

Este aparato digital de clase B cumple con la normativa canadiense ICES-003.

Etiqueta de autorización

CAN ICES-3(B)/NMB-3(B)

Requisitos de exposición a radiaciones

Este aparato cumple con los límites de exposición a radiaciones fijados en la IC RSS-102 para entornos no controlados.

■ Modelos para Europa



Por la presente, TEAC Corporation declara que este dispositivo de radio de tipo VL-S3BT cumple con la Directiva 2014/53/EU y otras Directivas y Normativas fijadas por la Comisión Europea.

El texto completo de la declaración de conformidad EU está disponible en la siguiente dirección de internet:

<http://tascam.eu/en/kontakt.html>

En caso de cualquier duda, póngase en contacto con nosotros vía email

Importador para Europa: TEAC Europe GmbH
Bahnstrasse 12, 65205 Wiesbaden-Erbenheim,
Germany

Requisitos de exposición a radiaciones

Este aparato cumple con la EN.62311; Fijación de límites de los dispositivos eléctricos y electrónicos relativa a restricciones a la exposición de los seres humanos a campos electromagnéticos y el standard armonizado de la DIRECTIVA 2014/53/EU.

INSTRUCCIONES IMPORTANTES DE SEGURIDAD

- 1 Lea estas instrucciones.
- 2 Conserve estas instrucciones.
- 3 Cumpla con lo indicado en los avisos.
- 4 Siga todas las instrucciones.
- 5 No utilice este aparato cerca del agua.
- 6 Límpielo solo con un trapo seco.
- 7 No bloquee ninguna de las ranuras de ventilación. Instale este aparato de acuerdo con las instrucciones del fabricante.
- 8 No instale este aparato cerca de fuentes de calor como radiadores, calentadores, hornos u otros aparatos (incluyendo amplificadores) que produzcan calor.
- 9 No elimine el sistema de seguridad que supone el enchufe polarizado o con toma de tierra. Un enchufe polarizado tiene dos bornes, uno más ancho que el otro. Uno con toma de tierra tiene dos bornes iguales y una tercera lámina para la conexión a tierra. El borne ancho o la lámina se incluyen para su seguridad. Si el enchufe que venga con la unidad no encaja en su salida de corriente, haga que un electricista cambie su salida anticuada.

10 Evite que el cable de corriente quede de forma que pueda ser pisado o quedar retorcido o aplastado, especialmente en los enchufes, receptáculos o en el punto en el que salen del aparato.

11 Use solo accesorios / complementos especificados por el fabricante.

12 Utilice este aparato solo con un soporte, trípode, o bastidor especificado por el fabricante o que se venda con el propio aparato. Cuando utilice un bastidor con ruedas, tenga cuidado al mover la combinación de aparato/bastidor para evitar que vuelque y puedan producirse daños.



13 Desconecte este aparato de la corriente durante las tormentas eléctricas o cuando no lo vaya a usar durante un periodo de tiempo largo.

14 Dirija cualquier posible reparación solo al servicio técnico oficial. Este aparato deberá ser reparado si se ha dañado de alguna forma, como por ejemplo si el cable de corriente o el enchufe están rotos, si ha sido derramado algún líquido sobre la unidad o algún objeto ha sido introducido en ella, si ha quedado expuesto a la lluvia o la humedad, si no funciona normalmente o si ha caído al suelo en algún momento.

- Este aparato recibe corriente nominal no operativa de la salida de corriente AC aun cuando su interruptor POWER o STANDBY/ON no esté en la posición ON.
- Dado que el cable de alimentación es el sistema de desconexión de esta unidad debe ubicarla de forma que siempre pueda acceder a él.
- Tenga cuidado al usar auriculares de cualquier tipo con este aparato dado que una presión sonora excesiva en los auriculares puede producirle daños auditivos.
- Si detecta cualquier tipo de problema mientras utiliza este aparato, póngase en contacto con TEAC para informar de ello y hacer que la unidad sea revisada o reparada.

PRECAUCIÓN

- No permita que este aparato quede expuesto a salpicaduras de ningún tipo.
- No coloque objetos que contengan líquidos, como jarrones, sobre este aparato.
- No instale este aparato encastrado en una librería o mueble similar.
- El aparato debe estar colocado lo suficientemente cerca de la salida de corriente como para poder acceder al enchufe en cualquier momento.

- Si este aparato utiliza pilas (incluyendo baterías fijas o recambiables), no permita que queden expuestas a la luz solar, fuego o un nivel excesivo de calor.
- ATENCIÓN con los productos que utilicen baterías de litio recambiables: existe el riesgo de explosión en caso de sustituir la batería por otra de un tipo incorrecto. Sustitúyala solo por una idéntica o de tipo equivalente.

EN ESTADOS UNIDOS/CANADÁ, UTILICE SOLO FUENTES DE ALIMENTACIÓN DE 120 V.

■ Para los usuarios europeos

Eliminación de aparatos eléctricos y electrónicos

- Nunca debe eliminar un aparato eléctrico o electrónico junto con el resto de la basura orgánica. Este tipo de aparatos deben ser depositados en los “puntos limpios” creados a tal efecto por su Ayuntamiento o por la empresa de limpieza local.
- Con la correcta eliminación de los aparatos eléctricos y electrónicos estará ayudando a ahorrar valiosos recursos y evitará a la vez todos los efectos negativos potenciales tanto para la salud como para el entorno.
- Una eliminación incorrecta de este tipo de aparatos junto con la basura orgánica puede producir efectos graves en el medio ambiente y en la salud a causa de la presencia de sustancias potencialmente peligrosas que pueden contener.
- El símbolo del cubo de basura tachado indica la obligación de separar los aparatos eléctricos y electrónicos del resto de basura orgánica a la hora de eliminarlos.
- Los llamados “puntos limpios” de recogida y retirada selectiva de este tipo de productos están disponibles para cualquier usuario final. Para más información acerca de la eliminación de este tipo de elementos, póngase en contacto con el departamento correspondiente de su Ayuntamiento, empresa de limpieza o recogida de basuras o con el comercio en el que adquirió este aparato.



Índice

Certificación de cumplimiento e información	23
INSTRUCCIONES IMPORTANTES DE SEGURIDAD.....	24
Introducción	26
Características.....	26
Elementos incluidos.....	26
Acerca de este manual.....	26
Precauciones sobre la ubicación y uso.....	26
Cuidado con la condensación.....	27
Limpieza de la unidad.....	27
Resumen del Bluetooth®	27
Condiciones para la transmisión	27
Perfiles.....	27
Codecs	27
Protección del contenido.....	27
Seguridad de la transmisión	27
Uso de la página web global de TEAC	28
Registro de usuario	28
Nombre y función de las partes	28
Panel frontal	28
Panel trasero	28
Preparativos	29
Precauciones previas a la conexión	29
Conexiones.....	29
Instalación.....	29
Cambio de la fuente de entrada	30
Reproducción desde un dispositivo Bluetooth	30
Sincronización	30
Finalización de una conexión sincronizada.....	31
Resolución de problemas.....	31
Especificaciones técnicas	32
General.....	32
Esquema de dimensiones.....	32

Introducción

Felicidades y gracias por su compra de los Monitores autoamplificados de sobremesa TASCAM VL-S3BT.

Antes de conectar y comenzar a usar esta unidad, dedique unos minutos a leer completamente este manual para asegurarse de que entiende cómo usarla y garantizarse así años de disfrute. Una vez que haya leído el manual, consérvelo en un lugar seguro para cualquier posible referencia a él en el futuro.

También puede descargarse este manual desde la página web global de TEAC (<http://teac-global.com/>).

Características

- Woofer de 3 pulgadas (76.2 mm)
 - Tweeter de 0.5 pulgada (12.7 mm)
 - Etapa de potencia interna de 14W+14W
 - Tomas de entrada RCA
 - Toma de entrada stereo mini
 - Control de volumen interno
 - Receptor audio Bluetooth interno capaz de recibir audio de alta calidad usando decodificación SBC, AAC y aptX®
-

Elementos incluidos

Dentro del embalaje encontrará lo siguiente.

Tenga cuidado al abrir el embalaje para no dañar ninguno de los elementos. Conserve el embalaje y las protecciones por si alguna vez necesita transportar el aparato.

Póngase en contacto con nosotros si echa en falta alguno de los elementos siguientes o si observa que alguno ha resultado dañado durante el transporte.

- Unidades principales
 - Unidad activa.....× 1
 - Unidad pasiva.....× 1
- Adaptador de corriente (PS-P1524E).....× 1
- Cable de altavoz.....× 1
- Cable con adaptador de RCA a TS standard de 6.3 mm (1/4").....× 1
- Manual de instrucciones (este documento) incluyendo garantía.....× 1

CUIDADO

Utilice siempre el adaptador de corriente incluido (PS-P1524E) al usar este aparato. No utilice nunca este adaptador con ningún otro dispositivo. El hacerlo podría dar lugar a averías, un incendio o una descarga eléctrica.

Acerca de este manual

En este manual utilizamos los siguientes convencionalismos.

- Cuando hagamos referencia a botones, controles y otras partes de este aparato, utilizaremos el siguiente formato: interruptor **Power**.
- Los dispositivos que pueden ser conectados a esta unidad vía Bluetooth, incluyendo ordenadores y dispositivos audio portátiles son llamados de forma global "dispositivos Bluetooth".
- Además también encontrará información adicional en los siguientes formatos.

AVISO

Son avisos y consejos relativos al uso de este aparato.

NOTA

Son explicaciones sobre actuaciones para casos concretos.

CUIDADO

Esto le advierte que puede dañar el equipo o perder datos si no sigue las instrucciones.

Precauciones sobre la ubicación y uso

- El rango de temperaturas seguro para el uso de este aparato es entre 5–35 °C.
- Para evitar que se degrade la calidad del sonido o que se produzcan averías, no instale la unidad en estas ubicaciones.

Lugares con fuertes vibraciones o inestables
Cerca de ventanas u otros lugares en los que queden expuestos a la luz solar directa

Cerca de radiadores o en lugares excesivamente calurosos

Lugares demasiado fríos

Lugares mal ventilados o muy húmedos

- Para permitir una correcta disipación del calor, no coloque nada encima de esta unidad.
- No coloque este aparato encima de una etapa de potencia u otro aparato que genere mucho calor.
- Si coloca esta unidad cerca de una etapa de potencia u otros dispositivo con un gran transformador, se puede producir un zumbido. En ese caso, separe ambas unidades lo más posible.

- Esta unidad puede producir irregularidades en el color o ruidos cuando la use cerca de un monitor de TV o una radio. En ese caso, aleje ambas unidades lo máximo posible.
- Esta unidad puede producir ruidos en las inmediaciones de un móvil u otros dispositivos inalámbricos. En ese caso, separe ambas unidades lo máximo posible.

Cuidado con la condensación

Si traslada la unidad de un lugar frío a uno cálido o si la usa después de un cambio fuerte de temperatura, puede producirse condensación de agua; el vapor de agua puede condensarse en el mecanismo interno, haciendo que no funcione correctamente. Para evitar esto o si se produce la condensación, deje la unidad durante una o dos horas a la nueva temperatura ambiente antes de usarla de nuevo.

Limpieza de la unidad

Para limpiar la unidad, utilice un trapo suave y seco. No use gasolina, alcohol u otros productos similares ya que podría dañar su superficie.

Resumen del Bluetooth®

Esta unidad dispone de un receptor audio Bluetooth interno que le permite dar salida a la reproducción audio de un ordenador o dispositivo audio portátil que admita Bluetooth.

CUIDADO

No está garantizada la conexión y funcionamiento de las operaciones Bluetooth de esta unidad con todos los dispositivos Bluetooth.

Condiciones para la transmisión

Esta unidad es un dispositivo de salida de transmisión Bluetooth de clase 2.

Dispone de un rango de transmisión aproximado de 10 m, si bien ese rango puede variar debido a interferencias de obstáculos y ondas electromagnéticas.

Un obstáculo entre esta unidad y otro dispositivo Bluetooth puede interferir la transmisión Bluetooth. Si se produce esto, elimine el obstáculo. Además, el uso de una LAN inalámbrica (IEEE802.11b/g) o un horno microondas en las inmediaciones de este aparato también puede interferir la transmisión Bluetooth. En ese caso, deje de usar ese aparato o separe este dispositivo Bluetooth a más de 10 m del aparato que produce las interferencias.

Perfiles

Esta unidad admite los siguientes perfiles Bluetooth.

- A2DP (Advanced Audio Distribution Profile)

Los dispositivos Bluetooth deben aceptar el perfil A2DP para poder transmitir audio vía Bluetooth.

No obstante, incluso aunque tengan el mismo perfil Bluetooth, es posible que diferentes dispositivos Bluetooth tengan funciones distintas dependiendo de sus especificaciones.

Codecs

Esta unidad admite los siguientes codecs A2DP y elige uno de ellos automáticamente durante la transmisión audio.

- SBC
- AAC
- aptX

La unidad elegirá el codec adecuado para usar de acuerdo a los codecs admitidos por el otro dispositivo Bluetooth y a las condiciones de la transmisión.

NOTA

No puede elegir el codec a usar (a través de ningún botón o menú).

Debido a la naturaleza de la tecnología inalámbrica Bluetooth, la reproducción desde esta unidad empezará ligeramente más tarde de la activación en el dispositivo Bluetooth.

Protección del contenido

Esta unidad admite protección del contenido SCMS-T durante la transmisión audio, lo que permite la reproducción de audio protegido.

Seguridad de la transmisión

Esta unidad admite funciones de seguridad durante la transmisión Bluetooth de acuerdo a los standards Bluetooth, si bien no está garantizada la invisibilidad de la transmisión.

Nuestra empresa no acepta ninguna responsabilidad por posibles pérdidas o fugas de datos durante la transmisión Bluetooth.

Uso de la página web global de TEAC

Desde la web global de TEAC (<http://teac-global.com/>) podrá descargarse este Manual de instrucciones.

1. Vaya a la web global de TEAC (<http://teac-global.com/>).
2. En la sección TASCAM Downloads, haga clic en el idioma que quiera para acceder a la página de descargas en dicho idioma.

NOTA

Si no aparece el idioma que busca, haga clic en Other Languages.

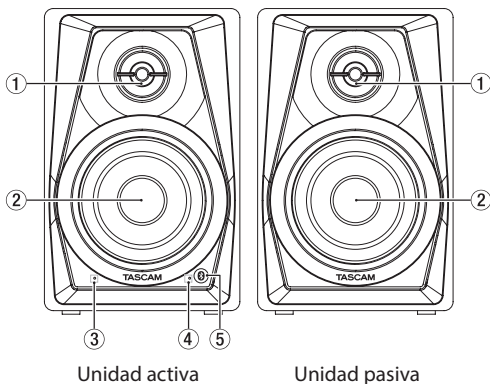
3. Haga clic en el nombre de producto en la sección "Search by Model Name" para acceder a la página de descargas de dicho producto.
4. Elija y descargue el Manual de instrucciones y el Manual de referencia cuando lo necesite.

Registro de usuario

Aquellos que hayan adquirido este aparato en los Estados Unidos, vayan a la página web de TASCAM (<http://tascam.com/>) para registrarse online como usuario.

Nombre y función de las partes

Panel frontal



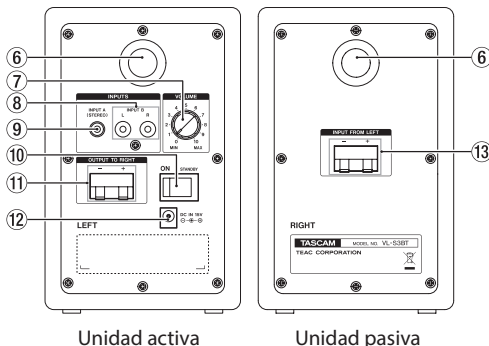
- 1 **Tweeter**
- 2 **Woofer**
- 3 **Indicador STANDBY/ON**

- 4 **Indicador Bluetooth**
Este piloto se ilumina para indicar el estado de la conexión con el otro dispositivo Bluetooth.

Estado	Apagado
Apagado	No conectado
Encendido	Conectado
Parpadeando	Sincronización

- 5 **Botón de sincronización Bluetooth PAIRING**

Panel trasero



- 6 **Tobera de graves reflex**
- 7 **Mando de volumen de salida**
- 8 **Tomas de entrada RCA**
- 9 **Entrada mini stereo**
- 10 **Interruptor STANDBY/ON**
- 11 **Terminal de salida de altavoz (OUTPUT TO RIGHT)**
Conexión para la unidad pasiva
- 12 **Conector DC IN 15V**
- 13 **Terminal de entrada de altavoz (INPUT FROM LEFT)**
Conexión a la unidad activa

Preparativos

Precauciones previas a la conexión

- A la hora de desembalar estos recintos, no los sujete por los tweeters o woofers sino por el propio recinto.
- Conecte los cables de señal y de corriente de forma que no queden atrapados o aplastados.
- Antes de encender el amplificador interno, reduzca al mínimo el volumen de la señal de entrada. El encender el amplificador mientras recibe una señal muy potente puede llegar a dañar los altavoces.
- No utilice estas unidades al volumen máximo de forma continua. El hacerlo puede producirle daños auditivos o incluso sordera crónica.
- Use cables de alimentación, salidas de corriente, regletas, cables de señal audio y conectores que no tengan ningún tipo de defecto.
- Antes de conectar el cable de corriente, coloque el interruptor de encendido en OFF.
- Nunca conecte señales a esta unidad que no sean audio (señales de datos, por ejemplo).
- Antes de conectar una señal audio a esta unidad, confirme que el nivel de dicha señal de entrada esté al mínimo y que el interruptor de encendido de la etapa de potencia interna esté en OFF.
- Use siempre la polaridad correcta para las señales.

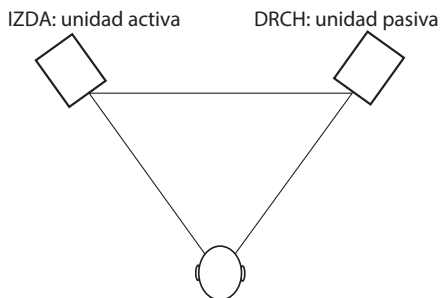
Conexiones

1. Coloque el interruptor de encendido en OFF.
2. Conecte el adaptador de corriente incluido (PS-P1524E) al altavoz y el otro extremo a una salida de corriente alterna.
3. Use el cable de conexión incluido (RCA-TS standard de 6.3 mm (1/4")) para conectar las entradas de la unidad activa a la unidad de salida.
4. Use el cable de altavoz incluido para conectar el terminal de salida de la unidad activa al terminal de entrada de la unidad pasiva.

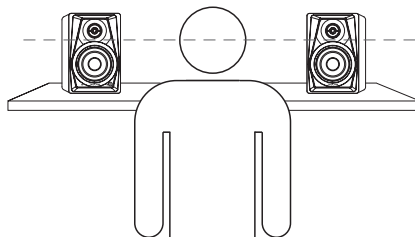
Instalación

Una instalación correcta de los altavoces es extremadamente importante. El volumen de las frecuencias graves parecerá variar de acuerdo a la posición en la que instale los altavoces. Pruebe con distintas ubicaciones hasta localizar la mejor de cara a maximizar las capacidades de sus altavoces.

- Coloque la unidad activa a la izquierda y la unidad pasiva a la derecha.
- Coloque ambas unidades de manera que formen un triángulo equilátero con respecto a la posición de escucha.



- Instale cada uno de los altavoces de forma que la parte superior de cada woofer quede a la altura del oído.



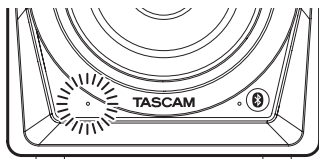
- No instale los altavoces cerca de espejos, cristales u otras superficies que reflejen el sonido. No coloque ningún objeto entre los altavoces y la posición de escucha.

Cambio de la fuente de entrada

Puede elegir entre si la señal audio emitida por esta unidad es la señal recibida por la entrada de línea (tomas RCA o clavija mini stereo) o el audio recibido vía Bluetooth.

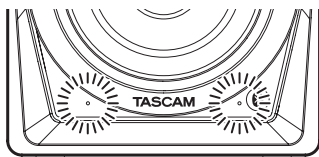
Pulse el botón **Bluetooth PAIRING** para cambiar de una fuente audio a otra.

■ Con una fuente de entrada de línea seleccionada



Indicador	Estado
Indicador STANDBY/ON	Encendido
Indicador Bluetooth	Apagado

■ Con una fuente de entrada Bluetooth seleccionada



Indicador	Estado
Indicador STANDBY/ON	Encendido
Indicador Bluetooth	Encendido Parpadeando

CUIDADO

*Cuando cambie a la entrada Bluetooth, si no hay ningún dispositivo Bluetooth sincronizado y conectado, el indicador **Bluetooth** parpadeará para indicarle que la unidad está lista para la sincronización.*

Reproducción desde un dispositivo Bluetooth

Estos altavoces pueden dar salida a la reproducción audio de dispositivos que admitan Bluetooth (A2DP), incluyendo ordenadores y dispositivos audio portátiles.

Sincronización

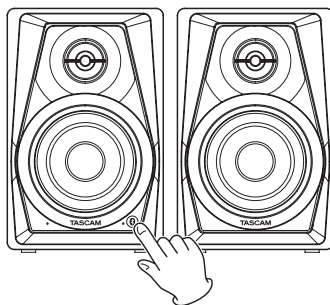
Realice los pasos siguientes para sincronizar esta unidad con el otro dispositivo Bluetooth de cara a que puedan comunicarse entre sí.

NOTA

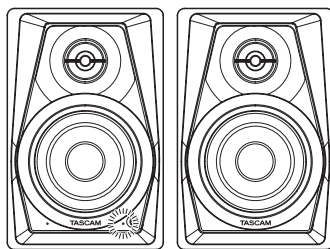
La sincronización también requiere la configuración y/o ajustes del otro dispositivo Bluetooth.

Para ver todos los detalles acerca de cómo hacer esto, consulte el manual de instrucciones de su otro dispositivo Bluetooth.

1. Pulse el botón **Bluetooth PAIRING** del altavoz.



El indicador **Bluetooth** parpadeará para indicarle que es posible la sincronización.



2. En el otro dispositivo Bluetooth, elija "VL-S3BT" (este altavoz).

Una vez que la sincronización haya sido correcta, el indicador **Bluetooth** dejará de parpadear y se quedará encendido para indicarle que la conexión con dicho dispositivo ha quedado completada.

Finalización de una conexión sincronizada

Realice los pasos siguientes para finalizar una conexión sincronizada con esta unidad.

1. Mantenga pulsado el botón **Bluetooth PAIRING** durante, al menos, dos segundos.
2. El indicador Bluetooth parpadeará para hacerle saber que la conexión sincronizada ha sido finalizada y que puede realizar una nueva sincronización.

Resolución de problemas

Si tiene problemas al utilizar esta unidad, pruebe los siguientes pasos antes de enviarla al servicio técnico para su reparación.

Si estas medidas continúan sin resolver los problemas, póngase en contacto con el comercio en el que adquirió la unidad o con el servicio técnico de TEAC (vea la contraportada).

■ Los altavoces no se encienden.

- Compruebe que el adaptador de corriente incluido (PS-P1524E) esté conectado correctamente a una salida de corriente alterna y a la toma DC.

■ No es emitido ningún sonido.

- Compruebe de nuevo la conexión con el dispositivo reproductor.
- Compruebe el volumen y los ajustes del amplificador.

■ El sonido se corta o hay mucho ruido.

- Compruebe que los cables de conexión no estén dañados en ningún punto.
- ¿Hay en las inmediaciones de esta unidad una LAN inalámbrica, otro dispositivo Bluetooth, un horno microondas u otro aparato similar?
Mantenga este tipo de unidades lo más lejos posible.
- Mantenga el otro dispositivo Bluetooth lo más cerca posible de estos altavoces cuando los esté usando juntos. Si es necesario, pruebe a cambiar la posición del otro dispositivo Bluetooth o de estos altavoces.
- Si está usando en su smartphone otro tipo de app aparte de la de reproducción audio, es posible que el sonido se corte. En ese caso, detenga la ejecución de cualquier otra app que no sea la de reproducción audio.

■ La conexión no es posible o la conexión se interrumpe.

- Confirme que el otro dispositivo Bluetooth esté encendido y que la función Bluetooth esté activa.
- ¿Está el dispositivo Bluetooth demasiado alejado? ¿Hay una pared u otro obstáculo entre ese dispositivo y estos altavoces?

Si el dispositivo Bluetooth está detrás de estos altavoces, los propios altavoces es posible que bloqueen la comunicación.

Pruebe a cambiar la posición del otro dispositivo Bluetooth y/o de estos altavoces.

- Apague y vuelva a encender estos altavoces.
- Finalice la sincronización de los VL-S3BT con respecto al otro dispositivo Bluetooth y repita los pasos de "Sincronización" en pág. 30.

■ No es posible la sincronización.

- Confirme que el dispositivo Bluetooth conectado admita A2DP.
- Confirme que el dispositivo Bluetooth que quiere conectar está en un estado que permite la comunicación. Para más detalles sobre esto, consulte el manual de instrucciones de dicho dispositivo Bluetooth.
- Apague tanto estos altavoces como el otro dispositivo Bluetooth. Vuelva a encenderle y trate de realizar la sincronización otra vez.
- Apague cualquier otro dispositivo Bluetooth que no sea el que está tratando de sincronizar con los altavoces.
- Finalice la sincronización del VL-S3BT del otro dispositivo Bluetooth y vuelva a sincronizarlos.

Especificaciones técnicas

General

■ Salida efectiva máxima (distorsión: 10%)

14W + 14W

■ Componentes del altavoz

Woofer de 3 pulgadas (76.2 mm)

Tweeter de 0.5 pulgadas (12.7mm)

■ Recinto

Reflex de graves

■ Respuesta de frecuencia

80 Hz–22 kHz

■ Frecuencia de separación o crossover

8 kHz

■ Sensibilidad

–4.8 dBV (580 mV) 14 W+14 W

■ Tomas de entrada externas

RCA, toma mini stereo

■ Impedancia de entrada

50 k Ω

■ Bluetooth

Versión Bluetooth: 4.0

Clase de salida: Clase 2 (Distancia de comunicación sin obstáculos: unos 10 m*)

Perfil admitido: A2DP

Codecs A2DP admitidos: SBC, AAC y aptX

Protección de contenidos A2DP admitida: SCMS-T

*Esta distancia para las comunicaciones es una estimación. La distancia final puede variar dependiendo del entorno y de las condiciones de las ondas.

■ Alimentación

Adaptador de corriente (PS-P1524E)

Voltaje de entrada: CA 100–240 V (50/60 Hz)

Voltaje de salida: DC 15 V

Amperaje de salida: 2.4 A

■ Consumo

6.5 W

■ Dimensiones

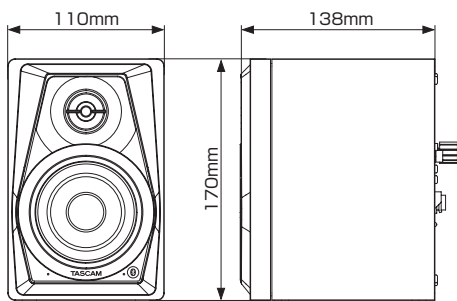
110 × 170 × 138 mm (anchura × altura × profundidad, excluyendo salientes)

■ Peso

Unidad activa: 1.1 kg

Unidad pasiva: 1.0 kg

Esquema de dimensiones



- Las ilustraciones y otras imágenes mostradas aquí pueden variar con respecto a las del aparato real.
- De cara a mejoras en el producto, tanto las especificaciones técnicas como el aspecto exterior están sujetos a cambios sin previo aviso.

Bedienungsanleitung

Konformitätserklärung und weitere Informationen

Dieses Gerät arbeitet als Breitbandsender im 2,4-GHz-Band.

Arbeitsfrequenzbereich: 2400–2480 MHz

Maximale Ausgangsleistung: Bluetooth® Klasse 2 (weniger als 2,5 mW)

Wichtig

Verwenden Sie dieses Produkt nur in dem Land, in dem Sie es erworben haben.

- In anderen Ländern und Regionen gelten möglicherweise andere Voraussetzungen für den Betrieb von Funkgeräten.
- In manchen Ländern könnte der Betrieb von Bluetooth-Geräten Beschränkungen unterliegen.

Wichtig

Durch Änderungen oder Modifikationen, die die TEAC Corporation nicht ausdrücklich genehmigt hat, kann der Benutzer die Berechtigung zum Betrieb dieses Gerätes verlieren.

Erklärung zur Strahlenbelastung

Dieses Gerät erfüllt die international anerkannten Bestimmungen für die Strahlenbelastung von Menschen durch ausgesendete Funkwellen.

■ Modell für die USA

Dieses Gerät entspricht den Anforderungen von Abschnitt 15 der FCC-Bestimmungen. Der Betrieb unterliegt den folgenden beiden Bedingungen:

(1) Dieses Gerät darf keine schädlichen Störungen verursachen. (2) Dieses Gerät muss empfangene Störungen jeglicher Art tolerieren, darunter auch solche, die den Betrieb beeinträchtigen.

Zulassungskennzeichnung

FCC ID: XEG-VLS3BT

Dieses Gerät wurde auf die Einhaltung der Grenzwerte für ein Digitalgerät der Klasse B gemäß Teil 15 der FCC-Bestimmungen hin geprüft. Diese Grenzwerte gewährleisten einen angemessenen Schutz vor schädlichen Störungen in einer häuslichen Umgebung. Dieses Gerät arbeitet mit Hochfrequenzenergie, die ausgestrahlt werden kann, und kann

bei unsachgemäßer, nicht der Bedienungsanleitung des Herstellers entsprechender Installation und Verwendung Störungen des Rundfunkempfangs verursachen. Es gibt jedoch keine Garantie, dass in einer bestimmten Installation keine Störungen auftreten. Falls das Gerät nachweislich Störungen des Radio- oder Fernsehempfangs verursacht, was sich durch Aus- und Einschalten des Geräts überprüfen lässt, sollten Sie eine oder mehrere der folgenden Maßnahmen ergreifen.

- (a) Richten Sie Ihre Empfangsantenne neu aus, oder stellen Sie sie an einem anderen Ort auf.
- (b) Vergrößern Sie den Abstand zwischen dem Gerät und dem Empfänger.
- (c) Schließen Sie das Gerät und den Empfänger an unterschiedliche Stromkreise an.
- (d) Wenden Sie sich an Ihren Fachhändler oder an einen Radio-/Fernsehtechniker.

Erklärung zur Strahlenbelastung

Dieses Gerät hält die FCC-Grenzwerte für Hochfrequenzstrahlung in einer unkontrollierten Umgebung ein und erfüllt die Richtlinien der FCC zum Schutz vor Funkstrahlung.

■ Modell für Kanada

Konformität des Funksenders

Dieses Gerät erfüllt die RSS-Normen für lizenzfreie Frequenzbänder von Industry Canada. Der Betrieb unterliegt den folgenden beiden Bedingungen:

- (a) Dieses Gerät darf keine Störungen verursachen; und
- (b) Dieses Gerät muss Störungen jeglicher Art tolerieren, darunter auch solche, die den Betrieb beeinträchtigen.

Zulassungskennzeichnung

IC: 1559C-VLS3BT

Elektromagnetische Verträglichkeit

Dieses Digitalgerät der Klasse B erfüllt die Anforderungen der kanadischen Norm ICES-003.

Zulassungskennzeichnung

CAN ICES-3(B)/NMB-3(B)

Erklärung zur Strahlenbelastung

Dieses Gerät hält die in IC RSS-102 festgelegten Grenzwerte für Hochfrequenzstrahlung in einer unkontrollierten Umgebung ein.

■ Modell für Europa



TEAC Corporation erklärt hiermit, dass das Produkt VL-S3BT als Funkanlage den Bestimmungen der EU-Richtlinie 2014/53/EU und anderen Richtlinien und Verordnungen der Kommission entspricht.

Die vollständige EU-Konformitätserklärung erhalten Sie auf Anfrage unter der folgenden Internetadresse. Bitte schreiben Sie uns per E-Mail.

<http://tascam.eu/de/kontakt.html>

EU-Importeur: TEAC Europe GmbH

Bahnstrasse 12, 65205 Wiesbaden-Erbenheim,
Deutschland

Erklärung zur Strahlenbelastung

Dieses Gerät erfüllt die Anforderungen der harmonisierten europäischen Norm EN 62311 „Bewertung von elektrischen und elektronischen Einrichtungen in Bezug auf Begrenzungen der Exposition von Personen in elektromagnetischen Feldern“, hervorgegangen aus der EU-Richtlinie 2014/53/EU.

Wichtige Sicherheitshinweise

Diese Anleitung ist Teil des Geräts. Bewahren Sie sie gut auf und geben Sie das Gerät nur mit dieser Anleitung weiter.

- Lesen Sie diese Anleitung, um das Gerät fehlerfrei nutzen zu können und sich vor eventuellen Restgefahren zu schützen.
- Beachten Sie alle Warnhinweise. Neben den hier aufgeführten allgemeinen Sicherheitshinweisen sind möglicherweise weitere Warnungen an entsprechenden Stellen dieses Handbuchs aufgeführt.
- Lassen Sie Wartungsarbeiten und Reparaturen nur von einem TEAC-Servicecenter ausführen. Bringen Sie das Gerät zu einem TEAC-Servicecenter, wenn es Regen oder Feuchtigkeit ausgesetzt war, wenn Flüssigkeit oder Fremdkörper hinein gelangt sind, wenn es heruntergefallen ist oder nicht normal funktioniert oder wenn das Netzkabel beschädigt ist. Benutzen Sie das Gerät nicht mehr, bis es repariert wurde.

Bestimmungsgemäße Verwendung

Benutzen Sie das Gerät nur zu dem Zweck und auf die Weise, wie in dieser Anleitung beschrieben.



WARNUNG

Schutz vor Sach- und Personenschäden durch Stromschlag, Kurzschluss oder Brand

Das Gerät darf nur mit dem mitgelieferten Wechselstromadapter betrieben werden.

- Stellen Sie das Gerät in der Nähe einer gut erreichbaren Steckdose auf. Es muss jederzeit möglich sein, den Netzstecker zu ziehen, um das Gerät vom Stromnetz zu trennen.
- Verbinden Sie das Gerät nur dann mit dem Stromnetz, wenn die Angaben auf dem Gerät mit der örtlichen Netzspannung übereinstimmen. Fragen Sie im Zweifelsfall einen Elektrofachmann.
- Wenn der mitgelieferte Netzstecker nicht in Ihre Steckdose passt, ziehen Sie einen Elektrofachmann zu Rate.
- Sorgen Sie dafür, dass das Netzkabel nicht gedehnt, gequetscht oder geknickt werden kann – insbesondere am Stecker und am Netzkabelausgang des Geräts – und verlegen Sie es so, dass man nicht darüber stolpern kann.
- Ziehen Sie den Netzstecker bei Gewitter oder wenn Sie das Gerät längere Zeit nicht benutzen.

Schutz vor Sach- und Personenschäden durch Kurzschluss oder Brand

- Wenn das Gerät raucht oder einen ungewöhnlichen Geruch verströmt, trennen Sie es sofort vom Stromnetz und bringen Sie es zu einem TEAC-Servicecenter.
- Stellen Sie das Gerät immer so auf, dass es nicht nass werden kann. Setzen Sie das Gerät niemals Regen, hoher Luftfeuchte oder anderen Flüssigkeiten aus, und stellen Sie keine mit Flüssigkeit gefüllten Behälter (Vasen, Kaffeetassen usw.) auf das Gerät.
- Reinigen Sie das Gerät nur mit einem trockenen Tuch.

Schutz vor Sach- und Personenschäden durch Überhitzung

- Versperren Sie niemals vorhandene Lüftungsöffnungen.
- Stellen Sie das Gerät nicht in der Nähe von Hitze abstrahlenden Geräten (Heizlüfter, Öfen, Verstärker usw.) auf.
- Stellen Sie dieses Gerät nicht an einem räumlich beengten Ort ohne Luftzirkulation auf.

Schutz vor Sach- und Personenschäden durch falsches Zubehör

- Verwenden Sie nur Zubehör oder Zubehörteile, die der Hersteller empfiehlt.
- Verwenden Sie nur Wagen, Ständer, Stative, Halter oder Tische, die vom Hersteller empfohlen oder mit dem Gerät verkauft werden.



Schutz vor hohen Hörschäden

Denken Sie immer daran: Hohe Lautstärkepegel können schon nach kurzer Zeit Ihr Gehör schädigen.

Angaben zur Umweltverträglichkeit und zur Entsorgung

Entsorgung von Altgeräten

Wenn ein Symbol einer durchgestrichenen Mülltonne auf einem Produkt, der Verpackung und/oder der begleitenden Dokumentation angebracht ist, unterliegt dieses Produkt den europäischen Richtlinien 2002/96/EG und/oder 2006/66/EG sowie nationalen Gesetzen zur Umsetzung dieser Richtlinien.



Richtlinien und Gesetze schreiben vor, dass Elektro- und Elektronik-Altgeräte nicht in den Hausmüll (Restmüll) gelangen dürfen. Um die fachgerechte Entsorgung, Aufbereitung und Wiederverwertung sicherzustellen, sind Sie verpflichtet, Altgeräte über staatlich dafür vorgesehene Stellen zu entsorgen.

Durch die ordnungsgemäße Entsorgung solcher Geräte leisten Sie einen Beitrag zur Einsparung wertvoller Rohstoffe und verhindern potenziell schädliche Auswirkungen auf die menschliche Gesundheit und die Umwelt, die durch falsche Abfallentsorgung entstehen können. Die Entsorgung ist für Sie kostenlos.

Weitere Informationen zur Wertstoffsammlung und Wiederverwertung von Altgeräten erhalten Sie bei Ihrer Stadtverwaltung, dem für Sie zuständigen Abfallentsorgungsunternehmen oder der Verkaufsstelle, bei der Sie das Produkt erworben haben.

Information zum Stromverbrauch

Dieses Gerät verbraucht auch dann etwas Strom, wenn es über den Wechselstromadapter mit dem Stromnetz verbunden und ausgeschaltet ist (**STANDBY**).

Inhaltsverzeichnis

Konformitätserklärung und weitere Informationen ..33	
Wichtige Sicherheitshinweise.....34	
Angaben zur Umweltverträglichkeit und zur Entsorgung	35
Bevor Sie beginnen	36
Die globale TEAC-Website nutzen	36
Hinweise zur Benutzung dieses Handbuchs.....	36
Ausstattungsmerkmale.....	36
Auspacken/Lieferumfang.....	36
Ergänzende Sicherheitshinweise zur Aufstellung ..37	
Kondensation vermeiden	37
Den Monitor reinigen.....	37
Überblick über die Bluetooth®-Funktion.....	37
Übertragungsbedingungen	37
Profile.....	37
Codecs.....	38
Geschützte Inhalte	38
Übertragungssicherheit	38
Die Bedienelemente und ihre Funktionen	38
Vorderseite	38
Rückseite	38
Vorbereitende Schritte	39
Vorsichtsmaßnahmen für das Herstellen von Kabelverbindungen	39
Kabelverbindungen herstellen.....	39
Aufstellung.....	39
Das Eingangssignal wählen	40
Wiedergabe von einem Bluetooth-Gerät	40
Die Bluetooth-Geräte koppeln	40
Die Bluetooth-Verbindung beenden.....	41
Fehlerbehebung	41
Technische Daten	42
Allgemein.....	42
Maßzeichnung	42

Bevor Sie beginnen

Vielen Dank, dass Sie sich für das aktive Studiomonitor-Paar Tascam VL-S3BT entschieden haben.

Bevor Sie diese Monitore benutzen, lesen Sie sich dieses Handbuch bitte aufmerksam durch. Nur so ist sichergestellt, dass Sie das Produkt richtig bedienen und viele Jahre Freude daran haben. Bewahren Sie dieses Handbuch auf, da es Teil des Produkts ist.

Die globale TEAC-Website nutzen

Dieses Benutzerhandbuch steht auch auf der globalen TEAC-Website unter <http://teac-global.com/> oder auf der deutschen Website (<http://tascam.de/>) zum Download zur Verfügung.

Wählen Sie dort im Bereich TACAM Downloads die gewünschte Sprache aus, um die entsprechende Downloadseite aufzurufen.

Hinweise zur Benutzung dieses Handbuchs

Wir verwenden in diesem Handbuch die folgenden Konventionen:

- Buchsen und andere Bedienelemente an diesem Produkt kennzeichnen wir wie folgt mit fett gesetzten Großbuchstaben: **POWER**-Schalter.
- Geräte, die mit den Monitoren über Bluetooth verbunden werden können (einschließlich Computern und tragbaren Audiogeräten), bezeichnen wir als Bluetooth-Geräte.
- Ergänzende Informationen oder wichtige Hinweise sind wie folgt gekennzeichnet:

Anmerkung

Ergänzende Erklärungen und Hinweise zu besonderen Situationen.

VORSICHT

Wenn Sie so gekennzeichnete Hinweise nicht beachten, besteht das Risiko von leichten bis mittelschweren Verletzungen.

Ausstattungsmerkmale

- 3-Zoll-Basslautsprecher (76,2 cm)
- 0,5-Zoll-Kalottenhochtöner (12,7 cm)
- Eingebauter Verstärker mit 2 × 14 Watt
- Eingangsbuchsen Cinch
- Eingangsbuchse Stereo-Miniklinke
- Lautstärkereglern
- Eingebauter Bluetooth-Empfänger ermöglicht den Empfang von Audiosignalen in hoher Qualität dank Dekodierung mittels SBC, AAC und aptX®

Auspacken/Lieferumfang

Zum Lieferumfang dieses Produkts gehören die unten aufgeführten Bestandteile.

Bitte achten Sie beim Auspacken darauf, nichts zu beschädigen. Bewahren Sie das Verpackungsmaterial für einen eventuellen zukünftigen Transport auf.

Sollte etwas fehlen oder auf dem Transport beschädigt worden sein, wenden Sie sich bitte umgehend an Ihren Händler.

- VL-S3BT
 - Aktiver Monitor × 1
 - Passiver Monitor × 1
- Wechselstromadapter PS-P1524E × 1
- Lautsprecherkabel × 1
- Adapterkabel von 2 × Cinchstecker auf 2 × Standard-Klinkenstecker × 1
- Benutzerhandbuch (das vorliegende Dokument) einschließlich Garantiehinweis × 1

VORSICHT

Verwenden Sie ausschließlich den zum Lieferumfang gehörenden Wechselstromadapter (PS-P1524E) für den Betrieb der Lautsprecher. Verwenden Sie den mitgelieferten Wechselstromadapter nicht für andere Geräte. Andernfalls kann es zu einem Stromschlag, zu Feuer oder Sachschäden kommen.

Ergänzende Sicherheitshinweise zur Aufstellung

- Der zulässige Betriebstemperaturbereich für diesen Monitor liegt zwischen 5 °C und 35 °C.
- Stellen Sie das Gerät nicht an den im Folgenden bezeichneten Orten auf. Andernfalls kann es zu einer Beeinträchtigung der Klangqualität und/oder Fehlfunktionen kommen.
 - Orte, die starken Erschütterungen ausgesetzt sind,
 - Orte mit direkter Sonneneinstrahlung (z. B. an einem Fenster),
 - in der Nähe von Heizungen oder anderen sehr heißen Orten,
 - in großer Kälte,
 - an unzureichend belüfteten Orten oder bei hoher Luftfeuchte.
- Legen Sie keine Gegenstände auf den Lautsprecher, um eine ausreichende Wärmeabfuhr zu gewährleisten.
- Stellen Sie den Monitor nicht auf einen Leistungsverstärker oder andere Hitze erzeugende Geräte.
- Brummen kann auftreten, wenn sich ein Leistungsverstärker oder anderes Gerät mit großem Transformator in der Nähe der Monitore befindet. Versuchen Sie in einem solchen Fall den Abstand zwischen dem Monitor und dem anderen Gerät zu vergrößern oder die Ausrichtung beider Geräte zueinander zu verändern.
- Auf einem Fernsehgerät können Farbabweichungen auftreten und in einem Radiogerät können Geräusche hörbar werden, wenn der Monitor in deren Nähe betrieben wird. Vergrößern Sie in einem solchen Fall den Abstand zum Fernseher bzw. Radiogerät.
- Wenn ein Mobiltelefon oder anderes Drahtlosgerät in der Nähe betrieben wird, können während eines Anrufs oder während der Datenübertragung Geräusche im Monitor auftreten. Versuchen Sie in einem solchen Fall den Abstand zwischen dem Monitor und dem anderen Gerät zu vergrößern oder schalten Sie das andere Gerät aus.

Kondensation vermeiden

Wenn Sie den Monitor aus einer kalten Umgebung in eine warme Umgebung bringen, besteht die Gefahr, dass sich Kondenswasser bildet. Kondenswasser im Geräteinneren kann Fehlfunktionen hervorrufen. Um dies zu vermeiden, lassen Sie den Monitor ein bis zwei Stunden stehen, bevor Sie ihn einschalten.

Den Monitor reinigen

Verwenden Sie zum Reinigen des Monitors ein trockenes, weiches Tuch. Verwenden Sie zum Reinigen niemals getränkte Reinigungstücher auf chemischer Basis, Verdüner, Alkohol oder andere chemische Substanzen. Diese können die Oberfläche des Monitors angreifen oder Verfärbungen hervorrufen.

Überblick über die Bluetooth®-Funktion

Der VL-S3BT enthält einen Bluetooth-Empfänger, der es ermöglicht, das Wiedergabesignal eines über Bluetooth sendenden Computers, Smartphones oder tragbaren Audiogeräts auszugeben.

Wichtig

Es kann nicht garantiert werden, dass die Bluetooth-Funktionen des VL-S3BT mit allen Bluetooth-Geräten nutzbar sind.

Übertragungsbedingungen

Dies ist ein Bluetooth-Gerät der Klasse 2. Die Reichweite beträgt rund 10 Meter; Abweichungen hiervon sind jedoch aufgrund von baulichen Hindernissen oder elektromagnetischen Störeinstrahlungen möglich.

Ein Hindernis zwischen dem Monitor und dem anderen Bluetooth-Gerät kann die Übertragung beeinträchtigen. Entfernen Sie in einem solchen Fall das Hindernis oder bringen Sie beide Geräte näher zusammen. Zudem kann der Betrieb eines WLAN (IEEE 802.11b/g) oder eines Mikrowellengeräts in derselben Umgebung die Bluetooth-Übertragung stören. Schalten Sie ein solches Gerät entweder aus, oder stellen Sie die Monitore und das andere Bluetooth-Gerät mindestens 10 Meter entfernt davon auf.

Profile

Der VL-S3BT unterstützt das folgenden Bluetooth-Profil: A2DP (Advanced Audio Distribution Profile)

Für den Empfang von Audioinhalten via Bluetooth muss das sendende Bluetooth-Gerät A2DP unterstützen.

Beachten Sie jedoch, dass Bluetooth-Geräte je nach Bauart unterschiedliche Funktionen haben können, obwohl sie dasselbe Profil unterstützen.

Codecs

Der VL-S3BT unterstützt die folgenden A2DP-Codecs und wählt automatisch den für die Audiübertragung geeigneten Codec:

- SBC
- AAC
- aptX

Der geeignete Codec wird den Fähigkeiten des Bluetooth-Geräts und den Empfangsbedingungen entsprechend gewählt.

Anmerkung

- *Der A2DP-Codec kann nicht manuell gewählt werden.*
- *Die Wiedergabe setzt mit einer leichten Verzögerung ein, nachdem Sie sie auf dem Bluetooth-Gerät gestartet haben. Dies liegt in der Bluetooth-Übertragungstechnik begründet.*

Geschützte Inhalte

Der VL-S3BT unterstützt beim Empfang das Kopierschutzverfahren SCMS-T und ermöglicht so die Wiedergabe geschützter Inhalte.

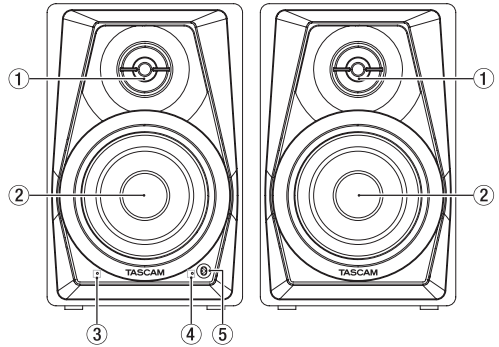
Übertragungssicherheit

Der VL-S3BT gewährleistet die Übertragungssicherheit gemäß dem Bluetooth-Standard. Die Unsichtbarkeit der Übertragung kann jedoch nicht garantiert werden.

Wir übernehmen keinerlei Verantwortung, sollte es bei einer Bluetooth-Übertragung zu einer ungewollten Ausstrahlung vertraulicher/geschützter Inhalte kommen.

Die Bedienelemente und ihre Funktionen

Vorderseite



Aktiver Monitor

Passiver Monitor

① **Hochtöner**

② **Tieftöner**

③ **Betriebsanzeige**

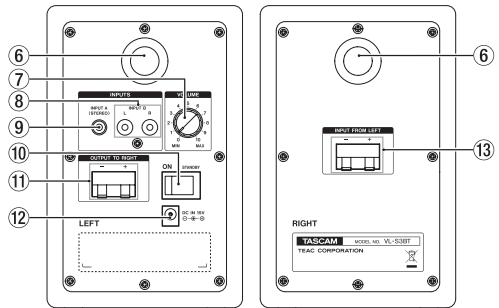
④ **Bluetooth-Lämpchen**

Dieses Lämpchen zeigt den Status der Verbindung mit dem anderen Bluetooth-Gerät an.

Zustand des Lämpchens	Bedeutung
Nicht leuchtend	Nicht verbunden
Leuchtend	Verbunden
Blinkend	Koppeln

⑤ **Taste Bluetooth PAIRING**

Rückseite



Aktiver Monitor

Passiver Monitor

⑥ **Bassreflexöffnung**

⑦ **Lautstärkeregler (VOLUME)**

⑧ **Eingangsbuchsen Cinch**

- ⑨ **Eingangsbuchse Stereo-Miniklinke**
- ⑩ **Ein/Aus-Schalter (ON/STANDBY)**
- ⑪ **Anschlussklemmen (OUTPUT TO RIGHT)**
Für den Anschluss des rechten, passiven Monitors
- ⑫ **Anschluss für Wechselstromadapter (DC IN 15V)**
- ⑬ **Anschlussklemmen (INPUT FROM LEFT)**
Für den Anschluss des linken, aktiven Monitors

Vorbereitende Schritte

Vorsichtsmaßnahmen für das Herstellen von Kabelverbindungen

- Wenn Sie die Monitore auspacken, fassen Sie sie nicht an den Hoch- oder Tieftönern an.
- Verlegen Sie Signal- und Netzkabel so, dass sich nichts darin verfangen kann.
- Drehen Sie die Lautstärke herunter, bevor Sie den aktiven Monitor einschalten. Wenn Sie ihn einschalten, während ein Eingangssignal mit hohem Pegel anliegt, können die Lautsprecher beschädigt werden.
- Nutzen Sie die Monitore nicht über längere Zeit mit hoher Lautstärke. Hohe Schallpegel können schon nach kurzer Zeit Ihr Gehör schädigen.
- Verwenden Sie nur Stromkabel, Steckdosen, Audio-Signalkabel und Anschlüsse, die unbeschädigt und frei von Kurzschlüssen und anderen Defekten sind.
- Stellen Sie zuerst den Ein/Aus-Schalter auf der Rückseite auf **STANDBY**, und schließen Sie erst dann das Kabel des Wechselstromadapters an.
- Leiten Sie ausschließlich Audiosignale mit Line-Pegel an die Eingangsbuchsen dieses Produkts. Niemals Verstärkerausgänge mit den Eingangsbuchsen verbinden.
- Bevor Sie ein Audiosignal mit dem Monitor verbinden, drehen Sie die Lautstärke an Ihrer Audioquelle herunter, und schalten Sie den Monitor aus (**STANDBY**).
- Achten Sie immer auf die richtige Polarität der Audiokabel.

Kabelverbindungen herstellen

1. Stellen Sie den Ein/Aus-Schalter auf **STANDBY**.
2. Verbinden Sie den mitgelieferten Wechselstromadapter PS-P1524E zunächst mit dem linken Monitor und anschließend mit dem Stromnetz.
3. Verbinden Sie Ihre Audioquelle mit den Eingangsbuchsen des linken, aktiven Monitors (2 x Cinch oder Stereo-Miniklinke). Wenn Sie

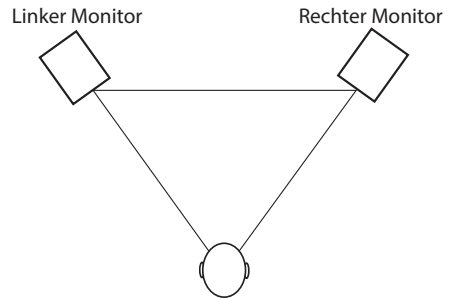
keine geeigneten Kabel haben, können Sie den mitgelieferten Adapter verwenden.

4. Nutzen Sie das mitgelieferte Lautsprecherkabel für die Verbindung des aktiven mit dem passiven Monitor (**OUTPUT TO RIGHT – INPUT FROM LEFT**). Verbinden Sie Plus mit Plus und Minus mit Minus.

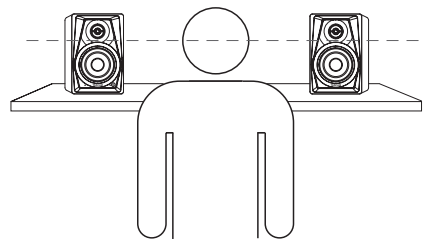
Aufstellung

Die richtige Aufstellung der Monitore hat großen Einfluss auf den Klang. So ist vor allem die Tieftonwiedergabe stark abhängig vom Aufstellungsort. Probieren Sie verschiedene Orte für die bestmögliche Aufstellung der Monitore aus.

- Stellen Sie den aktiven Monitor links und den passiven Monitor rechts von der Abhörposition auf.
- Achten Sie dabei darauf, dass die Monitore ein gleichseitiges Dreieck mit der Hörposition bilden.



- Bei vertikaler Aufstellung soll die Oberkante des Tieftöners auf Ohrhöhe sein.



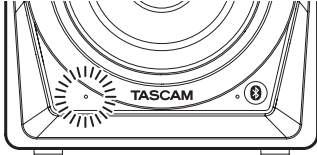
- Stellen Sie die Monitore nicht in der Nähe von Spiegeln, Glasscheiben oder anderen Oberflächen auf, die den Schall stark reflektieren. Achten Sie darauf, dass sich keine Hindernisse zwischen den Monitoren und der Hörposition befinden.

Das Eingangssignal wählen

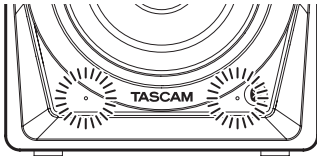
Sie können wählen, ob die Monitore das an den Eingangsbuchsen anliegende oder das über Bluetooth empfangene Audiosignal wiedergeben.

Drücken Sie die Taste **Bluetooth PAIRING** wiederholt, um zwischen den Eingangsquellen umzuschalten.

Wenn die Eingangsbuchsen ausgewählt sind, leuchtet nur die Betriebsanzeige.



Wenn die Bluetooth-Quelle ausgewählt ist, leuchten die Betriebsanzeige und das Bluetooth-Lämpchen.



Wichtig

Wenn Sie die Bluetooth-Quelle auswählen, obwohl kein Bluetooth-Gerät verbunden ist, blinkt das Bluetooth-Lämpchen, um anzuzeigen, dass es für die Kopplung bereit ist.

Wiedergabe von einem Bluetooth-Gerät

Der VL-S3BT kann das Wiedergabesignal eines über Bluetooth A2DP sendenden Computers oder tragbaren Audiogeräts abgeben.

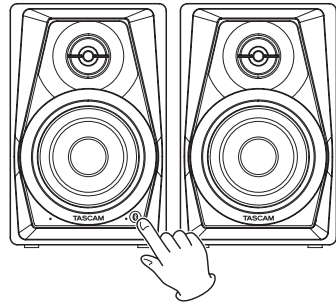
Die Bluetooth-Geräte koppeln

Gehen Sie wie im Folgenden beschrieben vor, um das Bluetooth-Gerät mit den Monitoren zu koppeln und eine Kommunikationsverbindung aufzubauen.

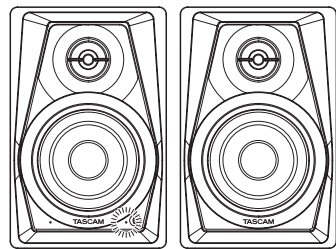
Anmerkung

Beim Koppeln müssen Sie auch am Bluetooth-Gerät bestimmte Eingaben vornehmen. Näheres hierzu finden Sie im Benutzerhandbuch des verwendeten Bluetooth-Geräts.

1. Drücken Sie die Taste **Bluetooth PAIRING** am Monitor.



Das Bluetooth-Lämpchen blinkt und signalisiert damit, dass das Koppeln möglich ist.



2. Wählen Sie auf dem anderen Bluetooth-Gerät „VL-S3BT“ (diese Monitore) aus.

Wenn das Koppeln erfolgreich war und die Verbindung besteht, leuchtet das Bluetooth-Lämpchen stetig.

Die Bluetooth-Verbindung beenden

Gehen Sie folgendermaßen vor, um die Verbindung vom Monitor aus zu beenden:

Halten Sie die Taste **Bluetooth PAIRING** mindestens zwei Sekunden lang gedrückt.

Das Bluetooth-Lämpchen blinkt und signalisiert damit, dass die Verbindung beendet wurde und das Koppeln erneut möglich ist.

Fehlerbehebung

Sollten Sie bei der Benutzung der Monitore auf Schwierigkeiten stoßen, probieren Sie bitte zunächst die folgenden Lösungsvorschläge aus, bevor Sie sie zur Reparatur einliefern.

Wenn Sie das Problem damit nicht beheben konnten, wenden Sie sich bitte an Ihren Fachhändler oder an ein Tascam-Servicecenter.

■ Die Monitore lassen sich nicht einschalten.

- Stellen Sie sicher, dass der Wechselstromadapter (PS-P1524E) richtig angeschlossen ist und die Steckdose Netzstrom liefert.

■ Es wird kein Ton ausgegeben.

- Überprüfen Sie die Verbindung mit dem anderen Gerät.
- Überprüfen Sie die PegelEinstellung am Monitor und am anderen Gerät. Vergewissern Sie sich, dass Sie die gewünschte Eingangsquelle gewählt haben (Eingangsbuchen/Bluetooth).

■ Der Ton setzt aus oder Geräusche sind zu hören.

- Überprüfen Sie, ob möglicherweise eines der Verbindungskabel einen Kontaktfehler aufweist.
- Prüfen Sie, ob sich in der Nähe der Monitore ein Drahtlosnetzwerk (WLAN), ein anderes Bluetooth-Gerät, ein Mikrowellenherd oder ein ähnliches Gerät befindet.

Halten Sie möglichst immer Abstand zu solchen Geräten.

- Verringern Sie den Abstand zwischen den Monitoren und dem Bluetooth-Gerät, mit dem Sie eine Verbindung hergestellt haben. Verändern Sie die Position der Monitore und/oder des Bluetooth-Geräts.
- Wenn auf einem Smartphone neben der Wiedergabe-App weitere Apps aktiv sind, kann dies zu Aussetzern führen. Beenden Sie in einem solchen Fall alle anderen Apps außer der App für die Audiowiedergabe.

■ Verbindung nicht möglich oder unterbrochen

- Vergewissern Sie sich, dass das Bluetooth-Gerät eingeschaltet und dessen Bluetooth-Funktion aktiviert ist.
- Prüfen Sie, ob das Bluetooth-Gerät möglicherweise zu weit von den Monitoren entfernt ist. Prüfen Sie, ob eine Wand oder ein anderes Hindernis den Empfang stört.

Falls das Bluetooth-Gerät hinter den Monitoren steht, könnten diese möglicherweise selbst den Empfang beeinträchtigen.

Verändern Sie die Position der Monitore und/oder des Bluetooth-Geräts.

- Schalten Sie die Monitore aus und wieder ein.
- Entfernen Sie auf dem Bluetooth-Gerät das gekoppelte Gerät „VL-S3BT“ und gehen Sie dann wie unter „Die Bluetooth-Geräte koppeln“ auf Seite 40 beschrieben vor, um die Geräte erneut zu koppeln.

■ Koppeln über Bluetooth ist nicht möglich.

- Vergewissern Sie sich, dass das andere Bluetooth-Gerät A2DP unterstützt.
- Vergewissern Sie sich, dass das betreffende Gerät sende- und empfangsbereit ist. Nähere Hinweise finden Sie in der Bedienungsanleitung des Bluetooth-Geräts.
- Schalten Sie die Monitore und das Bluetooth-Gerät aus. Schalten Sie sie wieder ein und versuchen Sie dann erneut zu koppeln.
- Schalten Sie andere in der Nähe befindlichen Bluetooth-Geräte aus, ausgenommen das Gerät, mit dem Sie eine Verbindung herstellen wollen.
- Entfernen Sie auf dem Bluetooth-Gerät das gekoppelte Gerät „VL-S3BT“ und versuchen Sie dann erneut zu koppeln.

Technische Daten

Allgemein

■ Effektive Ausgangsleistung (maximal, bei 10 % Verzerrung)

14 W + 14 W

■ Lautsprecher

3-Zoll-Basslautsprecher (76,2 cm)

0,5-Zoll-Kalottenhochtöner (12,7 cm)

■ Gehäusekonstruktion

Bassreflex-Abstimmung

■ Frequenzbereich

80 Hz – 22 kHz

■ Übergangsfrequenz

8 kHz

■ Empfindlichkeit

-4,8 dBV (580 mV) für 14 W+14 W

■ Eingangsanschlüsse

Cinchbuchsen, Stereo-Miniklinkenbuchse

■ Eingangsimpedanz

50 k Ω

■ Bluetooth

Bluetooth-Version: 4.0

Ausgangsklasse:

Klasse 2 (Freifeld-Reichweite: etwa 10 m*)

Unterstütztes Profil

Unterstützte A2DP-Codecs: SBC, AAC, aptX

Unterstützter A2DP-Kopierschutz: SCMS-T

* Diese Reichweitenangabe ist ein Schätzwert. Sie kann je nach Umgebungsbedingungen und bei Vorhandensein elektromagnetischer Einstrahlung abweichen.

■ Stromversorgung

Wechselstromadapter PS-P1524E

- Eingangsspannung: AC 100–240 V (50/60 Hz)
- Ausgangsspannung: DC 15 V
- Ausgangsstrom: 2,4 A

■ Leistungsaufnahme

6,5 W

■ Abmessungen (B × H × T)

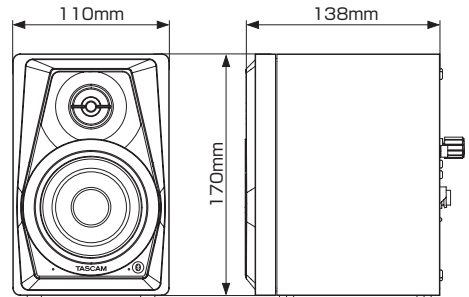
110 mm × 170 mm × 138 mm (ohne hervorstehende Teile)

■ Gewicht

Aktiver Monitor: 1,1 kg

Passiver Monitor: 1,0 kg

Maßzeichnung



- Abbildungen können teilweise vom tatsächlichen Erscheinungsbild des Produkts abweichen.
- Änderungen an Konstruktion und technischen Daten vorbehalten.

Dichiarazione di conformità e informazioni

Questo prodotto ha una funzione di trasmettitore su banda larga alla frequenza di 2,4 GHz.

Gamma di Frequenza d'uso: 2400 MHz - 2480 MHz

Potenza massima di uscita: Bluetooth® Class2 (less than 2.5 mW)

CAUTELA

Utilizzare solo nel paese in cui è stato acquistato il prodotto.

- Le autorizzazioni di dispositivi wireless sono diverse a seconda del paese.
- A seconda del paese, potrebbero esistere restrizioni sull'uso della tecnologia wireless Bluetooth.

CAUTELA

Cambiamenti o modifiche relative alla conformità di questa apparecchiatura non espressamente approvate da TEAC CORPORATION potrebbero invalidare il diritto dell'utente a utilizzare questa apparecchiatura.

Requisiti per l'esposizione alle radiazioni

Questa apparecchiatura è conforme alla normativa riconosciuta a livello internazionale per l'esposizione umana alle onde radio generate dal trasmettitore.

■ Model for U.S.A

This device complies with Part 15 of the FCC Rules. Operation is subject to the following two conditions: (1) this device may not cause harmful interference, and (2) this device must accept any interference received, including interference that may cause undesired operation.

Labeling of authorization

FCC ID: XEG-VLS3BT

This equipment has been tested and found to comply with the limits for a Class B digital device, pursuant to Part 15 of the FCC Rules. These limits are designed to provide reasonable protection against harmful interference in a residential installation. This equipment generates, uses, and can radiate radio frequency energy and, if not installed and used in accordance

with the instruction manual, may cause harmful interference to radio communications. However, there is no guarantee that interference will not occur in a particular installation. If this equipment does cause harmful interference to radio or television reception, which can be determined by turning the equipment off and on, the user is encouraged to try to correct the interference by one or more of the following measures.

- a) Reorient or relocate the receiving antenna.
- b) Increase the separation between the equipment and receiver.
- c) Connect the equipment into an outlet on a circuit different from that to which the receiver is connected.
- d) Consult the dealer or an experienced radio/TV technician for help.

Radiation Exposure requirements

This equipment complies with FCC radiation exposure limits set forth for an uncontrolled environment and meets the FCC radio frequency Exposure Guidelines.

■ Modello per l'Europa



Con la presente, TEAC Corporation dichiara che il tipo di apparecchiatura radio VL-S3BT è conforme alla direttiva 2014/53 / UE., e altre direttive e regolamenti della Commissione.

Il testo integrale della dichiarazione di conformità UE è disponibile al seguente indirizzo Internet: vi preghiamo di contattarci via e-mail.

Importatore EU: TEAC Europe GmbH

Bahnstrasse 12, 65205 Wiesbaden-Erbenheim, Germany

Requisiti per l'esposizione alle radiazioni

Questa apparecchiatura è conforme EN.62311; la valutazione degli apparecchi elettronici ed elettrici in relazione ai limiti dell'esposizione umana ai campi elettromagnetici; norma armonizzata DIRECTIVE 2014/53/EU.

IMPORTANTI NORME DI SICUREZZA

- 1 Leggere le seguenti istruzioni.
 - 2 Conservare queste istruzioni.
 - 3 Prestare attenzione agli avvertimenti.
 - 4 Seguire tutte le istruzioni.
 - 5 Non usare l'apparecchio vicino all'acqua.
 - 6 Pulire Solo con un panno asciutto.
 - 7 Non bloccare le aperture per la ventilazione. Installare secondo le istruzioni del costruttore.
 - 8 Non installare l'apparecchio vicino a fonti di calore come radiatori, regolatori di calore, stufe o altri apparecchi che producono calore (inclusi gli amplificatori).
 - 9 Non eliminare la spina polarizzata di sicurezza o la spina di messa a terra. La spina polarizzata ha due lame, una più larga dell'altra. Una spina di messa a terra ha due lame e una terza punta di messa a terra. La lama larga o la terza punta sono fornite per la vostra sicurezza. Se la spina fornita non è adatta al tipo di presa, consultate un elettricista per sostituire la presa obsoleta.
 - 10 Proteggere il cavo di alimentazione in modo che non venga calpestato o schiacciato, in particolare vicino alle spine e al punto di uscita dall'apparecchio.
 - 11 Usare solamente attacchi/accessori specificati dal costruttore.
 - 12 Usare Solo carrello, supporto, treppiede, mensola o tavola specificati dal costruttore o venduto insieme all'apparecchio. Quando viene usato un carrello, prestare attenzione quando si sposta la combinazione carrello/apparato per evitare cadute da sopra.
 - 13 Scollegare questo apparato durante temporali o quando non viene usato per lunghi periodi di tempo.
 - 14 Rivolgersi Solo a personale qualificato. La riparazione è richiesta quando l'apparecchio è stato danneggiato in qualunque modo, come nel caso che il cordone dell'alimentazione o la spina siano stati danneggiati, l'apparecchio sia stato esposto a pioggia o umidità, non funzioni correttamente o sia stato lasciato cadere.
- Questo apparecchio porta corrente elettrica non operativa dalla presa di rete mentre il suo interruttore POWER o STANDBY/ON non è in posizione di ON.
 - La presa di rete è usata come dispositivo di sconnessione, il dispositivo di sconnessione deve restare sempre operativo.

- Si deve usare cautela quando si usano gli auricolari o le cuffie con il prodotto, perché un eccesso di pressione sonora (volume) negli auricolari o nelle cuffie può causare la perdita dell'udito.



- Se si verificano problemi con questo prodotto, contattare TEAC per un invio all'assistenza. Non usare il prodotto fino a quando non è stato riparato.

CAUTELA

- Non esporre questo apparecchio a gocciolamenti o schizzi.
- Non appoggiare alcun contenitore o vaso pieno d'acqua sopra l'apparecchio.
- Non installare questo apparecchio in spazi ristretti come una libreria o luoghi simili.
- Questo apparecchio dovrebbe essere collocato sufficientemente vicino alla presa AC in modo da poter facilmente afferrare la spina del cordone di alimentazione in qualsiasi momento.
- Se il prodotto utilizza batterie (incluso un pacco batterie o batterie installate), non dovrebbero essere esposte alla luce solare, fuoco o calore eccessivo.
- CAUTELA per i prodotti che utilizzano batterie al litio sostituibili: vi è pericolo di esplosione se la batteria viene sostituita con una di tipo scorretto. Sostituire Solo con tipo uguale o equivalente.

IN USA/CANADA, USE ONLY ON 120 V SUPPLY.

■ Per gli utenti europei

Smaltimento di apparecchiature elettriche ed elettroniche

- Tutte le apparecchiature elettriche ed elettroniche devono essere smaltite separatamente dai rifiuti urbani mediante impianti di raccolta specifici designati dal governo o dalle autorità locali.
- Lo smaltimento in modo corretto delle apparecchiature elettriche ed elettroniche contribuisce a risparmiare preziose risorse ed evitare potenziali effetti negativi sulla salute umana e l'ambiente.
- Lo smaltimento non corretto di apparecchiature può avere gravi conseguenze sull'ambiente e sulla salute umana come risultato della presenza di sostanze pericolose nelle apparecchiature elettriche ed elettroniche.
- Il simbolo barrato della pattumiera indica che le apparecchiature elettriche ed elettroniche devono essere raccolte e smaltite separatamente dai rifiuti domestici.
- I sistemi di raccolta sono a disposizione degli utenti finali. Per informazioni più dettagliate sullo smaltimento delle vecchie apparecchiature elettriche ed elettroniche, contattare il comune, il servizio di smaltimento rifiuti o il negozio dove è stato acquistato l'apparecchio.



Indice dei contenuti

Dichiarazione di conformità e informazioni.....	43
IMPORTANTI NORME DI SICUREZZA	44
Introduzione	46
Caratteristiche.....	46
Articoli inclusi.....	46
Convenzioni usate in questo manuale.....	46
Precauzioni per il posizionamento e l'uso	46
Attenzione alla condensa.....	47
Pulizia dell'unità	47
Panoramica sul Bluetooth®	47
Condizioni di trasmissione	47
Profili	47
Codec.....	47
Protezione dei contenuti.....	47
Sicurezza della trasmissione	47
Uso del sito TEAC Global	48
Registrazione utente	48
Nomi e funzioni delle parti	48
Pannello frontale.....	48
Pannello posteriore.....	48
Preparativi	49
Precauzioni prima di effettuare i collegamenti..	49
Collegamenti.....	49
Installazione	49
Selezione della sorgente d'ingresso.....	50
Riproduzione da un dispositivo Bluetooth.....	50
Associazione	50
Terminare una connessione	51
Risoluzione dei problemi.....	51
Specifiche	52
Generali.....	52
Dimensioni.....	52

Introduzione

Grazie per aver acquistato i monitor amplificati da scrivania Powered Desktop Monitor TASCAM VL-S3BT.

Prima di utilizzare questi diffusori, leggere attentamente questo manuale in modo da poterli usare correttamente e goderne per molti anni. Dopo la lettura di questo manuale, si prega di conservarlo in un luogo sicuro per future consultazioni.

È possibile scaricare questo manuale dal sito TEAC Global Site (<http://teac-global.com/>).

Caratteristiche

- Woofer da 3 pollici (76,2 millimetri)
 - Tweeter da 0,5 pollici (12,7 millimetri)
 - Amplificatore di potenza interno da 14W + 14W
 - Prese di ingresso pin RCA
 - Mini presa stereo di ingresso
 - Controllo del volume incorporato
 - Ricevitore integrato audio Bluetooth in grado di ricevere audio di alta qualità con decodifica SBC, AAC e aptX®
-

Articoli inclusi

Questo prodotto include i seguenti articoli.

Fare attenzione a quando si apre la confezione a non danneggiare gli articoli. Conservare i materiali di imballaggio e la scatola per il trasporto in futuro.

Vi preghiamo di contattarci se uno di questi articoli è mancante o è stato danneggiato durante il trasporto.

- Unità principale
 - Unità attiva × 1
 - Unità passiva × 1
- Alimentatore AC (PS-P1524E) × 1
- Cavo diffusore × 1
- Cavo adattatore presa RCA-6,3 millimetri (1/4") TS standard × 1
- Manuale di istruzioni (questo documento) inclusa la garanzia × 1

CAUTELA

Utilizzare sempre l'alimentatore AC incluso (PS-P1524E) quando si usa questa unità. Non utilizzare mai l'alimentatore AC fornito con qualsiasi altro dispositivo. Ciò potrebbe causare danni, incendi o scosse elettriche.

Convenzioni usate in questo manuale

In questo manuale vengono usate le seguenti convenzioni.

- Pulsanti, connettori e altre parti fisiche di questa unità sono scritti utilizzando un carattere in grassetto come questo: **Power**.
- Le apparecchiature che possono essere collegate a questa unità tramite Bluetooth, compresi computer e dispositivi audio portatili, sono chiamati "dispositivi Bluetooth".
- Se necessario, ulteriori informazioni sono fornite come suggerimenti, note e cautele.

SUGGERIMENTO

Si tratta di suggerimenti su come utilizzare l'unità.

NOTA

Spiegazioni aggiuntive per descrivere casi speciali.

CAUTELA

La mancata osservanza di queste istruzioni può causare, ad esempio, lesioni, danni alle apparecchiature o perdita di dati in registrazione.

Precauzioni per il posizionamento e l'uso

- La temperatura nominale di esercizio dell'unità va da 5° a 35° C.
- Non installare l'unità nei seguenti luoghi. Ciò potrebbe degradare la qualità del suono e/o causare malfunzionamenti.
 - Luoghi con forti vibrazioni
 - Vicino a finestre o luoghi esposti alla luce diretta del sole
 - Nei pressi di caloriferi o altri luoghi estremamente caldi
 - Luoghi molto freddi
 - Luoghi con alta umidità o cattiva ventilazione
- Per una buona dissipazione del calore, non appoggiare nulla sulla parte superiore dell'unità.
- Non posizionare l'unità su un amplificatore di potenza o un altro dispositivo che genera calore.
- Se l'apparecchio viene collocato in prossimità di un amplificatore di potenza o un altro dispositivo con un grande trasformatore, potrebbe verificarsi

un ronzio. Se ciò si verifica, distanziare gli apparecchi.

- Questa unità può causare irregolarità di colore su uno schermo TV o rumore da una radio, se utilizzati nelle vicinanze. In questo caso, utilizzare questa unità più lontano.
- Questa unità può produrre rumore, se si utilizza un telefono cellulare o altri dispositivi wireless nelle vicinanze per effettuare chiamate o inviare o ricevere segnali. In questo caso, aumentare la distanza tra l'unità e tali dispositivi o spegnerli.

Attenzione alla condensa

La condensa può verificarsi se l'unità viene spostata da un luogo freddo a uno caldo, viene utilizzata immediatamente dopo che è stata riscaldata una stanza fredda o altrimenti esposta a un improvviso sbalzo di temperatura. Se questo dovesse accadere, lasciare l'unità per una o due ore prima di accendere l'unità e utilizzarla.

Pulizia dell'unità

Per pulire l'unità, strofinare delicatamente con un panno morbido e asciutto. Non pulire con panni imbevuti di sostanze chimiche, solventi, alcol o altri agenti chimici. Ciò potrebbe danneggiare la superficie o causare scolorimento.

Panoramica sul Bluetooth®

Questa unità ha un ricevitore audio Bluetooth integrato, permettendo così la riproduzione audio da un computer o un dispositivo audio portatile che supporta Bluetooth.

CAUTELA

Il funzionamento e il collegamento di funzioni Bluetooth di questa unità con tutti i dispositivi Bluetooth non sono garantiti.

Condizioni di trasmissione

Si tratta di un dispositivo di trasmissione Bluetooth classe 2.

Ha una portata di trasmissione approssimativa di 10 metri, ma questa distanza può variare a causa delle interferenze da ostacoli e onde elettromagnetiche.

Un ostacolo tra l'unità e un altro dispositivo Bluetooth potrebbe interferire con la trasmissione Bluetooth. In questo caso, rimuovere l'ostacolo. Inoltre, l'uso di una rete wireless LAN (IEEE802.11b/g) o di un forno a microonde nello stesso ambiente operativo potrebbe interferire con la trasmissione Bluetooth. In questo

caso, interrompere l'uso delle apparecchiature o spostare l'unità e il dispositivo Bluetooth ad almeno 10 metri di distanza.

Profili

L'unità supporta i seguenti profili Bluetooth.

- A2DP (Advanced Audio Distribution Profile)

I dispositivi Bluetooth devono supportare A2DP per trasmettere audio via Bluetooth.

Anche se hanno lo stesso profilo Bluetooth, tuttavia, diversi dispositivi Bluetooth possono avere funzioni differenti a seconda delle loro specifiche.

Codec

L'unità supporta i seguenti codec A2DP e seleziona automaticamente uno di loro durante la trasmissione audio.

- SBC
- AAC
- aptX

Verrà selezionato il codec appropriato da utilizzare in base al supporto codec del dispositivo e le condizioni di trasmissione Bluetooth.

NOTA

Non sono disponibili pulsanti per selezionare il codec.

A causa della natura della tecnologia wireless Bluetooth, la riproduzione da questa unità inizierà leggermente in ritardo rispetto alla trasmissione dal dispositivo Bluetooth.

Protezione dei contenuti

Questa unità supporta la protezione dei contenuti SCMS-T durante la trasmissione audio, che consente la riproduzione di audio protetto.

Sicurezza della trasmissione

Questa unità supporta funzioni di sicurezza durante la trasmissione Bluetooth secondo gli standard Bluetooth, ma l'invisibilità della trasmissione non è garantita.

La nostra azienda non si assume nessuna responsabilità se i dati vengono diffusi durante la trasmissione Bluetooth.

Uso del sito TEAC Global

È possibile scaricare i driver dedicati e il manuale di istruzioni necessario per questa unità dal sito TEAC Global Site (<http://teac-global.com/>).

1. Aprire il sito TEAC Global (<http://teac-global.com/>).
2. Nella sezione TASCAM Downloads, selezionare la lingua desiderata per aprire la pagina di download per la propria lingua.

NOTA

Se la lingua desiderata non viene visualizzata, fare clic su Other Languages.

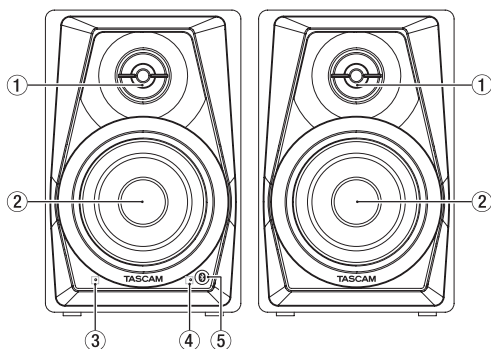
3. Fare clic sul nome del prodotto nella sezione "Ricerca per nome del modello" per aprire la pagina Download del prodotto.
4. Selezionare e scaricare i driver dedicati e il manuale di istruzioni necessario.

Registrazione utente

I clienti negli Stati Uniti sono pregati di visitare il sito TASCAM (<http://tascam.com/>) per la registrazione utente on-line.

Nomi e funzioni delle parti

Pannello frontale



Unità attiva

Unità passiva

- ① **Tweeter**
- ② **Woofer**
- ③ **Indicatore STANDBY/ON**

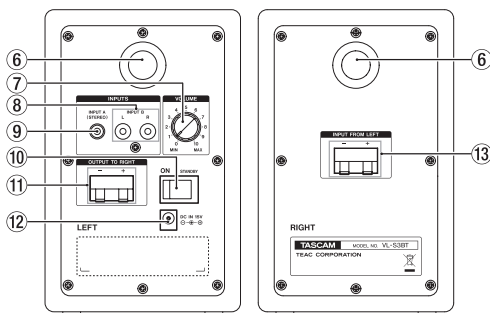
④ **Indicatore Bluetooth**

L'accensione di questo indicatore mostra lo stato della connessione con un dispositivo Bluetooth.

Illuminazione della indicatore	Significato
Spento	Non collegato
Acceso	Collegato
Lampeggiante	Associazione

⑤ **Pulsante Bluetooth PAIRING**

Pannello posteriore



Unità attiva

Unità passiva

- ⑥ **Porta bass reflex**
- ⑦ **Manopola del volume di uscita**
- ⑧ **Prese di ingresso pin RCA**
- ⑨ **Minipresa stereo di ingresso**
- ⑩ **Interruttore STANDBY/ON**
- ⑪ **Terminale di uscita diffusore (OUTPUT TO RIGHT)**. Collegare all'unità passiva
- ⑫ **Connettore DC IN 15V**
- ⑬ **Terminale di ingresso diffusore (INPUT FROM LEFT)**. Collegare all'unità attiva

Preparativi

Precauzioni prima di effettuare i collegamenti

- All'apertura della confezione, non tenere i diffusori dai loro tweeter o woofer.
- Collegare i cavi di segnale e i cavi di alimentazione in modo che non si impiglino da qualche parte.
- Prima di accendere l'amplificatore incorporato, portare il volume di ingresso al minimo. Se si ruota al massimo durante l'immissione di un segnale forte, il diffusore potrebbe danneggiarsi.
- Non ascoltare ad alto volume a lungo. Ciò potrebbe danneggiare l'udito.
- Utilizzare solo cavi di alimentazione, prese di corrente, cavi e connettori audio privi di difetti.
- Impostare l'interruttore di accensione su OFF prima di collegare il cavo di alimentazione.
- Non immettere in ingresso segnali diversi da quelli audio.
- Prima di collegare un segnale audio a questa unità, verificare che il livello del segnale di ingresso sia al minimo e che l'interruttore di alimentazione dell'amplificatore di potenza interno sia su OFF.
- Usare sempre la corretta polarità.

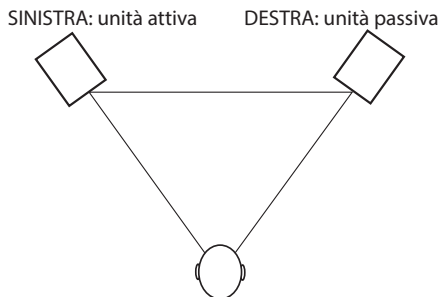
Collegamenti

1. Impostare l'interruttore di alimentazione su OFF.
2. Collegare l'alimentatore AC incluso (PS-P1524E) al diffusore e poi alla rete elettrica.
3. Utilizzare il cavo di collegamento in dotazione (RCA-6,3 millimetri (1/4") presa TS standard) per collegare la presa di ingresso dell'unità attiva al dispositivo di uscita.
4. Utilizzare il cavo del diffusore in dotazione per collegare il terminale di uscita dell'unità attiva al terminale di ingresso dell'unità passiva.

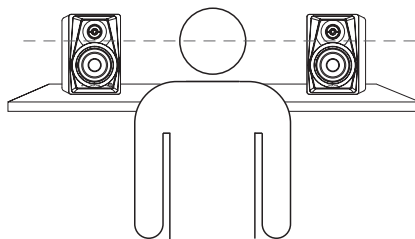
Installazione

L'installazione corretta dei diffusori è estremamente importante. Il volume delle basse frequenze sembrerà cambiare in base alla posizione in cui vengono installati i diffusori. Provare diverse posizioni per trovare quella migliore e per massimizzare l'efficienza dei diffusori.

- Posizionare l'unità attiva a sinistra e l'unità passiva a destra.
- Posizionare i diffusori in modo da formare un triangolo equilatero con la posizione di ascolto.



- Installare i diffusori in modo che la parte superiore dei woofer sia all'altezza delle orecchie.



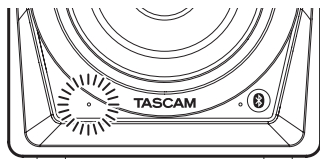
- Non installare i diffusori vicino a specchi, vetri o altre superfici che possono riflettere il suono. Non mettere nulla tra i diffusori e la posizione di ascolto.

Selezione della sorgente d'ingresso

È possibile selezionare da quale sorgente questa unità riproduce l'audio, se da un ingresso di linea (ingressi pin RCA o mini presa stereo di ingresso) o da un dispositivo Bluetooth.

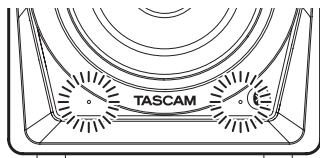
Premere il pulsante **PAIRING** di associazione Bluetooth per commutare le sorgenti di ingresso.

■ Quando si seleziona una sorgente di ingresso di linea



Indicatore	Illuminazione
Indicatore STANDBY/ON	Acceso
Indicatore Bluetooth	Spento

■ Quando viene selezionata una sorgente d'ingresso Bluetooth



Indicatore	Illuminazione
Indicatore STANDBY/ON	Acceso
Indicatore Bluetooth	Acceso Lampeggiante

CAUTELA

Quando si passa all'ingresso Bluetooth, se nessun dispositivo Bluetooth viene associato e connesso, l'indicatore Bluetooth lampeggia, mostrando che è pronto per l'associazione.

Riproduzione da un dispositivo Bluetooth

Questi diffusori sono in grado di emettere la riproduzione audio da dispositivi che supportano Bluetooth (A2DP), compresi computer e dispositivi audio portatili.

Associazione

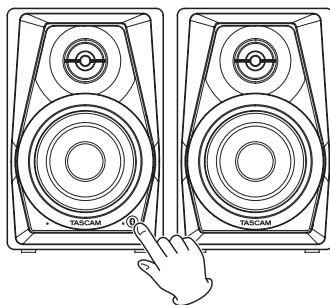
Seguire le procedure qui di seguito per associare il dispositivo Bluetooth con cui comunicare.

NOTA

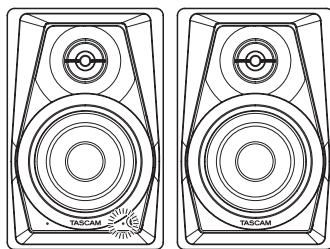
L'associazione richiede anche l'impostazione del dispositivo Bluetooth.

Per informazioni dettagliate su come effettuare questa operazione, consultare il manuale di funzionamento di tale dispositivo Bluetooth.

1. Premere il pulsante **Bluetooth PAIRING** del diffusore.



L'indicatore **Bluetooth** lampeggia, mostrando che l'associazione è possibile.



2. Nell'altro dispositivo Bluetooth, selezionare "VL-S3BT" (questo diffusore).

Dopo che l'associazione ha esito positivo, l'indicatore **Bluetooth** smette di lampeggiare e rimane acceso, mostrando che il collegamento con tale dispositivo è completo.

Terminare una connessione

Seguire le procedure qui di seguito per terminare una connessione da questa unità.

1. Tenere premuto il pulsante **Bluetooth PAIRING** per almeno due secondi.
2. L'indicatore Bluetooth lampeggia, mostrando che la connessione è terminata e l'associazione è di nuovo possibile.

Risoluzione dei problemi

Se si riscontrano problemi con il funzionamento di questo prodotto, provare quanto segue prima di contattare l'assistenza.

Se queste misure non risolvono il problema, si prega di contattare il negozio dove è stato acquistato il prodotto o l'assistenza clienti TEAC (vedi retro).

■ I diffusori non si accendono.

- Verificare che l'alimentatore incluso (PS-P1524E) sia saldamente collegato sia alla presa che al connettore DC.

■ Nessun suono in uscita.

- Controllare di nuovo il collegamento con il dispositivo di riproduzione.
- Controllare il volume e le impostazioni dell'amplificatore.

■ Il suono si interrompe o è disturbato.

- Verificare che i cavi di collegamento non abbiano problemi di contatto.
- Sono presenti nelle vicinanze una rete LAN wireless, un dispositivo Bluetooth, un forno a microonde o apparecchi simili?
- Tenere distanti tali dispositivi per quanto possibile.
- Tenere il dispositivo Bluetooth vicino a questi diffusori quando si utilizzano insieme. Provare a cambiare la posizione del dispositivo Bluetooth o dei diffusori.
- Se applicazioni diverse dalle app di riproduzione audio sono in esecuzione su uno smartphone, il suono potrebbe interrompersi. In questo caso, chiudere le applicazioni diverse dalle app di riproduzione audio.

■ Impossibile connettersi o la comunicazione viene interrotta.

- Verificare che sia attivata l'alimentazione del dispositivo Bluetooth e anche la sua funzione Bluetooth.
- Il dispositivo Bluetooth è troppo lontano? C'è una parete o un altro ostacolo tra il dispositivo e i diffusori?
- Se il dispositivo Bluetooth è dietro le casse, i diffusori stessi potrebbero bloccare la comunicazione.
- Provare a cambiare la posizione del dispositivo Bluetooth o dei diffusori.
- Spegnerne e riaccendere i diffusori.
- Rimuovere l'associazione VL-S3BT dal dispositivo Bluetooth e seguire di nuovo le procedure in "Associazione" a pagina 50.

■ L'associazione non è possibile.

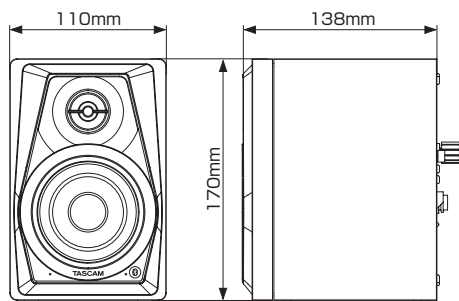
- Verificare che il dispositivo Bluetooth collegato supporti il profilo A2DP.
- Verificare che il dispositivo Bluetooth che si desidera collegare è in uno stato che consente di comunicare. Per i dettagli, consultare il manuale di istruzioni di tale dispositivo Bluetooth.
- Spegnerne l'alimentazione sia dei diffusori che del dispositivo Bluetooth. Accendere entrambi e provare di nuovo l'associazione.
- Spegnerne i dispositivi Bluetooth diversi da quello che si sta cercando di associare ai diffusori.
- Rimuovere l'associazione VL-S3BT dal dispositivo Bluetooth e tentare di associarlo di nuovo.

Specifiche

Generali

- **Massima potenza (distorsione: 10%)**
14W + 14W
- **Diffusori**
Woofer da 3 pollici (76,2 millimetri)
Tweeter da 0,5 pollici (12,7 millimetri)
- **Involucro**
Tipo bass reflex
- **Risposta in frequenza**
80 Hz–22 kHz
- **Frequenza di crossover**
8 kHz
- **Sensibilità**
–4,8 dBV (580 mV) 14 W+14 W
- **Prese di ingresso esterne**
Prese pin RCA, minipresa stereo
- **Impedenza di ingresso**
50 kΩ
- **Bluetooth**
Bluetooth versione: 4.0
Classe di uscita: classe 2
(distanza di comunicazione: circa 10 m*)
Profilo supportato: A2DP
Codec A2DP supportati: SBC, AAC e aptX
Protezione dei contenuti A2DP: SCMS-T
*Questa distanza di comunicazione è una stima.
La distanza di comunicazione potrebbe differire a seconda dell'ambiente e delle condizioni di diffusione delle onde.
- **Alimentazione**
Alimentatore AC (PS-P1524E)
Tensione di ingresso: AC 100–240 V (50/60 Hz)
Tensione di uscita: DC 15 V
Corrente di uscita: 2,4 A
- **Consumo**
6,5 W
- **Dimensioni**
110 x 170 x 138 mm (altezza x larghezza x profondità, sporgenze escluse)
- **Peso**
Unità attiva: 1,1 kg
Unità passiva: 1,0 kg

Dimensioni










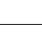










- Le illustrazioni e altre rappresentazioni possono differire in parte dal prodotto reale.
- Le specifiche e l'aspetto esterno possono essere modificati senza preavviso per migliorare il prodotto.

取扱説明書

安全にお使いいただくために

製品を安全に正しくお使いいただき、あなたや他の人々への危害や財産への損害を未然に防止するために、以下の注意事項をよくお読みください。

 警告	以下の内容を無視して誤った取り扱いをすると、人が死亡または重傷を負う可能性が想定される内容を示しています。
 ACアダプターの電源プラグをコンセントから抜く	万一、異常が起きたら煙が出た、変なにおいや音がするときは機器の内部に異物や水などが入ったときはこの機器を落とした、カバーを破損したときはすぐに機器本体の電源を切り、必ずACアダプターの電源プラグをコンセントから抜いてください。異常状態のまま使用すると、火災・感電の原因となります。販売店またはティアック修理センター（巻末に記載）に修理をご依頼ください。
 指示	ACアダプターの電源プラグにほこりをためない ACアダプターの電源プラグとコンセントの間にゴミやほこりが付着すると、火災・感電の原因となります。定期的（年1回くらい）にACアダプターの電源プラグを抜いて、乾いた布でゴミやほこりを取り除いてください。
 禁止	ACアダプターのコードを傷つけない ACアダプターのコードの上に重い物をのせたり、コードを壁や棚との間に挟み込んだり、本機の下敷きにしない ACアダプターのコードを加工したり、無理に曲げたり、ねじったり、引張ったり、熱器具に近づけて加熱したりしない コードが傷んだまま使用すると火災・感電の原因となります。 万一、ACアダプターのコードが破損したら（芯線の露出、断線など）、販売店またはティアック修理センター（巻末に記載）をご依頼ください。 別売のACアダプターや電源コードを他の機器に使用しない 故障、火災、感電の原因となります。
 禁止	交流100ボルト以外の電圧で使用しない この機器を使用できるのは日本国内のみです。表示された電源電圧（交流100ボルト）以外の電圧で使用しないでください。また、船舶などの直流（DC）電源には接続しないでください。火災・感電の原因となります。
 禁止	この機器を設置する場合は、放熱をよくするために、壁や他の機器との間は少し（20cm以上）離して設置する 隙間を空けないと内部に熱がこもり、火災の原因となります。
 禁止	この機器の隙間などから内部に金属類や燃えやすい物などを差し込む、または落とさない 火災・感電の原因となります。
 禁止	機器の上に花びんや水などが入った容器を置かない 内部に水が入ると火災・感電の原因となります。
 分解禁止	この機器のカバーは絶対に外さない カバーを外す、または改造すると、火災・感電の原因となります。 内部の点検・修理は販売店またはティアック修理センター（巻末に記載）にご依頼ください。
 分解禁止	この機器を改造しない 火災・感電の原因となります。

 注意	以下の内容を無視して誤った取り扱いをすると、人が傷害を負う可能性が想定される内容および物的損害のみが発生が想定される内容を示しています。
 ACアダプターの電源プラグをコンセントから抜く	移動させる場合は、電源をオフ（スタンバイ状態）にし、必ずACアダプターの電源プラグをコンセントから抜き、外部の接続コードを外す コードが傷つき、火災・感電の原因や、引っ掛けてけがの原因になることがあります。 旅行などで長期間この機器を使用しないときやお手入れの際は、安全のため必ずACアダプターの電源プラグをコンセントから抜き 通電状態の放置やお手入れは、漏電や感電の原因となることがあります。
 指示	オーディオ機器を接続する場合は、各々の機器の取扱説明書をよく読み、電源を切り、説明にしたがって接続する また、接続は指定のコードを使用する
 指示	電源を入れる前には、音量を最小にする 突然大きな音が出て、聴力障害などの原因となることがあります。 この機器はコンセントの近くに設置し、ACアダプターの電源プラグは簡単に手が届くようにする 異常が起きた場合は、すぐにACアダプターの電源プラグをコンセントから抜いて、完全に電源が切れるようにしてください。 この機器には、付属の専用ACアダプターや電源コードを使用する それ以外の物を使用すると、故障、火災、感電の原因となります。
 禁止	ぐらついた台の上や傾いた所など不安定な場所に置かない 湿気やほこりの多い場所に置かない。風呂、シャワー室では使用しない 調理台や加湿器のそばなど油煙や湯気が当たる場所に置かない 火災・感電やけがの原因となることがあります。
 禁止	ACアダプターの電源プラグを抜くときは、ACアダプターの電源コードを引っ張らない コードが傷つき、火災・感電の原因となることがあります。 必ずプラグを持って抜いてください。
 禁止	濡れた手でACアダプターの電源プラグを抜き差ししない 感電の原因となることがあります。
 注意	5年に1度は、機器内部の掃除を販売店またはティアック修理センター（巻末に記載）にご相談ください。 内部にほこりがたまったまま、長い間掃除をしないと火災や故障の原因となることがあります。特に、湿気の多くなる梅雨期の前に行くと、より効果的です。なお、掃除費用については、ご相談ください。

目次

安全にお使いいただくために	53
はじめに	54
本機の概要	54
本製品の構成	54
本書の表記	55
設置上の注意	55
結露について	55
製品のお手入れ	55
電波について	55
本機の使用上の注意事項	55
通信コンディション	55
Bluetooth®について	56
プロファイル	56
コーデック	56
コンテンツ保護	56
通信セキュリティ	56
ユーザー登録について	56
アフターサービス	56
各部の名称	57
フロントパネル	57
リアパネル	57
準備	58
接続前の注意	58
接続	58
設置	58
入カソースの切り換え	59
Bluetooth機器の再生	59
ペアリング	59
ペアリング接続の解除	59
トラブルシューティング	60
仕様	60
一般	60
寸法図	61

はじめに

このたびは、TASCAM Powered Desktop Monitors VL-S3BTをお買い上げいただきまして、誠にありがとうございます。

ご使用になる前に、この取扱説明書をよくお読みになり、正しい取り扱い方法をご理解いただいた上で、未永くご愛用くださいますようお願い申し上げます。お読みになったあとは、いつでも見られるところに保管してください。また取扱説明書は、TASCAMのウェブサイト (<http://tascam.jp/>) からダウンロードすることができます。

本機の概要

- 3インチ (76.2mm) ウーファー
- 0.5インチ (12.7mm) ツイーター
- 14W + 14Wのパワーアンプ内蔵
- RCAピン入力端子
- ステレオミニ入力端子
- ポリウムコントロール装備
- Bluetooth®オーディオレシーバーを搭載し、SBC / AAC / aptX®のデコード対応にて高品位の音声受信が可能

本製品の構成

本製品の構成は、以下の通りです。

なお、開梱は本体に損傷を与えないよう慎重に行ってください。梱包箱と梱包材は、後日輸送するときのために保管しておいてください。付属品が不足している場合や輸送中の損傷が見られる場合は、当社までご連絡ください。

- 本体
 - アクティブユニット x1
 - パッシブユニット x1
- ACアダプター (PS-P1524E) x1
- スピーカーケーブル x1
- 接続ケーブル (RCA - 6.3mm (1/4") TSプラグ) x1
- 取扱説明書 (本書、保証書付き) x1

注意

本機には必ず、付属の専用ACアダプター (PS-P1524E) をご使用ください。また、付属のACアダプターを他の機器に使用しないでください。故障、火災、感電の原因となります。

本書の表記

本書では、以下のような表記を使います。

- 本機のボタン／端子などを「Powerスイッチ」のように太字で表記します。
- 本機とBluetoothで接続するパソコンやポータブルオーディオ機器などを「Bluetooth機器」と表記します。
- 必要に応じて追加情報などを、「ヒント」、「メモ」、「注意」として記載します。

ヒント

本機を、このように使うことができる、といったヒントを記載します。

メモ

補足説明、特殊なケースの説明などを記載します。

注意

指示を守らないと、人がけがをしたり、機器が壊れたり、データが失われたりする可能性がある場合に記載します。

設置上の注意

- 本機の動作保証温度は、摂氏5度～35度です。
- 次のような場所に設置しないでください。音質低下の原因、または故障の原因となります。

振動の多い場所
窓際などの直射日光が当たる場所
暖房器具のそばなど極端に温度が高い場所
極端に温度が低い場所
湿気の多い場所や風通しが悪い場所

- 放熱をよくするために、本機の上には物を置かないでください。
- パワーアンプなど熱を発生する機器の上に本機を置かないでください。
- 本機の近くにパワーアンプなどの大型トランスを持つ機器がある場合にハム（うなり）を誘導することがあります。この場合は、この機器との間隔や方向を変えてください。
- テレビやラジオの近くで本機を動作させると、テレビ画面に色むらが出る、またはラジオからの雑音が出ることがあります。この場合は、本機を遠ざけて使用してください。
- 携帯電話などの無線機器を本機の近くで使用すると、着信時や発信時、通話時に本機から雑音が出ることがあります。この場合は、それらの機器を本機から遠ざけるか、もしくは電源を切ってください。

結露について

本機を寒い場所から暖かい場所へ移動したときや、寒い部屋を暖めた直後など、気温が急激に変化すると結露を生じることがあります。結露したときは、約1～2時間放置してから電源を入れてお使いください。

製品のお手入れ

製品の汚れは、柔らかい布でからぶきしてください。化学雑巾、ベンジン、シンナー、アルコールなどで拭かないでください。表面を傷める、または色落ちさせる原因となります。

電波について

本機は、電波法に基づく小電力データ通信システムの無線設備として、認証技術基準適合証明を受けています。したがって、本機を使用するときに無線局の免許は必要ありません。

ただし、以下の事項を行うと法律に罰せられることがあります。

- 本機を分解／改造すること
- 本機に貼ってある証明ラベルをはがすこと



本機の使用上の注意事項

本機の使用周波数帯（2.4GHz帯）では、電子レンジなどの産業・科学・医療用機器のほか、工場の製造ラインなどで使用されている移動体識別用の構内無線局（免許を要する無線局）および特定小電力無線局（免許を要しない無線局）、ならびにアマチュア無線局（免許を要する無線局）が運用されています。

- 使用する前に、近くで移動体識別用の構内無線局および特定の小電力無線局ならびにアマチュア無線局が運用されていないことを確認してください。
- 万一、本機から移動体識別用の構内無線局に対して電波干渉の事例が発生した場合には、速やかに場所を変更するか、または電波の発射を停止したうえ、タスカム カスタマーサポート（巻末に記載）にご連絡ください。
- その他、電波干渉の事例が発生した場合など何かお困りの場合は、タスカム カスタマーサポート（巻末に記載）へお問い合わせください。

通信コンディション

本機のBluetooth通信出力クラスは、Class2です。見通し通信距離は10m程度ですが、障害物や電波状況によって距離は変動します。

本機とBluetooth機器との間に障害物がある場合、Bluetooth通信に悪影響が出る場合があります。この場合は、障害物を除去してください。また、使用環境内で無線LAN（IEEE802.11b/g）や電子レンジが使用されている場合にも、Bluetooth通信に悪影響が出る場合があります。この場合は、これらの機器の使用を中止するか、本機およびBluetooth機器をこれらの機器から10m以上離してください。

Bluetooth®について

本機は、Bluetoothオーディオレシーバーを搭載しており、Bluetoothに対応したパソコンやポータブルオーディオ機器（Bluetooth機器）の再生音声を出力できません。

注意

本機のBluetooth機能について、全てのBluetooth機器との接続や動作を保証するものではありません。

プロフィール

本機は、以下のBluetoothプロフィールに対応しています。

- A2DP (Advanced Audio Distribution Profile)

Bluetoothで音声伝送を行うには、Bluetooth機器がA2DPに対応している必要があります。

ただし、同じプロフィールに対応していても、Bluetooth機器の仕様により、機能が異なる場合があります。

コーデック

本機は、以下のコーデックに対応しており、音声伝送時にいずれかのコーデックを自動選択します。

- SBC
- AAC
- aptX

使用するコーデックは、Bluetooth機器のコーデック対応や通信状況に応じて適切に選択します。

メモ

- 使用するコーデックは、ボタン操作などで選択することはできません。
- Bluetooth無線技術の特性により、Bluetooth機器の再生に比べて本機側での再生がわずかに遅れます。

コンテンツ保護

本機は、音声伝送時のコンテンツ保護としてSCMS-Tに対応しており、保護された音声を再生できます。

通信セキュリティ

本機は、Bluetooth通信でBluetoothの標準規格に準拠したセキュリティ機能に対応していますが、通信の秘匿性を保障するものではありません。

Bluetoothでの通信で情報の漏洩が発生しなくても、弊社は一切の責任を負いかねます。

ユーザー登録について

TASCAMのウェブサイトにて、オンラインでのユーザー登録をお願いします。

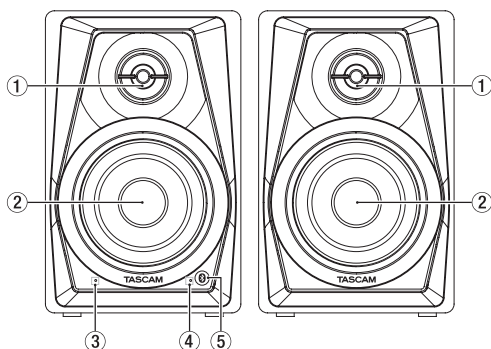
<http://tascam.jp/support/registration/>

アフターサービス

- この製品には、保証書が添付（巻末に記載）されています。大切に保管してください。万が一販売店印の捺印やご購入日の記載が無い場合は、無料修理保証の対象外になりますので、ご購入時のレシートなどご購入店・ご購入日が確認できるものを一緒に保管してください。
- 保証期間はご購入日より1年です。保証期間中は、保証書に記載の無料修理規定によりティアック修理センター（巻末に記載）が無料修理致します。その他の詳細については、保証書をご参照ください。
- 保証期間経過後、または保証書を提示されない場合の修理については、ご購入の販売店またはティアック修理センター（巻末に記載）にご相談ください。修理によって機能を維持できる場合は、お客様のご要望により有料修理いたします。
- 万一、故障が発生した場合は使用を中止し、ご購入の販売店またはティアック修理センター（巻末に記載）までご連絡ください。
- 修理を依頼される場合は、次の内容をお知らせください。なお、本機の故障、もしくは不具合により発生した付随的損害（録音内容などの補償）の責については、ご容赦ください。
 - 型名、型番（VL-S3BT）
 - 製造番号（Serial No.）
 - 故障の症状（できるだけ詳しく）
 - お買い上げ年月日
 - お買い上げ販売店名
- お問い合わせ先については、巻末をご参照ください。
- 本機を廃棄する場合に必要な収集費などの費用は、お客様のご負担になります。

各部の名称

フロントパネル



[アクティブユニット] [パッシブユニット]

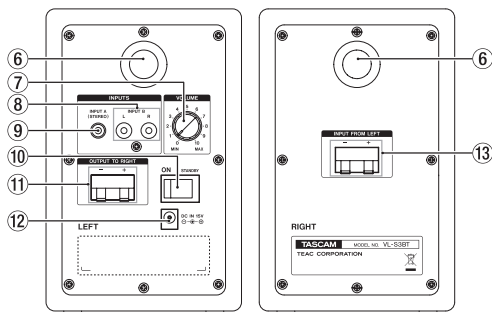
- ① ツイーターユニット
- ② ウーファーユニット
- ③ STANDBY/ONインジケーター
- ④ Bluetoothインジケーター

Bluetooth機器との接続状態をインジケーターの点灯状態で示します。

インジケーター 点灯状態	内容
消灯	未接続
点灯	接続中
点滅	ペアリング動作中

- ⑤ Bluetooth PAIRINGボタン

リアパネル



[アクティブユニット] [パッシブユニット]

- ⑥ バスレフポート
- ⑦ VOLUMEノブ
- ⑧ RCAピン入力端子
- ⑨ ステレオミニ入力端子
- ⑩ STANDBY / ONスイッチ
- ⑪ スピーカー出カターミナル
(OUTPUT TO RIGHT)
パッシブユニットと接続
- ⑫ DC IN 15V端子
- ⑬ スピーカー入力ターミナル
(INPUT FROM LEFT)
アクティブユニットと接続

準備

接続前の注意

- 本機を開梱するとき、スピーカーユニットを持たないでください。
- 信号用ケーブルや電源コードは、引っ掛けたりする恐れのないように接続してください。
- 本機の内蔵アンプの電源を入れる前には、入力信号をゼロか最小にしてから電源を入れてください。大きな入力信号のまま電源を入れると、スピーカーユニットを損傷する恐れがあります。
- 大音量で長時間連続使用しないでください。聴覚上の障害をおこす恐れがあります。
- 電源コードや電源コンセント、または音声信号用ケーブルやプラグには、損傷がなく、芯線同士のショートなどのないものをご使用ください。
- 電源スイッチをオフにしてから電源コードを接続してください。
- 本機には、音声信号以外の信号を入力しないでください。
- 音声信号を本機に接続する際には、入力信号レベルをゼロか最小にし、内蔵パワーアンプの電源スイッチをオフになっていることを確認してから接続してください。
- 接続は、正しい極性で行ってください。

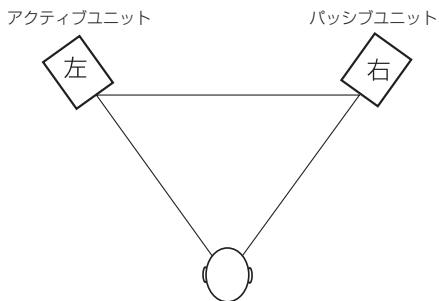
接続

1. 電源スイッチをオフにします。
2. 付属の専用ACアダプター (PS-P1524E) を本機に接続し、電源を接続します。
3. アクティブユニットの入力端子 (RCAタイプまたはステレオミニタイプ) と出力機器を、付属の接続ケーブル (RCA - 6.3mm (1/4") TSプラグ) で接続します。
4. アクティブユニットの出力ターミナルとパッシブユニットの入力ターミナルを、付属のスピーカーケーブルで接続します。

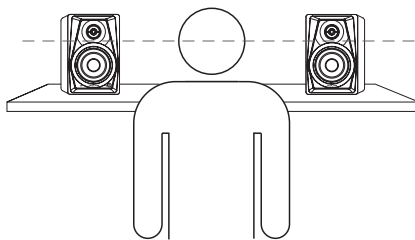
設置

スピーカーを正しく設置することは、非常に重要です。スピーカーを設置する位置によっては、低域成分の量感が変わります。スピーカーの能力を十分発揮できるように、いろいろな位置でテストしてください。

- アクティブユニットを左側に、パッシブユニットを右側に設置します。
- リスニングポイントと2つのスピーカーユニットが、正三角形になるように設置してください。



- ウーファーの最上部が耳の高さの位置になるように設置してください。



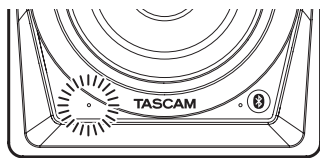
- 鏡、ガラスなど、音を反射させるものなどの近くに設置しないでください。また、スピーカーとリスニングポイントの間にも、物を置かないでください。

入力ソースの切り換え

本機で出力する音声は、RCAピン入力端子やステレオミニ入力端子などのLINE入力、またはBluetoothで受信した音声から選択できます。

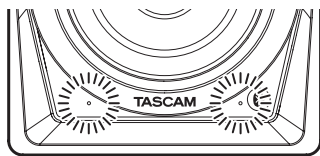
Bluetooth PAIRINGボタンを押して、入力ソースを交互に切り換えて選択してください。

入力ソースがLINE入力の場合



インジケータ名	点灯状態
STANDBY/ONインジケータ	点灯
Bluetoothインジケータ	消灯

入力ソースがBluetoothの場合



インジケータ名	点灯状態
STANDBY/ONインジケータ	点灯
Bluetoothインジケータ	点灯
	点滅

注意

Bluetooth機器がペアリング接続されていない場合、入力ソースをBluetoothに切り換えるとBluetoothインジケータは点滅となり、ペアリング待機状態となります。

Bluetooth機器の再生

本機では、Bluetooth (A2DP) に対応したパソコンやポータブルオーディオ機器など (Bluetooth機器) から の音声を出力することができます。

ペアリング

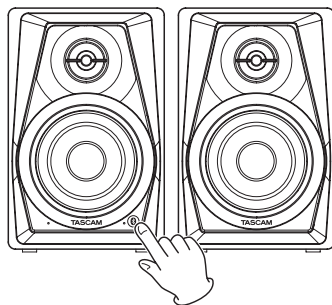
Bluetooth機器と通信を行うには、まず以下の手順でペアリングを行います。

メモ

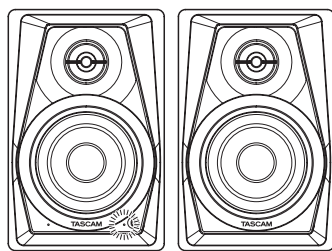
ペアリングを行うには、Bluetooth機器の操作も必要です。

操作方法は、お使いのBluetooth機器の取扱説明書をご覧ください。

1. 本機のBluetooth PAIRINGボタンを押します。



Bluetoothインジケータが点滅し、ペアリング待機状態となります。



2. Bluetooth機器から、本機 (VL-S3BT) を選択します。
ペアリングに成功するとBluetoothインジケータが点滅から点灯に変わり、その機器との接続が完了します。

ペアリング接続の解除

ペアリング接続の解除を本機から行う場合は、以下の操作を行ってください。

1. Bluetooth PAIRINGボタンを、2秒以上押し続けます。
2. ペアリング接続が解除され、Bluetoothインジケータが点灯から点滅に変わり、ペアリング待機状態になります。

トラブルシューティング

本機の動作がおかしいときは、修理を依頼する前にもう一度、下記の点検を行ってください。

それでも改善しないときは、お買い上げ店またはティアック修理センター（巻末に記載）にご連絡ください。

電源が入らない。

- 付属の専用ACアダプター（PS-P1524E）の電源プラグおよびDCジャックがしっかりと差し込まれていますか？

音が出ない。

- 再生機器との接続をもう一度確認してください。
- アンプの音量や設定を確認してください。

音が途切れたり、雑音が入る。

- 接続ケーブルが接触不良になっていませんか？
- 無線LANや他のBluetooth機器、電子レンジなどが近くにありませんか？
なるべくそれらの機器から離れてご使用ください。
- Bluetooth機器と本機の距離を近づけてご使用ください。また、Bluetooth機器や本機の位置を変えてください。
- スマートフォンで音楽再生以外のアプリケーションが動作している場合は音が途切れる場合があります。その場合は音楽再生以外のアプリケーションの動作を止めてください。

接続ができない、あるいは、通信が途切れる。

- Bluetooth機器の電源が入っているか、BluetoothがONになっているか確認してください。
- Bluetooth 機器との距離が離れすぎていませんか？
あるいは、間に壁や障害物などでさえぎられていますか？
Bluetooth機器が本体の後面側にある場合、本機自身でさえぎっていることも考えられます。
Bluetooth機器や本機の位置を変えてください。
- 本機の電源を切り、再度本機の電源をONにしてください。
- Bluetooth機器の「VL-S3BT」の登録を解除し、59ページ「ペアリング」の操作を行ってください。

ペアリングができない。

- 接続したいBluetooth機器がA2DPに対応しているか確認してください。
- 接続したいBluetooth機器の通信が可能な状態になっているか確認してください。詳しくは、お使いのBluetooth機器の取扱説明書をご確認ください。
- 本機とBluetooth機器の電源を一度切り、再び電源を入れてペアリングを試してください。
- ペアリングしようとするBluetooth機器以外のBluetooth機器の電源を切ってください。
- Bluetooth機器側の「VL-S3BT」の登録を一度削除した後、再度ペアリングしてください。

仕様

一般

実用最大出力（歪率：10%）

14W + 14W

スピーカーユニット

3インチ（76.2mm）ウーファー
0.5インチ（12.7mm）ツイーター

エンクロージャー形式

バスレフ型

周波数特性

80Hz ~ 22kHz

クロスオーバー周波数

8kHz

感度

-4.8dBV（580mV）14W+14W

外部入力端子

RCAピン端子、ステレオミニ端子

入カインピーダンス

50kΩ

Bluetooth

Bluetoothバージョン：4.0
出力クラス：Class 2
(見通し通信距離：約10m*)

対応プロファイル：A2DP

対応A2DPコーデック：SBC、AAC、aptX

対応A2DPコンテンツ保護：SCMS-T

※ 通信距離は目安です。周囲の環境や電波状況により通信距離は変わる場合があります。

電源

専用ACアダプター（PS-P1524E）
入力電圧：AC100 - 125V（50 / 60Hz）
出力電圧：DC15V
出力電流：2.4A

消費電力

6.5W

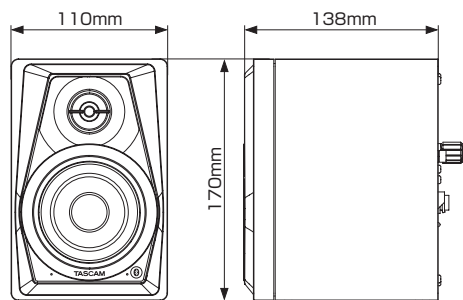
外形寸法

110 x 170 x 138mm
(幅×高さ×奥行き、突起部を含まず)

質量

アクティブユニット：1.1kg
パッシブユニット：1.0kg

寸法図



- 取扱説明書のイラストが一部製品と異なる場合があります。
- 製品の改善により、仕様および外観が予告なく変更することがあります。

ティアック株式会社

〒206-8530 東京都多摩市落合1-47

この製品の取り扱いなどに関するお問い合わせは

タスカム カスタマーサポート 〒206-8530 東京都多摩市落合1-47



0570-000-809

市内通話料でOK

ナビダイヤル® 一般電話・公衆電話からは市内通話料金でご利用いただけます。

受付時間は、10:00～12:00 / 13:00～17:00です。(土・日・祝日・弊社指定休日を除く)

●ナビダイヤルがご利用いただけない場合

電話：042-356-9137 / FAX：042-356-9185

故障・修理や保守についてのお問い合わせは

ティアック修理センター 〒358-0026 埼玉県入間市小谷田858



0570-000-501

市内通話料でOK

ナビダイヤル® 一般電話・公衆電話からは市内通話料金でご利用いただけます。

受付時間は、9:30～17:00です。(土・日・祝日・弊社指定休日を除く)

●ナビダイヤルがご利用いただけない場合

電話：04-2901-1033 / FAX：04-2901-1036

■住所や電話番号は、予告なく変更する場合があります。あらかじめご了承ください。

WARRANTY / 保証書

< In the United States >

This warranty gives you specific legal rights and you may also have other rights which vary from state to state. This warranty is only valid within the country the unit was originally purchased.

WHAT IS AND IS NOT COVERED

Except as specified below, this warranty covers all defects in materials and workmanship in this product. The following are not covered by the warranty:

1. Damage to or deterioration of the external cabinet.
2. Damages resulting from accident, misuse, abuse or neglect.
3. Damage resulting from failure to perform basic daily maintenance and/or calibration or otherwise resulting from failure to follow instructions contained in your owner's manual.
4. Damage occurring during shipment of the product. (Claims must be presented to the carrier)
5. Damage resulting from repair or attempted repair by anyone other than TEAC or an authorized TASCAM service station.
6. Damage resulting from causes other than product defects, including lack of technical skill, competence, or experience of the user.
7. Damage to any unit which has been altered or on which the serial number has been defaced, modified or is missing.

WHO MAY ENFORCE THE WARRANTY

This warranty may be enforced only by the original purchaser. This warranty is not valid if the product was purchased through an unauthorized dealer.

LENGTH OF WARRANTY

All parts except heads and disk drives are warranted for one (1) year from the date of original purchase. Heads and disk drives are warranted to ninety (90) days from date of original purchase. Labor is warranted for ninety (90) days from date of original purchase.

WHAT WE WILL PAY FOR

We will pay all labor and material expenses for items covered by the warranty. Payment of shipping charges is discussed in the next section of this warranty.

HOW YOU CAN GET WARRANTY SERVICE

Your unit must be serviced by an authorized TASCAM service station in the United States. (This warranty is not enforceable outside the U.S.) If you are unable to locate an authorized TASCAM service station in your area, please contact us. We either will refer you to an authorized service station or instruct you to return the unit to the factory. Whenever warranty service is required, you must present a copy of the original dated sales receipt from an Authorized TASCAM Dealer.

You must pay any shipping charges if it is necessary to ship the product to service. However, if the necessary repairs are covered by the warranty, we will pay return surface shipping charges to any destination within the United States.

LIMITATION OF IMPLIED WARRANTIES

Any implied warranties, INCLUDING WARRANTIES OF MERCHANTABILITY AND FITNESS FOR A PARTICULAR PURPOSE, are limited in duration to the length of this warranty.

EXCLUSION OF DAMAGES

TEAC's liability for any defective product is limited to repair or replacement of the product, at TEAC's option. TEAC shall not be liable for:

1. Damages based upon inconvenience, loss of use of the product, loss of time interrupted operation or commercial loss; or
2. Any other damages, whether incidental, consequential or otherwise.

Some states do not allow limitations on how long an implied warranty lasts and/or do not allow the exclusion or limitation of incidental or consequential damages, so the above limitations and exclusions may not apply to you.

To locate an Authorized Service Center in Your Area

CALL 1-800-447-8322

< Europe >

This product is subject to the legal warranty regulations of the country of purchase. In case of a defect or a problem, please contact the dealer where you bought the product.

Ce produit est sujet aux réglementations concernant la garantie légale dans le pays d'achat. En cas de défaut ou de problème, veuillez contacter le revendeur chez qui vous avez acheté le produit.

Dieses Gerät unterliegt den gesetzlichen Gewährleistungsbestimmungen des Landes, in dem es erworben wurde. Bitte wenden Sie sich im Gewährleistungsfall an den Händler, bei dem sie das Gerät erworben haben.

Questo apparecchio è conforme alle norme sulla garanzia vigenti nel rispettivo Paese in cui esso è stato acquistato. Si prega di rivolgersi al proprio commerciante, presso il quale è stato acquistato l'apparecchio, nel caso in cui si voglia richiedere una prestazione in garanzia.

Las condiciones de garantía de este aparato están sujetas a las disposiciones legales sobre garantía del país en el que ha sido adquirido. En caso de garantía, debe dirigirse al establecimiento donde adquirió el aparato.

<日本>

無料修理規定 (持ち込み修理)

1. 取扱説明書、本体貼付ラベルなどの注意書きにしたがった正常な使用状態で保証期間内に故障が発生した場合には、ティアック修理センターが無料修理いたします。
2. 本体の保証期間は、お買い上げの日から1年です。
3. 保証期間内に故障して無料修理を受ける場合は、本書をご提示の上、ティアック修理センターまたはお買い上げの販売店に修理をご依頼ください。商品を送付していただく場合の送付方法については、事前にティアック修理センターにお問い合わせください。
4. ご転居、ご贈答品などでお買い上げの販売店に修理をご依頼にならない場合は、ティアック修理センターにご連絡ください。

5. 次の場合には、保証期間内でも有料修理となります。

- (1)ご使用上の誤りおよび不当な修理や改造による故障および損傷
- (2)お買い上げ後の輸送・移動・落下などによる故障および損傷
- (3)火災、地震、水害、落雷、その他の天災地変、公害や異常電圧による故障および損傷
- (4)接続している他の機器に起因する故障および損傷
- (5)業務上の長時間使用など、特に苛酷な条件下において使用された場合の故障および損傷
- (6)メンテナンス
- (7)本書の提示がない場合
- (8)本書にお買い上げ年月日、お客様名、販売店名(印)の記入のない場合、あるいは字句を書き換えられた場合

6. 本書（日本語記載部）は日本国内においてのみ有効です。These warranty provisions in Japanese are valid only in Japan.

7. 本書は再発行いたしませんので、紛失しないよう大切に保管してください。

※ この保証書は、本書に明示した期間・条件のもとにおいて無料修理をお約束するものではありません。この保証書によって保証書を発行しているもの（保証責任者）、およびそれ以外の事業者に対するお客様の法律上の権利を制限するものではありません。保証期間経過後の修理などについてご不明の場合は、ティアック修理センターにお問い合わせください。

< In other countries/areas >

This warranty gives you specific legal rights, and you may also have other rights that vary by country, state or province.

If you have a warranty claim or request, please contact the dealer where you bought the product.

该证书赋予了顾客特定的合法权利，并且因国家，州或省等地域的不同，顾客可能拥有其他权利。如需申请或要求保修，请与购买本产品的销售店进行联系。

If you require repair services for your TASCAM equipment, please contact the dealer where the product was purchased from or the TASCAM Distributor in your country. A list of TASCAM Distributors can be found on our website at

WARRANTY / 保証書

Model / 型名

Owner's name / お名前

VL-S3BT

Serial No. / 機番

Address / ご住所

Sample

Date of purchase / お買い上げ日

Dealer's name / 販売店

TASCAM

Dealer's address / 住所

Memo / 修理メモ

お客様にご記入いただいた保証書の控えは、保証期間内のサービス活動およびその後の安全点検活動のために記載内容を利用させていただく場合がございますので、ご了承ください。

ティアック株式会社

〒206-8530 東京都多摩市落合1-47

ティアック修理センター

〒358-0026 埼玉県入間市小谷田 858

電話：0570-000-501 / 04-2901-1033