

Professional Series

Key Features:

- ▶ Premium passive loudspeaker system
- ▶ Very high power handling
- ▶ 18 inch, 2242H - Super Vented Gap Cooled™ woofer for extended low-frequency output and extremely low distortion
- ▶ Large port area for reduced distortion
- ▶ 20 mm threaded pole socket for solid, secure satellite speaker mounting

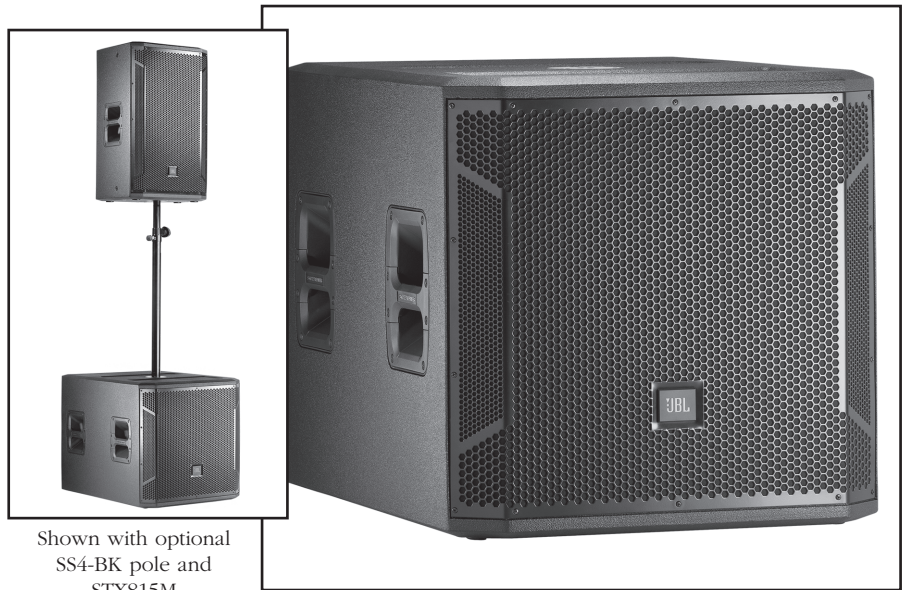
Applications

- ▶ Live performance venues
- ▶ Mobile and fixed DJ systems
- ▶ Sound system rental

The STX818S is a compact, high power subwoofer system containing a 2242H patented Super Vented Gap Cooled™ 18" woofer in a front-loaded, vented enclosure. The enclosure is designed to present a minimum frontal area. The system offers complete input connection flexibility for compatibility with a variety of cabling schemes. A recessed, external switch allows selection of either contacts +1/-1 or +2/-2.

The STX818S is equipped with a top-mounted, threaded, 20 mm socket that can receive the optional SS4-BK pole. This adjustable height pole can be used to mount speakers equipped with standard 35 mm pole sockets and weighing up to 50 kg (100 lb). The threaded socket minimizes buzzing and rattling and assures that the pole will be secure and straight.

The enclosure is constructed of top quality birch/poplar laminate plywood, coated in JBL's rugged DuraFlex™ finish and is heavily braced to maximize low-frequency performance. The attractive CNC-machined, 14-gauge steel grille is internally lined with acoustically transparent cloth to provide additional driver protection and give a very professional appearance. The rear of the enclosure is fitted with T-nuts which may be used to attach the optional WK-4 caster kit.



Shown with optional SS4-BK pole and STX815M

Specifications:

System Type:	18" bass-reflex subwoofer
Frequency Range (-10 dB):	35 Hz – 250 Hz
Frequency Response (±3 dB):	40 Hz – 120 Hz
Input Connection Modes:	Switchable, +1/-1 or +2/-2
Recommended Crossover Frequencies:	30 Hz, 24 dB / octave HPF 80 Hz, 24 dB / octave LPF
Power Rating (Continuous ¹ / Program / Peak):	1000 W / 2000 W / 4000 W
Maximum SPL ² :	132 dB SPL peak
Sensitivity (1w @ 1m):	96 dB SPL
LF Driver:	1 x JBL 2242H 457 mm (18 in) Super Vented Gap Cooled™ woofer
Nominal Impedance:	8 ohms
Active Tunings:	Designed for Crown amplifiers and dbx DriveRack. Settings available at www.jblpro.com
Mounting:	Top mounted M20 threaded socket for optional SS4-BK pole
Enclosure:	Rectangular, 18 mm, 13-ply birch/poplar laminate plywood
Transport:	4 side handles, bottom mounting points for optional casters
Finish:	Black DuraFlex finish
Grille:	Powder coated, black, 14-gauge perforated steel with acoustical transparent cloth backing. Removable JBL badge and punched JBL logo.
Input Connectors:	Neutrik® Speakon® NL-4 (x2)
Dimensions (H x W x D):	558 mm x 568 mm x 718 mm (22.0 in x 22.4 in x 28.3 in)
Net Weight:	45 kg (100 lb)
Optional Accessories:	SS4-BK: Adjustable, heavy-duty pole, M20 thread to 35 mm WK-4: Caster kit For covers go to www.jblbags.com

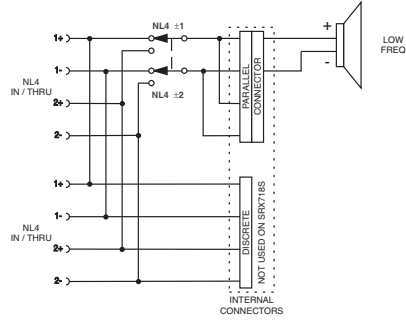
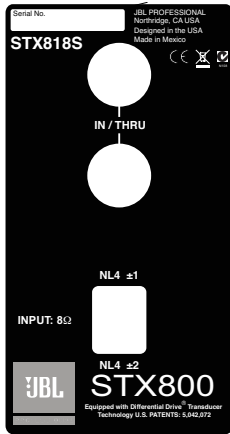
¹40 Hz to 120 Hz pink noise with 6 dB crest factor, 2 hours duration.

²Calculated based on power rating and sensitivity.

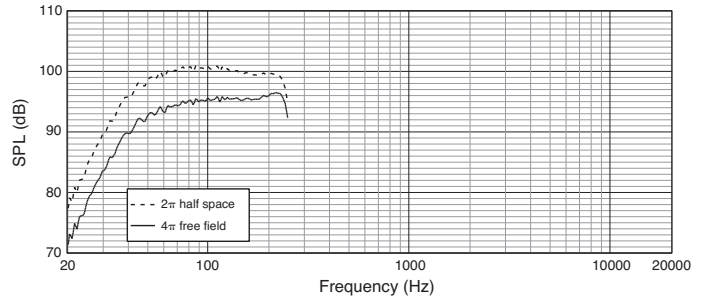
JBL continually engages in research related to product improvement. Some materials, production methods and design refinements are introduced into existing products without notice as a routine expression of that philosophy. For this reason, any current JBL product may differ in some respect from its published description, but will always equal or exceed the original design specifications unless otherwise stated.

STX818S 18" High Power Subwoofer

Block Diagram



Frequency Response



Dimensions

