

## Technical Specifications



# ULTRAVOICE XM1800S

3 Dynamic Cardioid Vocal and Instrument Microphones (Set of 3)

# ULTRAVOICE XM1800S

## 3 Dynamic Cardioid Vocal and Instrument Microphones (Set of 3)

- Dynamic vocal and instrument microphone with on/off switch for excellent studio and live performance
- Ultra-wide frequency response for brilliant and transparent sound
- Extremely high signal output lets your voice cut through
- Cardioid characteristic minimizes background noise and feedback
- Convenient on/off switch to mute during breaks
- Integrated spherical wind and pop noise filter
- Microphone stand adapter and impact-resistant carrying case included
- High-quality components and exceptionally rugged construction ensure long life
- Conceived and designed by BEHRINGER Germany

### Specifications

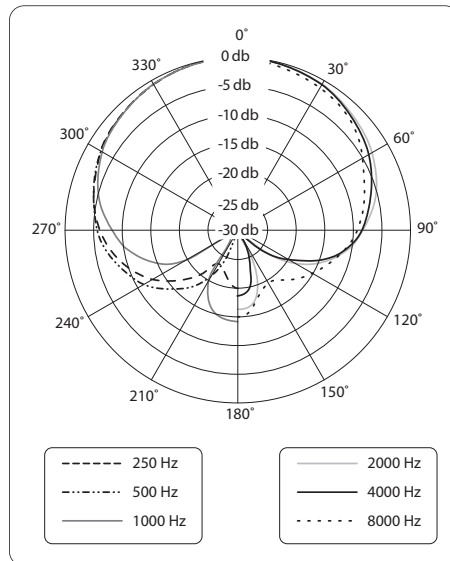
Type	Dynamic
Frequency response	80 Hz - 15 kHz
Polar pattern	Super cardioid
Impedance	600 $\Omega$
Sensitivity	-52 dBV (0 dBV = 1 V/Pa), 2.5 mV/Pa
Connector	3-pin balanced XLR (male)

#### Physical/Weight

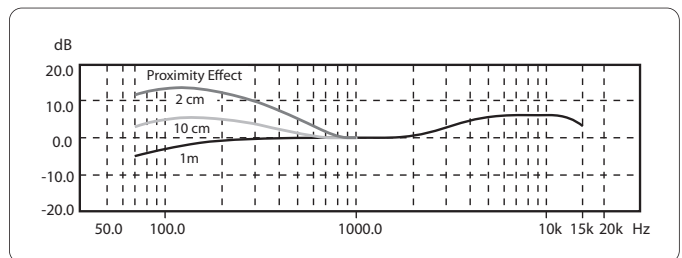
##### Dimensions

Head length	57.5 mm
Main unit length	117.5 mm
Total length	175 mm

Weight	270 g
--------	-------



Polar Pattern



Frequency Response Chart