

11 – Specifications

Audio resolution

■ Sampling frequencies

44.1, 48, 88.2, 96 kHz

■ Quantization bit depth

16/24-bit

Input/output ratings

Analog inputs

Mic inputs (balanced)

US-2x2:	IN 1-2
US-4x4:	IN 1-4
Connectors:	XLR-3-31 equivalent (1: GND, 2: HOT, 3: COLD)
Input impedance:	2.2 k Ω
Rated input level:	-65 dBu (0.0004 Vrms) (gain knob at MAX)
Rated input level:	-8 dBu (0.3090 Vrms) (gain knob at MIN)
Maximum input level:	+8 dBu (1.9467 Vrms)
Gain range:	57 dB

Instrument inputs (unbalanced)

IN 1-2	
(MIC/LINE INST switch set to INST)	
Connectors:	6.3mm (1/4") standard TS stereo jacks (Tip: HOT, Sleeve: GND)
Input impedance:	1 M Ω or more
Rated input level:	-63 dBV (0.0007 Vrms) (gain knob at MAX)
Rated input level:	-6 dBV (0.5015 Vrms) (gain knob at MIN)
Maximum input level:	+10 dBV (3.162 Vrms)
Gain range:	57 dB

Line inputs (balanced)

US-2x2:	IN 1-2
US-4x4:	IN 1-4
(MIC/LINE INST switch set to MIC/LINE)	
Connector:	6.3mm (1/4") standard TRS stereo jack (Tip: HOT, Ring: COLD, Sleeve: GND)
Input impedance:	10 k Ω
Rated input level:	-53 dBu (0.0017 Vrms) (gain knob at MAX)
Rated input level:	+4 dBu (1.228 Vrms) (gain knob at MIN)
Maximum input level:	+20 dBu (7.75 Vrms)
Gain range:	57 dB

Analog outputs

Line Outputs (balanced)

US-2x2:	LINE OUT 1-2
US-4x4:	LINE OUT 1-4
Connectors:	6.3mm (1/4") standard TRS stereo jacks (Tip: HOT, Ring: COLD, Sleeve: GND)
Output impedance:	110 Ω
Rated output level:	+4 dBu (1.273 Vrms)
Maximum output level:	+20 dBu (7.75 Vrms)

Headphone output (PHONES)

Connector:	6.3mm (1/4") standard stereo jack
Maximum output	
US-2x2:	18 mW + 18 mW or higher (THD+N 1% or less, into 32 Ω load)
US-4x4:	45 mW + 45 mW or higher (THD+N 1% or less, into 32 Ω load) (\square 1 and \square 2 total)

Control input/output ratings

MIDI IN connector

Connector:	5-pin DIN
Format:	standard MIDI

MIDI OUT connector

Connector:	5-pin DIN
Format:	standard MIDI

USB

Connector:	4-pin USB B-type
Transfer rate:	USB 2.0 High Speed (480 Mbps)

Audio performance

Mic amp EIN (equivalent input noise)

-127 dBu or less (150 Ω termination, gain knob at MAX)

Frequency response

IN1-IN4 → LINE OUT (BALANCED), Headphone (PHONES) output

At 44.1 kHz and 48 kHz	
20Hz :	+0dB/-0.3dB (JEITA)
20kHz :	+0dB/-0.1dB (JEITA)
20kHz :	+0dB/-0.5dB (HP output, JEITA)
At 88.2 kHz and 96 kHz	
20Hz :	+0dB/-0.3dB (JEITA)
40kHz :	+0dB/-0.3dB (JEITA)
40kHz :	+0dB/-2.0dB (HP output, JEITA)

S/N ratio

101 dB or higher	(MIC/LINE input to LINE OUT, gain knob at MIN, JEITA)
------------------	---

Distortion

0.003% or less	(MIC/LINE input to LINE OUT, 1kHz sine wave, at nominal input level and maximum output level, JEITA)
----------------	--

Crosstalk

95 dB or more	(MIC/LINE input to LINE OUT, 1 kHz, JEITA)
---------------	--

Computer system requirements

Check the TEAC Global Site [for the latest information about supported operating systems.](#)

Windows

Supported operating systems

Windows 10 32-bit
 Windows 10 64-bit
 Windows 8.1 32-bit
 Windows 8.1 64-bit
 Windows 7 32-bit SP1 or later
 Windows 7 64-bit SP1 or later
 (Windows 8, Windows Vista and Windows XP are not supported)

Computer hardware requirements

Windows computer with a USB 2.0 port

CPU/processor speed

2 GHz or faster dual core processor (x86)

Memory

2 GB or more

CAUTION

Operation of this unit was confirmed using standard computers that meet the above requirements. This does not guarantee operation with all computers that meet the above requirements. Even computers that meet the same system requirements might have processing capabilities that differ according to their settings and other operating conditions

Mac

Supported operating systems

macOS Sierra (10.12 or later)
 OS X El Capitan (10.11 or later)
 OS X Yosemite (10.10 or later)
 OS X Mavericks (10.9.1 or later)
 OS X Mountain Lion (10.8.4 or later)

Computer hardware requirements

Mac with a USB 2.0 port

CPU/processor speed

2 GHz or faster dual core processor

Memory

2 GB or more

iOS devices

Apple devices running iOS 7 or later

Supported audio drivers

Windows: ASIO2.0, WDM, MIDI
 Mac: Core Audio, Core MIDI

General

Power

US-2x2: Supplied by computer over USB*
 US-4x4: Dedicated AC adapter (PS-P1220E, DC12V)

* An external power supply device is necessary when using this unit with an iOS device. We highly recommend using a PS-P520E AC adapter or BP-6AA battery pack (both sold separately). When using another external power supply device, use one with the following specifications.

- Power supply voltage: 5 V
- Power supply current: 700 mA or more

Power consumption

US-2x2: 2.5 W
 US-4x4: 5 W

External dimensions

US-2x2: 186 × 65 × 160 mm (width × height × depth)
 US-4x4: 296 × 65 × 160 mm (width × height × depth)

Weight

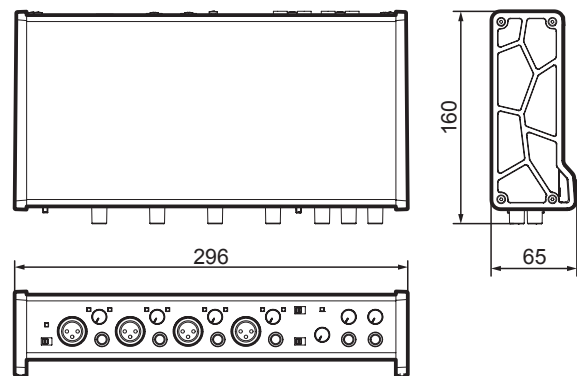
US-2x2: 1.1 kg
 US-4x4: 1.6 kg

Operating temperature range

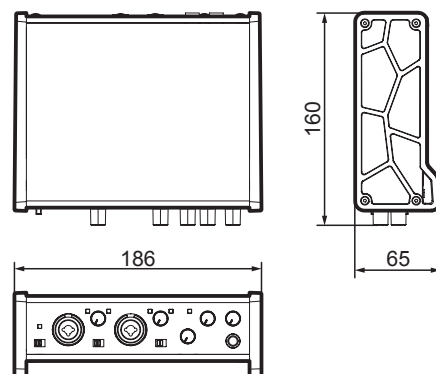
5–35 °C

Dimensional drawings

■ US-4x4



■ US-2x2



- Illustrations in this reference manual might differ in part from the actual product.
- Specifications and external appearance might be changed without notification to improve the product.