

Key Features:

- ▶ 12" woofer
- ▶ 1" polymer diaphragm compression driver
- ▶ Compact and low-profile for minimal obstruction of audience sight-lines
- ▶ 90° x 50° coverage for even and smooth response on and off axis
- ▶ Dual-angle pole socket for applications requiring tripod mounting
- ▶ Heavy Duty 16-gauge protective screen-backed steel grille
- ▶ Tough DuraFlex™ enclosure finish

Applications:

- ▶ Speech reinforcement
- ▶ Live performance stage monitoring
- ▶ Reinforcement of vocal and acoustic music
- ▶ High-performance satellite speaker for use with subwoofers

The PRX412M is a premium, utility/monitor speaker. The PRX412M uses a 305 mm (12 in) woofer and a 2414H-C 25 mm (1 in) polymer diaphragm compression driver for 300 watts (continuous) power capacity. A 90° x 50° horn provides smooth, even coverage whether used in the vertical (mains) or horizontal (monitor) orientation.

NL-2 and ¼" phone combination connectors are provided. A passive network provides accurate reproduction throughout the cross-over region.

For use on a tripod or over a subwoofer, JBL's dual angle pole mount is included. This feature allows the speaker to be mounted in a vertical position or with a 10° down tilt for optimum audience coverage.

The enclosure is constructed of birch/poplar multi-laminate hardwood and coated in JBL's rugged DuraFlex™ finish. The distinctive 16-gauge steel grille is CNC-machined for precision. The grilles are internally lined with an acoustically transparent screen to provide additional driver protection and give a very professional appearance.



Specifications:

Frequency Range (-10 dB) ¹ :	50 Hz - 20 kHz
Frequency Response (±3 dB) ¹ :	62 Hz - 19 kHz
Coverage Pattern:	90° x 50° nominal
Crossover Mode:	Passive
Crossover Frequency:	2.0 kHz
Power Rating ² :	300 W/ 600 W/ 1200 W, 2 hrs (Continuous/Program/Peak)
Maximum SPL ³ :	120 dB SPL continuous (126 dB SPL peak)
System Sensitivity (1w @ 1m):	95 dB SPL
LF Driver:	1 x JBL MB112-8 305 mm (12 in) woofer
HF Driver:	1 x JBL 2414H-C 25 mm (1 in) polymer diaphragm, compression driver
Nominal Impedance:	8 ohms
Enclosure:	Asymmetrical stage monitor, 18 mm, birch/poplar plywood.
Suspension / Mounting:	Dual angle, 0° or -10° 35 mm pole socket Twelve M10 Suspension Points
Transport:	Glass-filled handle with rubber grip
Finish:	Black DuraFlex™ finish
Grille:	Powder coated, black, 16-gauge perforated steel with acoustically transparent black screen backing.
Input Connectors:	Parallel Neutrik® Speakon® NL-2 / ¼" phone combo jacks
Dimensions (H x W x D):	574 mm x 353 mm x 399 mm (22.6 in x 13.9 in x 15.7 in)
Net Weight:	16 kg (35 lbs)
Optional Accessories:	SS2-BK: Tripod speaker stand SS4-BK: Satellite speaker pole

¹ Based on 2π acoustical loading.

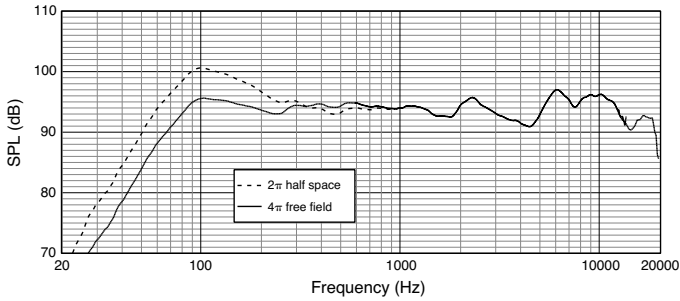
² IEC standard, full bandwidth pink noise with 6 dB crest factor for specified period

³ Calculated based on power rating and sensitivity

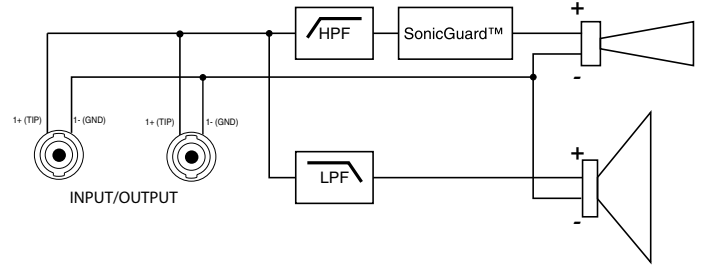
JBL continually engages in research related to product improvement. Some materials, production methods and design refinements are introduced into existing products without notice as a routine expression of that philosophy. For this reason, any current JBL product may differ in some respect from its published description, but will always equal or exceed the original design specifications unless otherwise stated.

▶ PRX412M 12" Two-Way Stage Utility / Monitor Speaker

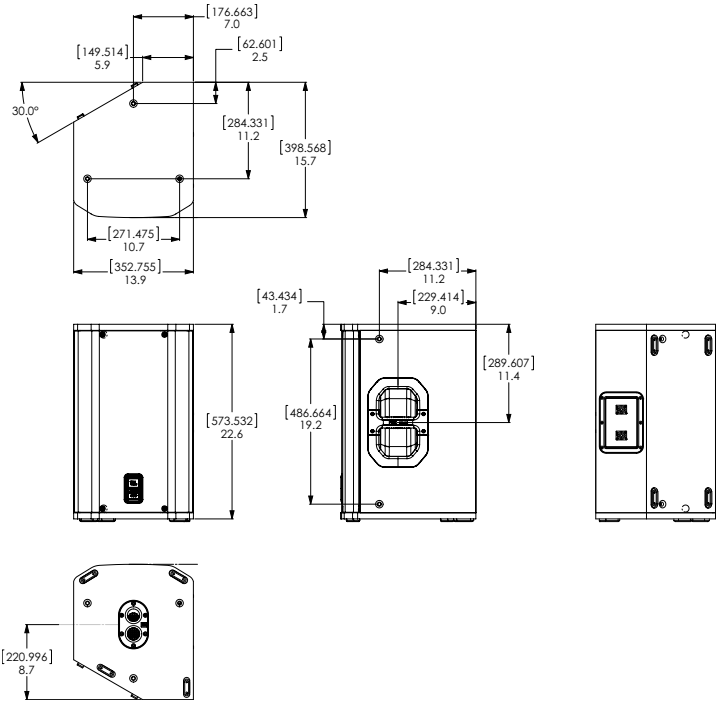
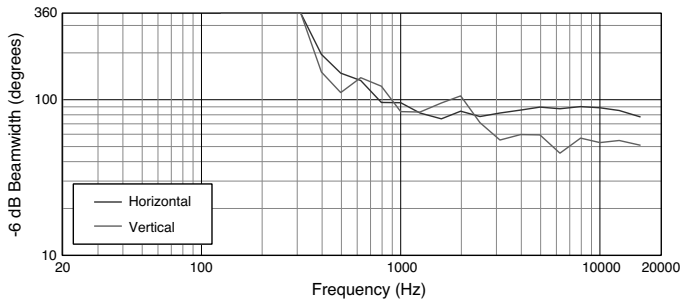
Frequency Response:



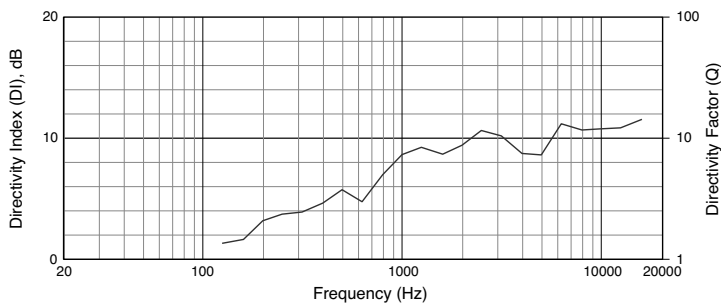
Block Diagram:



Beamwidth:



Directivity Index:



Dimensions in mm (in)

