

Professional Series

Key Features:

- ▶ Premium passive loudspeaker system
- ▶ Very high power handling
- ▶ Dual 380 mm (15 in) Vented Gap Cooled™ low-frequency drivers for extended low-frequency output
- ▶ 102 mm (4 in) voice-coil neodymium compression driver for high-power capacity and very light-weight
- ▶ 90° x 50° coverage
- ▶ Bi-amplified or full-range passive operation
- ▶ Twelve M10 suspension points

Applications

- ▶ Live sound reinforcement for vocals and musical instruments
- ▶ High-level music playback

The STX825 is an excellent choice when the application calls for high performance and simplicity. A pair of STX825s and a single, high-power amplifier is a complete sound system capable of reinforcing bass and kick drum or playing high-level music in clubs and other venues. The STX825 is comprised of two 380 mm (15 in) 2226H patented Vented Gap Cooled™ woofers with combined power handling of 1600 watts (continuous). For the high frequencies, the newly designed 2453H 102 mm (4 in) voice-coil, neodymium compression driver is mounted to a 90° by 50° horn.

Bi-amp or full-range passive operation may be selected by means of a recessed, high-current switch mounted on the input plate.

For applications requiring suspension, the enclosure is fitted with twelve M10 suspension points.

The enclosure is constructed of top quality birch/poplar laminate plywood and coated in JBL's rugged DuraFlex™ finish. The attractive CNC-machined, 14-gauge steel grille wraps around the sides of the enclosure so there are no protruding lips on the front of the box to create acoustical interference. The grilles are internally lined with acoustically transparent foam to provide additional driver protection and give a very professional appearance.



Specifications:

Frequency Range (-10 dB):	34 Hz – 20 kHz
Frequency Response (±3 dB):	42 Hz – 19 kHz
Coverage Pattern:	90° x 50° nominal
Crossover Modes:	Bi-amp / passive, externally switchable
Crossover Frequency:	1.3 kHz
Power Rating (Continuous ¹ Program / Peak):	Passive: 1600 W / 3200 W / 6400 W Bi-amp LF: 1600 W / 3200 W / 6400 W Bi-amp HF: 75 W / 150 W / 300 W
Maximum SPL ² :	136 dB SPL peak
System Sensitivity (1w @ 1m):	98 dB SPL (passive mode)
LF Driver:	2 x JBL 2226H 380 mm (15 in) Vented Gap Cooled™ woofer
HF Driver:	1 x JBL 2453H 102 mm (4 in) voice-coil, neodymium-magnet compression driver
Nominal Impedance:	Passive: 4 ohms Bi-amp LF: 4 ohms Bi-amp HF: 8 ohms
Active Tunings:	Designed for Crown amplifiers and dbx DriveRack. Settings available at www.jblpro.com
Enclosure:	Trapezoidal, 18 mm, 13-ply birch/poplar laminate plywood
Suspension / Mounting:	12 x suspension points, M10
Transport:	2 x side handles
Finish:	Black DuraFlex finish
Grille:	Powder coated, black, 14-gauge perforated steel with acoustically transparent charcoal foam backing.
Input Connectors:	Neutrik® Speakon® NL-4 (x2)
Dimensions (H x W x D):	1066 mm x 568 mm x 573 mm (42.0 in x 22.4 in x 22.6 in)
Net Weight:	51 kg (112 lb)
Optional Accessories:	229-00009-01: 3 x 10 mm forged eyebolt kit For covers, go to www.jblbags.com

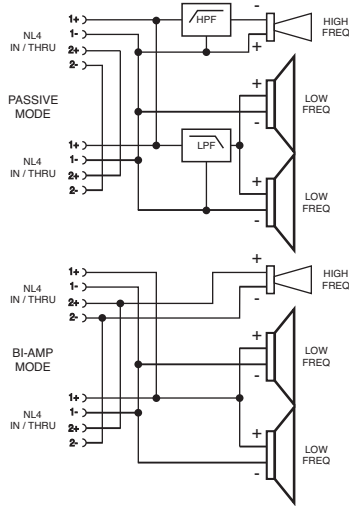
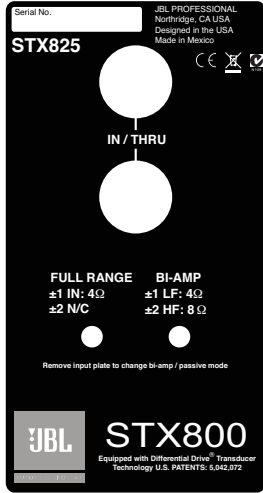
¹IEC filtered noise with 6 dB crest factor, 2 hours duration.

²Calculated based on power rating and sensitivity, 1 m.

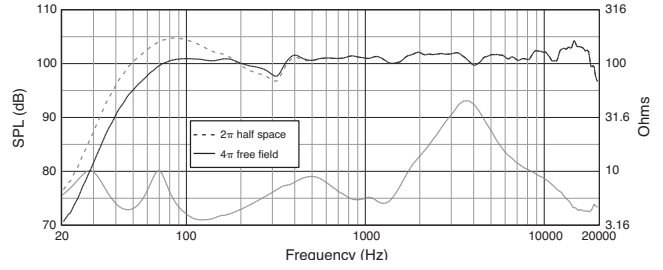
JBL continually engages in research related to product improvement. Some materials, production methods and design refinements are introduced into existing products without notice as a routine expression of that philosophy. For this reason, any current JBL product may differ in some respect from its published description, but will always equal or exceed the original design specifications unless otherwise stated.

STX825 Dual 15" High-Power, Two-Way Speaker

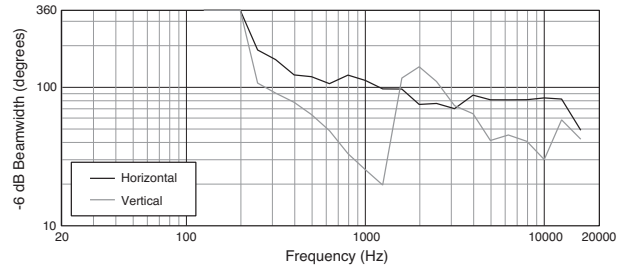
Block Diagram



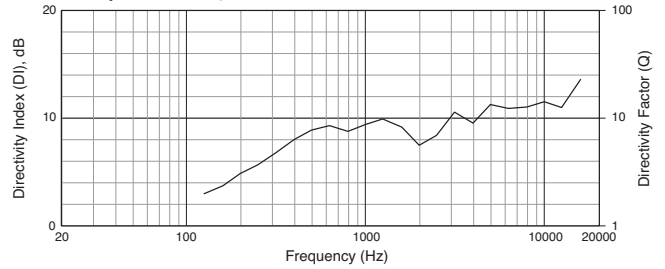
Frequency Response and Impedance



Beamwidth



Directivity Index, Q



Measurements obtained in full passive crossover mode with no signal processing. Graphs are from unaltered measured data.

Dimensions

