

ew 500 Sets

ew 512 G3 Presentation Set
ew 572 G3 Instrument Set
ew 500-935 G3 Vocal Set
ew 500-945 G3 Vocal Set
ew 500-965 G3 Vocal Set

FEATURES

- Sturdy metal housing (transmitter and receiver)
- 42 MHz bandwidth: 1,680 tunable UHF frequencies for interference-free reception
- Enhanced frequency bank system with up to 32 compatible frequencies
- Ethernet port for connecting to the Wireless Systems Manager (WSM) software for control via computer
- High-quality true diversity reception
- Pilot tone squelch for eliminating RF interference when transmitter is turned off
- Automatic frequency scan feature searches for available frequencies
- Enhanced AF frequency range
- Increased range for audio sensitivity
- Wireless synchronization of transmitter parameter from receiver
- User-friendly menu operation with more control options
- Illuminated graphic display, receiver also shows transmitter settings
- Auto-Lock function avoids accidental changing of settings
- HDX compander for crystal-clear sound
- Transmitter feature battery indication in 4 steps, also shown on receiver display
- Programmable Mute function
- Integrated Equalizer and Soundcheck mode
- Contacts for recharging BA 2015 accupack directly in the transmitter
- Wide range of accessories adapts the system to any requirement

ew 500-935 G3/ew 500-945 G3/ ew 500-965 G3 Vocal Sets

See above mentioned list of features plus

- Handheld transmitter with easy-exchangeable microphone heads from evolution series

The **ew 512 G3** is a wireless microphone set, consisting of a True Diversity receiver, a bodyworn transmitter, a professional omni-directional clip-on microphone plus accessories.

The bodypack transmitter features charging contacts for the optional rechargeable battery. Sync up the bodypack to the receiver wirelessly with the new wireless sync. Backlit graphic displays make them easy to read under all lighting conditions.



The **ew 572 G3** consists of the same components as ew 512 G3 but with CI 1 jack cable plus accessories. The system features a virtual cable emulator to get sound response just like a cable, a built-in guitar tuner and an EQ. The frequency response starts at 25 Hz for natural bass reproduction.



The **ew 500-935 G3** is a wireless microphone set, consisting of a True Diversity receiver, a handheld transmitter with e 935 microphone head plus accessories. A wireless link from receiver to the transmitter allows synchronization of frequencies for easy setup. Backlit graphic displays make them easy to read under all lighting conditions. This system uses a dynamic cardioid microphone capsule based on the stage-proof evolution e 935.

The ew 500-945 G3

consists of the same components as ew 500-935 G3 but with an e 945 microphone head.

The ew 500-965 G3

consists of the same components as ew 500-935 G3 but with an e 965 microphone head.



ew 500 Sets

ARCHITECT'S SPECIFICATIONS

ew 512 G3 Presentation Set

Complete plug & play wireless microphone set with a professional clip-on microphone (condenser, omni-directional) from Sennheiser evolution series for multi-purpose application. The devices shall have metal housings for rugged use. 42 MHz bandwidth with 1,680 tunable frequencies.

20 banks with up to 32 compatible frequencies, 1 bank for individual selectable frequencies, scan function and wireless synchronization to the transmitter for easy setup. HDX compander delivers high-quality sound performance. All parameters of transmitter and receiver can be monitored and controlled via Wireless Systems Manager (WSM) software from PC. The transmitter shall have a sensitivity range of 48 dB. The receiver offers a maximum output level of +18 dBu (+6 dB gain). True Diversity and pilot tone squelch for interference-free reception. Charging contacts on transmitter for recharging BA 2015 accupack directly in the transmitter shall be available.

3-step battery + LowBattery indication on transmitter and receiver shall give reliable information on operation time.

Menu operation, auto-lock function and illuminated graphic displays on transmitter and receiver for user-friendly operation.

A RF Mute function on transmitter and receiver allows offline settings.

An easy accessible Mute switch on the transmitter can be programmed for AF on/off, RF on/off.

An equalizer and soundcheck mode is integrated in the receiver.

ew 572 G3 Instrument Set

Complete plug & play wireless instrument set from Sennheiser evolution series for multi-purpose application. Further discription see paragraph ew 512 G3.

ew 500-935 G3 Vocal Set

Complete plug & play wireless microphone set with easy-exchangeable e 935 microphone head (dynamic, cardioid) from Sennheiser evolution series for multi-purpose application. Further discription see paragraph ew 512 G3.

ew 500-945 G3 Vocal Set

Complete plug & play wireless microphone set with easy-exchangeable e 945 microphone head (dynamic, super-cardioid) from Sennheiser evolution series for multi-purpose application. Further discription see paragraph ew 512 G3.

ew 500-965 G3 Vocal Set

Complete plug & play wireless microphone set with easy-exchangeable e 965 microphone head (externally polarized dual diaphragm condenser microphone, cardioid/super-cardioid) from Sennheiser evolution series for multi-purpose application. Further discription see paragraph ew 512 G3.

ew 500 Sets

TECHNICAL DATA

EM 500

Modulation	wideband FM
RF frequency range	516–558, 566–608, 626–668, 734–776, 780–822, 823–865 MHz
Transmission/receiving frequencies.....	1,680, tuneable in steps of 25 kHz
Receiving frequencies	1,680 frequencies, tuneable in steps of 25 kHz
	20 frequency banks, each with up to 32 factory-preset channels, intermodulation-free
	6 frequency banks with up to 32 user programmable channels
Frequency banks	20 (factory presets)
	6 (user presets)
Switching bandwidth	42 MHz
Nominal/peak deviation	±24 kHz/±48 kHz
Receiver principle.....	true diversity
Sensitivity (with HDX, peak deviation)	< 2 µV for 52 dBA rms S/N
Adjacent channel rejection	typ. ≥ 75 dB
Intermodulation attenuation.....	typ. ≥ 70 dB
Blocking.....	≥ 75 dB
Squelch	Off, 5 to 25 dBµV, adjustable in steps of 2 dB
Pilot tone squelch	can be switched off
Antenna inputs	2 BNC sockets
Companion system.....	Sennheiser HDX
EQ presets (switchable, affect the line and monitor outputs):	
Preset 1: "Flat"	
Preset 2: "Low Cut"	-3 dB at 180 Hz
Preset 3: "Low Cut/High boost"	-3 dB at 180 Hz
	+6 dB at 10 kHz
Preset 4: "High Boost"	+6 dB at 10 kHz
S/N ratio (1 mV, peak deviation)	≥ 115 dBA
THD	≤ 0.9 %
AF output voltage (at peak deviation,	
1 kHz AF)	¼" (6.3 mm) jack socket (unbalanced): +12 dBu
	XLR socket (balanced): +18 dBu
Adjustment range of audio output level.....	48 dB, adjustable in steps of 3 dB
	+6 dB gain reserve
Temperature range.....	-10 °C to + 55 °C
Power supply.....	12 V
Power consumption.....	350 mA
Dimensions	approx. 202 x 212 x 43 mm
Weight (incl. batteries)	approx. 980 g
In compliance with.....	CE, FCC, IC, ETS 300422, ETS 300445

MAINS UNIT

Input voltage.....	100 to 240 V~, 50/60 Hz
Power/current consumption	max. 120 mA
Output voltage	12 V
Secondary output current.....	400 mA
Temperature range.....	-10 °C to +40 °C
In compliance with.....	CE, FCC, IC, ETS 300422, ETS 300445

Continued on page 4

TECHNICAL DATA

SK 500 and SKM 500

Modulation	wideband FM
RF frequency range	516–558, 566–608, 626–668, 734–776, 780–822, 823–865 MHz
Transmission/receiving frequencies.....	1,680, tuneable in steps of 25 kHz
Receiving frequencies	1,680 frequencies, tuneable in steps of 25 kHz
	20 frequency banks, each with up to 32 factory-preset channels, intermodulation-free
	6 frequency banks with up to 32 user programmable channels
Switching bandwidth.....	42 MHz
Nominal/peak deviation	±24 kHz/±48 kHz
Frequency stability.....	≤ ±15 ppm
RF output power at 50 Ω.....	typ. 10/30 mW, switchable
Pilot tone squelch	can be switched off
AF characteristics	
Compander system.....	Sennheiser HDX
AF frequency response	
SK.....	microphone: 80–18,000 Hz
	line: 25–18,000 Hz
SKM	80–18,000 Hz
S/N ratio (1 mV, peak deviation)	≥ 110 dBA
THD.....	≤ 0.9 %
Max. input voltage (SK) microphone/line	3 Vrms
Input impedance (SK) microphone/line	40 kΩ, unbalanced/1 MΩ
Input capacitance (SK)	switchable
Adjustment range of input sensitivity	SK: 60 dB, adjustable in steps of 3 dB
	SKM: 48 dB, adjustable in steps of 6 dB
In compliance with.....	CE, FCC, IC, ETS 300422, ETS 300445

OVERALL DEVICE

Temperature range.....	–10 °C to +55 °C
Power supply	2 AA size batteries, 1.5 V or
	BA 2015 accupack
Nominal voltage	2.4 V
Current consumption:	
at nominal voltage	typ. 180 mA (30 mW)
with switched-off transmitter	≤ 25 µA
Operating time	typ. 8 hrs
Dimensions.....	SK: approx. 82 x 64 x 24 mm
	SKM: approx. Ø 50 x 265 mm
Weight (incl. batteries)	SK: approx. 160 g
	SKM: approx. 450 g
In compliance with.....	CE, FCC, IC, ETS 300422, ETS 300445

Continued on page 5

ew 500 Sets

TECHNICAL DATA

Microphones (SK 500)

	MKE 2
Microphone type	condenser
Sensitivity	5 mV/Pa
Pick-up pattern.....	omni-directional
Max. SPL	142 dB SPL

Microphone heads (SKM 500)

	MMD 935-1	MMD 945-1	MMK 965-1
Radio microphone type	dynamic	dynamic	condenser
Sensitivity	2.5 mV/Pa	1.8 mV/Pa	7 mV/Pa / 2.3 mV/Pa
Pick-up pattern.....	cardioid	super-cardioid	cardioid/super-cardioid, switchable
Max. SPL	154 dB SPL	154 dB SPL	142 dB SPL / 152 dB SPL
Frequency response	80.....18,000 Hz	80.....18,000 Hz	80.....18,000 Hz

DELIVERY INCLUDES for ew 512 / ew 572

- 1 EM 500 G3 rack-mount receiver
- 1 SK 500 G3 bodypack transmitter
- 1 MKE 2 clip-on microphone (omni-directional) (ew 512) or
- 1 CI 1 instrument cable (ew 572)
- 1 GA 3 rack mount
- 1 NT 2 power supply unit
- 2 Antennas
- 2 AA batteries
- 1 Instruction manual

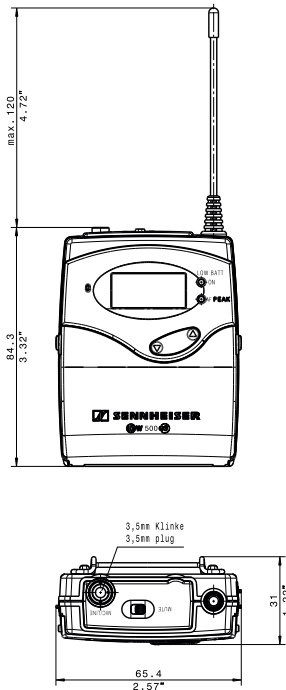
DELIVERY INCLUDES for ew 500-935 / ew 500-945 / ew 500-965 G3

- 1 SKM 500-935 handheld transmitter
with cardioid dynamic head or
- 1 SKM 500-945 handheld transmitter
with super-cardioid dynamic head or
- 1 SKM 500-965 handheld transmitter
with super-cardioid condenser head
- 1 EM 500 G3 rack receiver
- 1 MZQ 1 microphone clip
- 1 NT 2 power supply unit
- 2 Antennas
- 1 GA 3 Rack mount kit
- 2 AA batteries
- 1 Instruction Manual

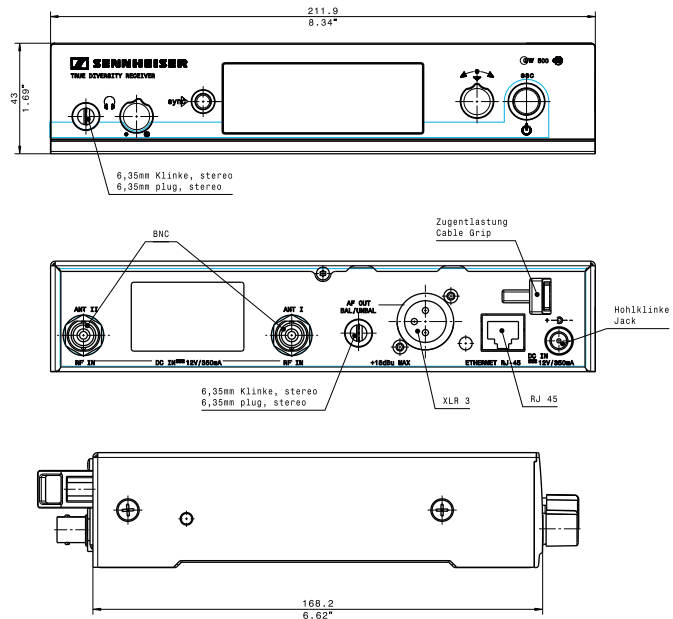
ew 500 Sets

DIMENSIONS

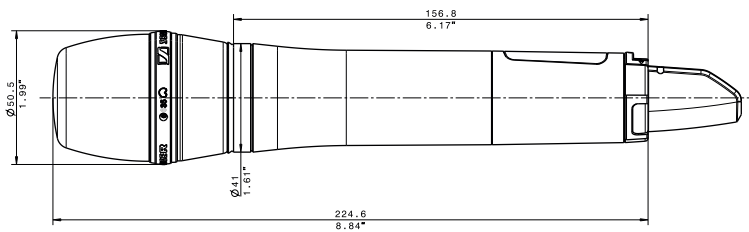
SK 500



EM 500 G3

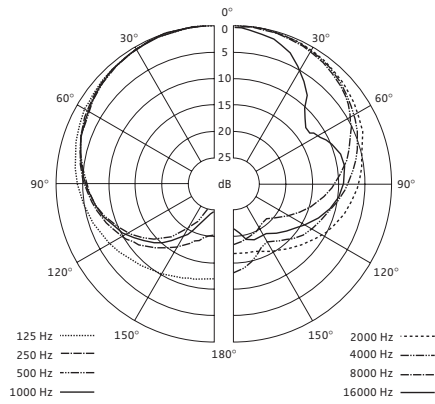


SKM 500

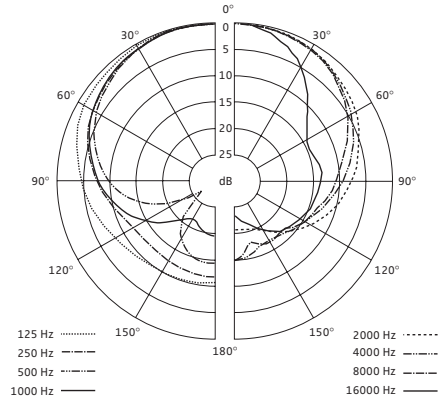


POLAR PATTERN

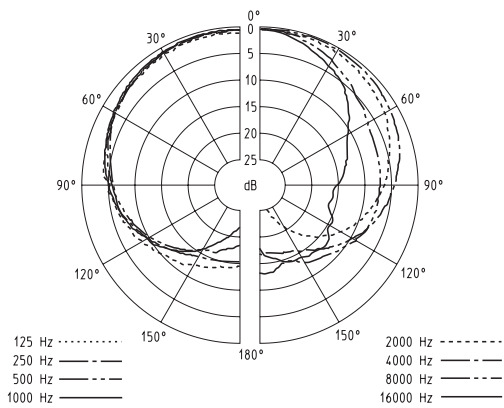
MMD 935-1



MMD 945-1

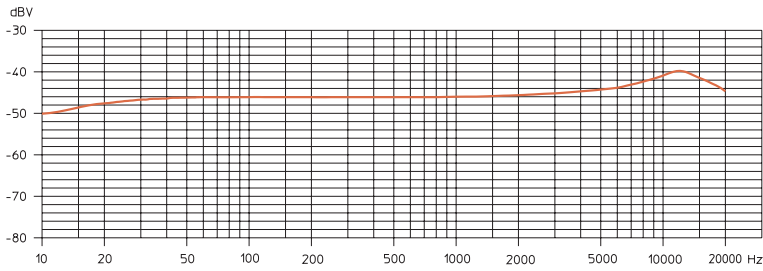


MMK 965-1

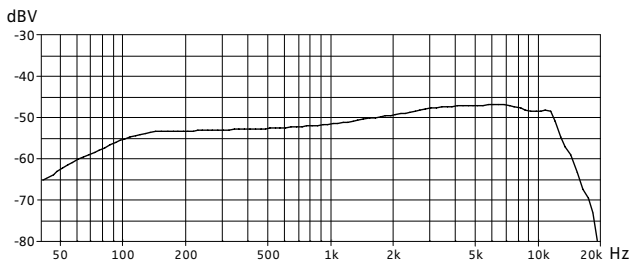


FREQUENCY RESPONSE

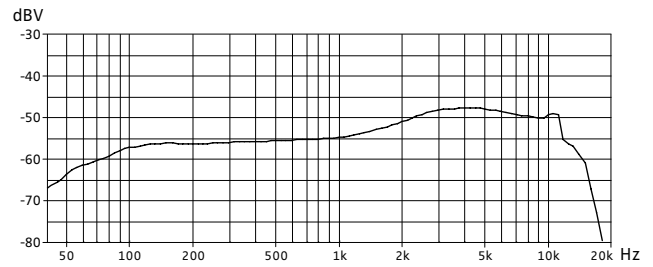
MKE 2



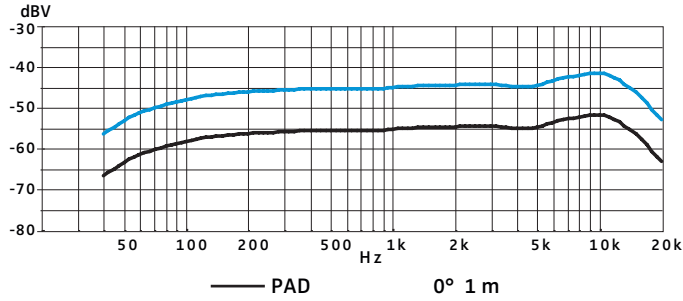
MMD 935-1



MMD 945-1



MMK 965-1



ew 500 Sets

PRODUCT VARIANTS

ew 512 G3 Presentation Set

		Cat. No.
ew 512 G3-A-EU	516...558 MHz	503119
ew 512 G3-A-US	516...558 MHz	503437
ew 512 G3-G-EU	566...608 MHz	503438
ew 512 G3-G-US	566...608 MHz	503439
ew 512 G3-B-EU	626...668 MHz	503440
ew 512 G3-B-US	626...668 MHz	503441
ew 512 G3-C-EU	734...776 MHz	503442
ew 512 G3-C-US	734...776 MHz	503443
ew 512 G3-D-EU	780...822 MHz	503444
ew 512 G3-D-EU-X	780...822 MHz	503445
ew 512 G3-D-UK	780...822 MHz	503446
ew 512 G3-E-EU	823...865 MHz	503447
ew 512 G3-E-EU-X	823...865 MHz	503448
ew 512 G3-E-UK	823...865 MHz	503449
ew 512 G3-GB	606...648 MHz	504656

ew 572 G3 Instrument Set

		Cat. No.
ew 572 G3-A-EU	516...558 MHz	503120
ew 572 G3-A-US	516...558 MHz	503452
ew 572 G3-G-EU	566...608 MHz	503453
ew 572 G3-G-US	566...608 MHz	503454
ew 572 G3-B-EU	626...668 MHz	503455
ew 572 G3-B-US	626...668 MHz	503456
ew 572 G3-C-EU	734...776 MHz	503457
ew 572 G3-C-US	734...776 MHz	503458
ew 572 G3-D-EU	780...822 MHz	503459
ew 572 G3-D-EU-X	780...822 MHz	503460
ew 572 G3-D-UK	780...822 MHz	503461
ew 572 G3-E-EU	823...865 MHz	503462
ew 572 G3-E-EU-X	823...865 MHz	503463
ew 572 G3-E-UK	823...865 MHz	503464
ew 572 G3-GB	606...648 MHz	504657

ew 500-935 G3 Vocal Set

		Cat. No.
ew 500-935 G3-A-EU	516...558 MHz	503121
ew 500-935 G3-A-US	516...558 MHz	503467
ew 500-935 G3-G-EU	566...608 MHz	503468
ew 500-935 G3-G-US	566...608 MHz	503469
ew 500-935 G3-B-EU	626...668 MHz	503470
ew 500-935 G3-B-US	626...668 MHz	503471
ew 500-935 G3-C-EU	734...776 MHz	503472
ew 500-935 G3-C-US	734...776 MHz	503473
ew 500-935 G3-D-EU	780...822 MHz	503474
ew 500-935 G3-D-EU-X	780...822 MHz	503475
ew 500-935 G3-D-UK	780...822 MHz	503476
ew 500-935 G3-E-EU	823...865 MHz	503477
ew 500-935 G3-E-EU-X	823...865 MHz	503478
ew 500-935 G3-E-UK	823...865 MHz	503479
ew 500-935 G3-GB	606...648 MHz	504658

ew 500-945 G3 Vocal Set

		Cat. No.
ew 500-945 G3-A-EU	516...558 MHz	503122
ew 500-945 G3-A-US	516...558 MHz	503482
ew 500-945 G3-G-EU	566...608 MHz	503483
ew 500-945 G3-G-US	566...608 MHz	503484
ew 500-945 G3-B-EU	626...668 MHz	503485
ew 500-945 G3-B-US	626...668 MHz	503486
ew 500-945 G3-C-EU	734...776 MHz	503487
ew 500-945 G3-C-US	734...776 MHz	503488
ew 500-945 G3-D-EU	780...822 MHz	503489
ew 500-945 G3-D-EU-X	780...822 MHz	503490
ew 500-945 G3-D-UK	780...822 MHz	503491
ew 500-945 G3-E-EU	823...865 MHz	503492
ew 500-945 G3-E-EU-X	823...865 MHz	503493
ew 500-945 G3-E-UK	823...865 MHz	503494
ew 500-945 G3-GB	606...648 MHz	504659

ew 500-965 G3 Vocal Set

		Cat. No.
ew 500-965 G3-A-EU	516...558 MHz	503123
ew 500-965 G3-A-US	516...558 MHz	503497
ew 500-965 G3-G-EU	566...608 MHz	503498
ew 500-965 G3-G-US	566...608 MHz	503499
ew 500-965 G3-B-EU	626...668 MHz	503500
ew 500-965 G3-B-US	626...668 MHz	503501
ew 500-965 G3-C-EU	734...776 MHz	503502
ew 500-965 G3-C-US	734...776 MHz	503503
ew 500-965 G3-D-EU	780...822 MHz	503504
ew 500-965 G3-D-EU-X	780...822 MHz	503505
ew 500-965 G3-D-UK	780...822 MHz	503506
ew 500-965 G3-E-EU	823...865 MHz	503507
ew 500-965 G3-E-EU-X	823...865 MHz	503508
ew 500-965 G3-E-UK	823...865 MHz	503509
ew 500-965 G3-GB	606...648 MHz	504660

ew 500 Sets

RECOMMENDED ACCESSORIES

	Cat. No.		Cat. No.
AM 2 – Antenna Mount kit	009912	HSP 4-ew-3 – Headworn microphone, cardioid, beige	009867
CC 3 – System Case	503168	HSP 2-ew – Headworn microphone, omni, black	009866
L 2015 – Charging unit	009928	HSP 2-ew-3 – Headworn microphone, omni, beige	009872
BA 2015 – Rechargeable battery pack	009950		
ASA 1 – Active antenna splitter	503165		
NT 1-1 – plug-in mains unit for ASA 1 & L 2015	EU: 503158 US: 503873 UK: 503874		
		ew 500-935 G3/ew 500-945 G3/ ew 500-965 G3 Vocal Sets	
NT 3-1 – Plug-in mains unit for L 2015	EU: 503159 US: 503876 UK: 503877	MMD 835-1 – evolution microphone head	502575
		MMD 845-1 – evolution microphone head	502576
		MME 865-1 – evolution microphone head	502581
A 1031-U – Antenna	004645	MZW 1 – Windshield	004839
A 2003-UHF – Directional Antenna	003658	KEN 2 – Identification rings	530195
AB 3 – Antenna booster	505550	LA 2 – Charging adapter for handheld microphones	503162
Ear Set 1-ew – Ear-worn microphone, omni, black	504232	CC 3 – System case	503168
Ear Set 1-ew-3 – Ear-worn microphone, omni, beige	504237		
Ear Set 4-ew – Ear-worn microphone, cardioid, black	504236		
Ear Set 4-ew-3 – Ear-worn microphone, cardioid, beige	504234		
MKE 1-ew – Clip-on microphone, omni-directional, black	502876		
MKE 1-ew-1 – Clip-on microphone, omni, white	502877		
MKE 1-ew-2 – Clip-on microphone, omni, brown	502878		
MKE 1-ew-3 – Clip-on microphone, beige	502879		
MKE 2-ew Gold – Clip-on microphone, omni, black	009831		
MKE 2-ew-3 Gold – Clip-on microphone, omni, beige	009832		
MKE 40-ew – Clip-on microphone, cardioid, black	500527		
HSP 4-ew – Headworn microphone, cardioid, black	009864		