

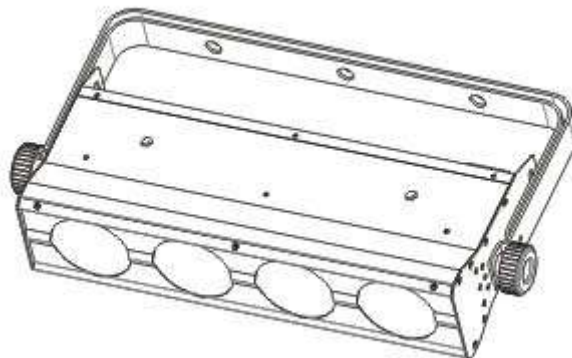
# MYLED-064A

## User Manual

Our COB light offers many possibilities to achieve very nice laser effects which you want. It is specially designed for the stages, disco, night clubs and etc. Please read the manual before operation.

### A. SPECIFICATION

1. Voltage: AC 110V/240V, 50Hz/60Hz
2. Power consumption: 60W
3. Current: 0.95A@110V, 0.4A@240V
4. LED: COB Tri-15W 4pcs LED
5. Beam angle: 55 degree
6. Operation mode: LED display
7. Working environment: -10~40°C
8. DMX channels: 2, 3, 5, 6, 12 CH
9. Working mode: DMX mode, master/slave mode, built-in programs mode, auto running mode, static color, sound-active mode
10. Lumen: R 135lux@2m  
G 150lux@2m  
B 170lux@2m  
RGB 450lux@2m
11. Power linking: 8pcs@110V, 18pcs@240V



### B. OPERATION

This series of product has rich effect programs, there are six working modes:

- Built-in programs mode
- Auto running mode
- Sound-active mode
- DMX mode
- Master-slave mode

·Static color

### 1. Built-in Programs Mode

- 1) Press the “MODE”, enter into built-in programs operation menu “Pr.01”;
- 2) Press the “UP” or “DOWN”, select the running programs effect “Pr.01-Pr.24”.
- 3) Press the “SETUP”, enter into the setting menu of programs running speed “SP.80”;
- 4) Press the “UP” or “DOWN”, set the speed value “SP.01-SP.FL (SP100)”.
- 5) Press the “SETUP”, enter into the setting menu of programs running strobe “F5.00”;
- 6) Press the “UP” or “DOWN”, set the strobe value “F5.00-F5.FL (FS100)”.

### 2. Auto Running Mode

- 1) Press the “MODE”, enter into auto running programs menu “AUTO”.
- 2) Press the “SETUP”, enter into the setting menu of auto running speed “SP.80”;
- 3) Press the “UP” or “DOWN”, set the speed value “SP.01-SP.FL (SP100)”.
- 4) Press the “SETUP”, enter into the setting menu of auto running strobe “F5.00”;
- 5) Press the “UP” or “DOWN”, set the strobe value “F5.00-F5.FL (FS100)”.
- 6) Press the “SETUP”, enter into the setting menu of auto running times “n001”;
- 7) Press the “UP” or “DOWN”, to set auto running times value “n001-n100”.

### 3. Sound-active Mode

- 1) Press the “MODE”, enter sound-active mode menu “SU20”;
- 2) Press the “UP” or “DOWN”, to set sound-active sensitivity “SU.00-SU.31”.

### 4. DMX Mode

- 1) Press the “MODE”, enter DMX mode menu “d.001”;
- 2) Press the “UP” or “DOWN”, to set the DMX address “d.001-d.512”.
- 3) Press the “SETUP”, enter into the setting menu of DMX working mode “2-ch”;
- 4) Press the “UP” or “DOWN”, to set the DMX working mode: “2-ch”, “3-ch”, “5-ch”, “6-ch”,  
“ ”

DMX mode 1: 2-ch

CH1			CH2
NO.	Value	FUNCTION	
1	0	OFF	--
2	1—7	R	
3	8—15	RG	
4	16—23	G	
5	24—31	GB	
6	32—39	B	
7	40—47	RB	
8	48—55	RGB	
9	56—63	PROGRAM01	SPEED
10	64—71	PROGRAM02	0—255

11	72—79	PROGRAM03		
12	80—87	PROGRAM04		
13	88—95	PROGRAM05		
14	96—103	PROGRAM06		
15	104—111	PROGRAM07		
16	112—119	PROGRAM08		
17	120—127	PROGRAM09		
18	128--135	PROGRAM10		
19	136—143	PROGRAM11		
20	144—151	PROGRAM12		
21	152—159	PROGRAM13		
22	160—167	PROGRAM14		
23	168—175	PROGRAM15		
24	176—183	PROGRAM16		
25	184—191	PROGRAM17		
26	192—199	PROGRAM18		
27	200--207	PROGRAM19		
28	208—215	PROGRAM20		
29	216—223	PROGRAM21		
30	224—131	PROGRAM22		
31	232—239	PROGRAM23		
32	240—247	PROGRAM24		
33	248—255	SOUND		Sensitivity 0—255

DMX mode 2: **3-ch**

CH1	CH2	CH3
Red	Green	Blue

DMX mode 3: **5-ch**

CH1	CH2	CH3	CH4	CH5
Red 0-255	Green 0-255	Blue 0-255	Dim 0-255	Flash 0-255

DMX mode 4: **6-ch**

CH1	CH2	CH3	CH4	CH5	CH6
Red 1	Green 1	Blue 1	Red 2	Green 2	Blue 2

DMX mode 5:

CH1	CH2	CH3	CH4	CH5	CH6
Red 1	Green 1	Blue 1	Red 2	Green 2	Blue 2
CH7	CH8	CH9	CH10	CH11	CH12
Red 3	Green 3	Blue 3	Red 4	Green 4	Blue 4

## 5. Master-slave Mode

Press the “MODE”, enter into master-slave mode “SLAv”.

## 6. Static Color Mode

- 1) Press the “MODE”, enter into static color mode “clor”.
- 2) Press the “SETUP”, enter into the settings menu or red brightness “r255”;
- 3) Press the “UP” or “DOWN”, to set the red brightness value “r000 – r255”.
- 4) Press the “SETUP”, enter into the setting menu of green brightness “G255”;
- 5) Press the “UP” or “DOWN”, to set the green brightness value “G000 - G255”.
- 6) Press the “SETUP”, enter into the setting menu of blue brightness “b255”;
- 7) Press the “UP” or “DOWN”, to set the blue brightness value “b000- b255”.

**NOTE:** If no operation in 20s, the LED display will darken (no display); when in this state, press down any button, will display the current state; when in display state, can adjust the operation mode or operating state.