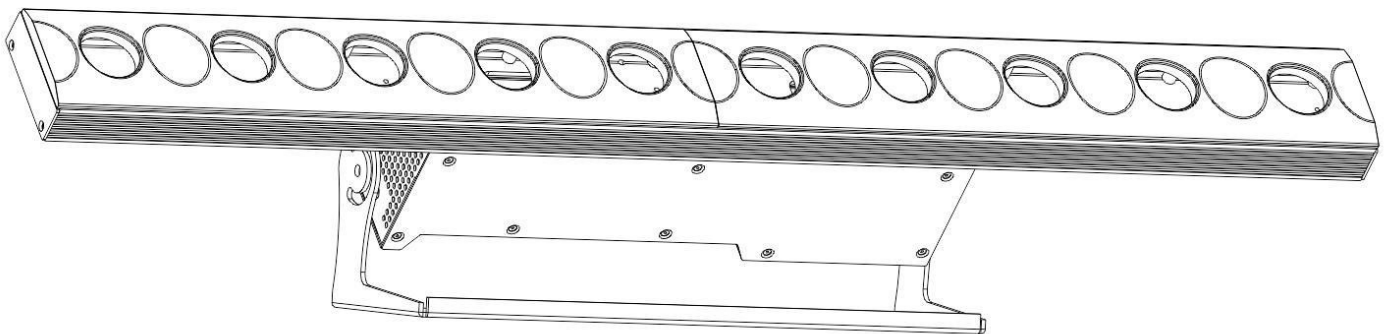


# INVOLIGHT

## LED 2in1 Blinder Bar User Manual



Thanks for choosing our goods please read this manual carefully before  
your operating and keep this manual for future needs

Thank you for purchasing LED 2in1 Blinder Bar, every unit has been thoroughly tested and has been shipped in perfect operating condition. Carefully check the shipping carton for damage that may have occurred during shipping. If the carton appears to be damaged, carefully inspect your fixture for any damage and be sure all accessories necessary to operate the unit has arrived intact. In the case damage has been found or parts are missing, please contact the manufacturer or your dealer for further instructions. You now own a professional lighting unit that offers endless possibilities.

For your own safety and that of others, please read this instruction manual carefully before installing the unit.

Anyone involved in installing, operating or servicing the LED 2in1 Blinder

- Bar must:
- **Be a qualified, authorized professional**
  - **Strictly follow the instructions in this user manual.**

Please take the time to read this manual carefully and thoroughly before installing and operating the luminaire. You should have a good knowledge of its operating conditions and all pertinent product information.

After you have become familiar with this manual, we recommend that you keep a copy for future use. All the information found in this manual

is subject to change without notice. We reserve the right to modify and upgrade its range of products, with no obligation to integrate these changes into products already sold.

## **Warning**

- To prevent or reduce the risk of electrical shock or fire, do not expose the unit to rain or moisture.
- Do not open the unit within five minutes after switching off.
- Please consider that damages caused by manual modifications to the device are not subject to warranty.

## **Installation**

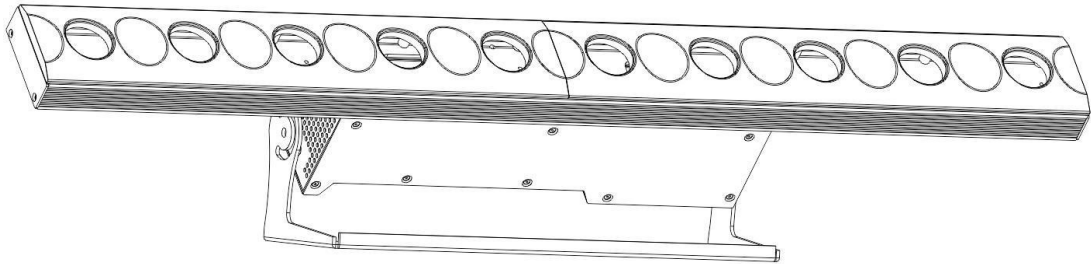
The unit should be mounted via its screw holes on the bracket. Always ensure that the unit is firmly fixed to avoid vibration and slipping while operating. And make sure that the structure to which you are attaching the unit is secure and is able to support a weight of 10 times of the unit's weight. Also always use a safety cable that can hold 12 times of the weight of the unit when installing the fixture.

The equipment must be fixed by professionals. And it must be fixed at a place where is out of the touch of people and has no one pass by or under it.

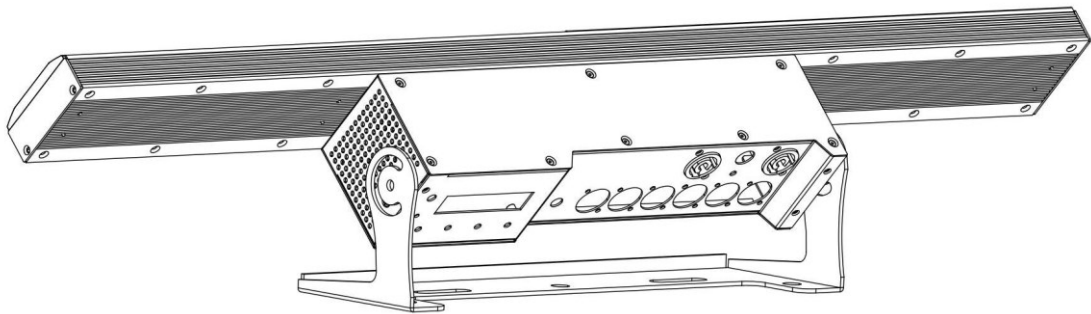
## **Specifications and Features:**

- LEDs: 10pcs 3W CREE LEDs, 60pcs 5050SMD RGB LEDs
- Power Consumption:50W
- DMX Channels: 190 DMX Channels
- Refresh Rate: 500Hz
- Power: 6V 13.3A
- 4 DMX Channels Mode: 9CH,15CH,42CH,190CH
- Control Protocol: Art-net, Kling-net, DMX
- Support RDM
- Front cover color: White and black
- Each LED can pixel control, can create fabulous image effects.
- XLR Connectors: 3pin&5pin XLR Connector
- Powercon in/out, Ethernet in/out
- Work mode: Auto, Sound, DMX, Artnet
- With handle and safe
- Power input:110~240V,50/60Hz
- Power Consumption:50W
- Size: 78x8x11cm
- Net Weight: 3.2KG

## Product View

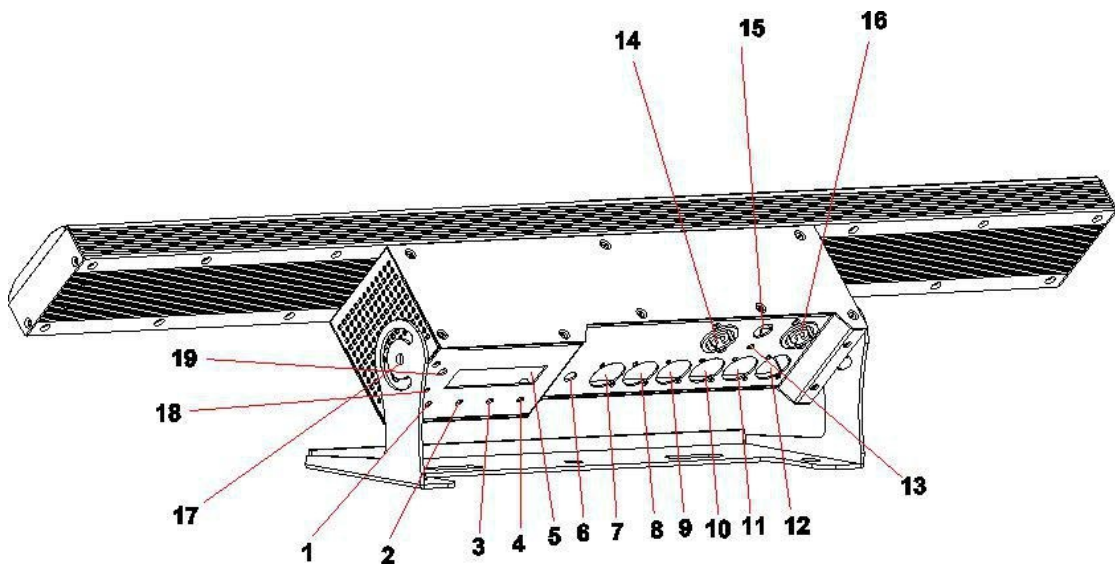


**(Front)**



**(Back)**

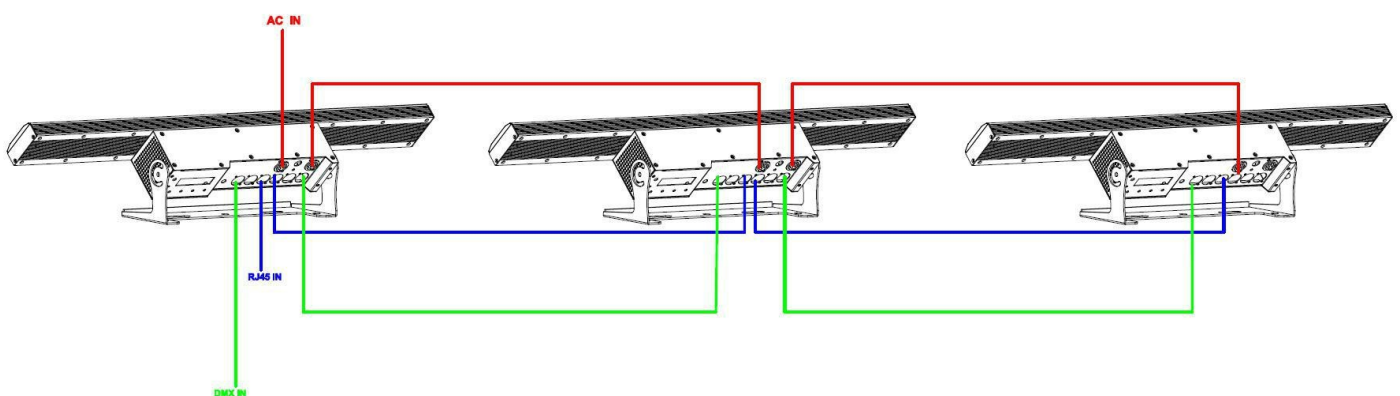
## Product Description



- 1: Menu
- 2:Enter

- 3: Up
- 4:Down
- 5:Display
- 6:Safety loop
- 7:3pin DMX Out
- 8:5pin DMX Out
- 9:Ethernet In
- 10:Ethernet out
- 11:3pin DMX In
- 12:5pin DMX In
- 13:Ground
- 14:Powercon In
- 15:Fuse
- 16:Powercon Out
- 17:Handle screw
- 18:MIC
- 19:Signal

### Connection



**DMX Channel function and values:**

**9 DMX Channels:**

CH1	Dimmer
CH2	Strobe
CH3	Red
CH4	Green
CH5	Blue
CH6	Warm White Dimmer
CH7	Program 1~15
CH8	Program 16~30 238~255 Loop program
CH9	Program Speed

**15 DMX Channels:**

CH1	Dimmer
CH2	Strobe
CH3	Warm White 1 Dimmer
CH4	Warm White 2 Dimmer
CH5	Warm White 3 Dimmer
CH6	Warm White 4 Dimmer
CH7	Warm White 5 Dimmer
CH8	Warm White 6 Dimmer

CH9	Warm White 7 Dimmer
CH10	Warm White 8 Dimmer
CH11	Warm White 9 Dimmer
CH12	Warm White 10 Dimmer
CH13	All 5050 Red
CH14	All 5050 Green
CH15	All 5050 Blue

**42 DMX Channels:**

CH1	Dimmer
CH2	Strobe
CH3	Warm White 1 Dimmer
CH4	Warm White 2 Dimmer
CH5	Warm White 3 Dimmer
CH6	Warm White 4 Dimmer
CH7	Warm White 5 Dimmer
CH8	Warm White 6 Dimmer
CH9	Warm White 7 Dimmer
CH10	Warm White 8 Dimmer
CH11	Warm White 9 Dimmer
CH12	Warm White 10 Dimmer
CH13	Red square 1



CH14	Green square 1
CH15	Blue square 1
CH16	Red square 2
CH17	Green square 2
CH18	Blue square 2
.....	
CH40	Red square 10
CH41	Green square 10
CH42	Blue square 10

**190 DMX Channels:**

CH1	Red 1
CH2	Green 1
CH3	Blue 1
CH4	Red2
CH5	Green 2
CH6	Blue 2
CH7	Red 3
CH8	Green 3
CH9	Blue 3
CH10	Red 4
CH11	Green 4

CH12	Blue 4
CH13	Red5
.....	
CH177	RED 60

**190 DMX Channels:**

CH1	Red 1
CH2	Green 1
CH3	Blue 1
CH4	Red2
CH5	Green 2
CH6	Blue 2
CH7	Red 3
CH8	Green 3
CH9	Blue 3
CH10	Red 4
CH11	Green 4
CH12	Blue 4
CH13	Red5
.....	
CH177	RED 60
CH178	Green 60
CH179	Blue 60

CH180	Warm White 1
CH181	Warm White 2
CH182	Warm White 3
CH183	Warm White 4
CH184	Warm White 5
CH185	Warm White 6
CH186	Warm White 7
CH187	Warm White 8
CH189	Warm White 9
CH190	Warm White 10

## Troubleshooting

Following are a few common problems that may occur during operation. Here are some suggestions for easy troubleshooting:

1. The unit does not work, no light and the fan does not work
  - a. check the connection of power and main fuse.
  - b. Measure the mains voltage on the main connector.
  - c. Check the power on Led.
2. Not responding to DMX controller
  - a. DMX LED should be on. If not, check DMX connectors, cables to see if link properly.

- b. If the DMX LED is on and no response to the channel, check the address settings and DMX polarity.
- c. If you have intermittent DMX signal problems, check the pins on connectors or on PCB of the unit or the previous one.
- d. Try to use another DMX controller.
- e. Check if the DMX cables run near or run alongside to high voltage cables that may cause damage or interference to DMX interface circuit.

### 3. Some units don't respond to the easy controller

- a. You may have a break in the DMX cabling. Check the LED for the response of the master/slave mode signal.
- b. Wrong DMX address in the unit. Set the proper address.

### 4. One of the channels is not working well

- a. The stepper motor might be damaged or the cable connected to the PCB is broken.
- b. The motor's drive IC on the PCB might be out of condition

### 5. Fixture Cleaning

The cleaning of internal and external optical lenses and/or mirrors must be carried out periodically to optimize light output. Cleaning frequency depends on the environment in which the fixture operates: damp, smoky or particularly dirty surrounding can cause greater accumulation of dirt on the unit's optics.

- a. Clean with soft cloth using normal glass cleaning fluid.
- b. Always dry the parts carefully.

## **Warranty**

The LED 2in1 Blinder Bar fixture is guaranteed against manufacturing defects for the duration of one (1) year from the date of purchase.

This warranty does not cover the unit for evidence of physical shock or damage caused by abuse or any use not in accordance with the operating conditions set forth in the present user manual.

In addition, cosmetic defects caused by the normal wear and tear of the unit are not covered under the warranty.

Any modification to the fixture will void the warranty. We cannot under any circumstances be held liable for quality and conformity regarding the installation of this product, which is the responsibility of the installer. The device and before use, may be covered by the warranty.

The manufacturer is not responsible for any errors or omissions that may occur in this document. All information contained in this manual is subject to change without notice.

The logo for INVOLIGHT features the word "INVOLIGHT" in a bold, black, sans-serif font. The letter "O" is replaced by a stylized graphic consisting of a solid green circle on the left, a white crescent shape in the middle, and a black crescent shape on the right, all contained within a larger black circular outline.