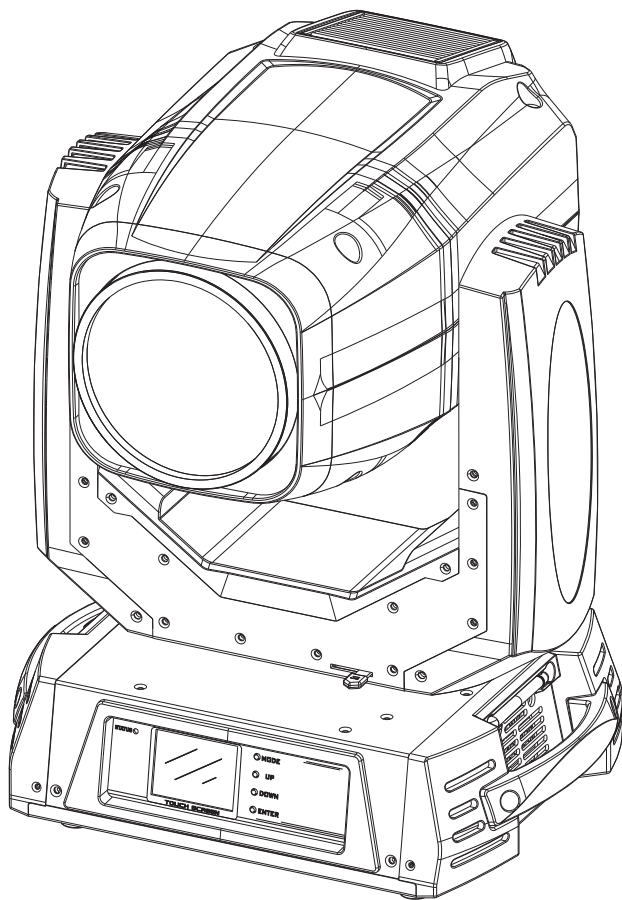


# TRINITY PLUS

## USER MANUAL



CE

INVOLIGHT



## Table of content

1.Open–Package guidelines.....	1
1.1 Package.....	1
2.Safety instructions.....	1
3.Operating determinations.....	3
4.Rigging the fixture.....	4
4.1 Mounting.....	4
4.2Installing the Clamps.....	4
4.3 Power supply connection and cut off.....	5
4.4 Power Connection.....	6
4.5 DMX–512 connection/connection between fixtures.....	6
5.Description of the device.....	7
6.Dimension.....	8
7.Display control.....	9
7.1 Navigation in the Menu.....	9
7.2 Display Operation.....	9
7.3 Menu Maps.....	11
8.DMX protocol.....	12
9.Maintance and cleaning.....	16
10.Electric equipment specification.....	17
10.1 Electrical paramters.....	17
10.2 Weight and dimensions.....	17
10.3 Channel Characteristics.....	17
10.4 Menu Function.....	17
10.5 light table.....	18
10.6 Color wheel.....	19
10.7 Gobo wheel.....	19
11.Electronic drawing.....	21

Congratulations on choosing our products! Please carefully read this instruction manual in its entirety and keep it well for using reference. This manual contained about the installation and the relative using information of this products. Please refer to this manual's relative instruction when using this equipment.

## 1.Open–Package guidelines

This equipment is made of new style,high intensity plastic.It fully shows the modem times light charac teristic with teristic with beauty struture. And it is made accord to CE standard. Fully agree with the internation standard of DMX512 agreement.

When receive the product,please be careful to take and put,check if the product has damage or not because of transportation, and check the following parts:

- |                    |                     |
|--------------------|---------------------|
| 1.Signal cable-1PC | 2.Safaty cable-1PC  |
| 3.User Manval-1PC  | 4.Omega holder-2PCS |
| 5.Power cable-1PC  | 5.Service card-1PC  |

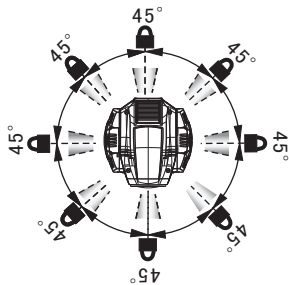
### 1.1 Package

Unpacking the fixture

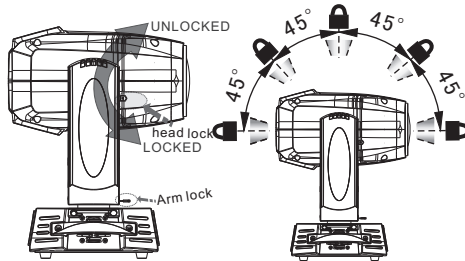
- 1.Open the flight case cove.
- 2.With one person on each side, lift the fixture out of the flight case.
- 3.Unlock pan and tilt before operating fixture.

Packing the fixture

- 1.Disconnect the fixture from power and allow it to cool.
- 2.lock arms and head as figure.- Fig.1(PAN Mechanism Lock and Release (every 45°) - Fig.1-1)(Tilt Mechanism Lock and Release (every 45°) - Fig.1-2)
- 3.Place the fix ture in the bottom of the flight case, and cover the case without forcing.



PAN Mechanism Lock Fig.1-1



Level vertical transportation lock Fig.1

Tilt Mechanism Lock Fig.1-2

## 2.Safety instructions

Every person involvd with installation and maintenance of this device to:

- Be qualified
- Follow the instructions of this manual.

**CAUTION!**

*Be careful with your operations.  
With a high voltage you can suffer  
a dangerous electric shock when touching the wires!*

This device has been shipped with our premises in absolutely perfect condition.In order to maintain this condition and toensure a safe operation,it is absolutely necessary for the user to follow the safety instructions and warning notes written in this manual.

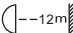
**Important:**

- The manufacturer will not accept liability for any resulting damages caused by the nonobservance of this manual or any unauthorized modification to the device.
- Please consider that damages caused by manual modifications to the device are not subject to warranty.

- Never let the power-cord come into contact with other cables! Handle the power cord and all connections with particular caution!
- Make sure that the available voltage is not higher than stated on the rearpanel.
- Always plug in the power plug least. Make sure that the power-switch is set to off-position before you connect with themains with particular caution!
- Make sure that the power-cord is never crimped or damaged by sharp edges. Check the device and the power-cord from time to time.
- Always disconnect from the mains, when the device is not in use or before cleaning it.
- Only handle the power-cord by the plug, Never pull out the plug by tugging the powercord.
- This device falls under protection class I. Therefore it is essential to connect the yellow/green conductor to earth.
- The electric connection, repairs and servicing must be carried out by a qualified employee.
- Do not connect this device to a dimmer pack.
- Do not switch the fixture on and off in short intervals as this would reduce the lamp's life.
- Do not touch the device's housing bare hands during its operation (housing becomes hot)!
- For replacement use lamps and fuses of same type and rating only.




## Eye damage!

**Avoid looking directly into the light source (meant especially for epileptics)!**




- 
  - **Minimum distance of illuminated objects**  
The projector needs to be positioned so that the objects hit by the beam of light are at least 12 metres from the lens of the projector.
- $t_a$  40°C

  - **Maximum ambient temperature**  
Do not operate the fixture if the ambient temperature ( $T_a$ ) exceeds 40°C (104°F).
- $t_c$  80°C

  - **Temperature of the external surface**  
The maximum temperature that can be reached on the external surface of the fitting, in a thermally steady state, is 80°C (176°F).
- IP20

  - **IP20 protection rating**  
The fitting is protected against penetration by solid of over 12mm (0.47") in diameter (first digit 2), but not against dripping water, rain, splashes or jets of water (second digit 0).
- 
  - **Indoor use only**
- 
  - **Not suitable for household illumination**
- 

Risk Group 1  
According to  
EN62471

  - **Photobiological Safety**  
CAUTION. Do not look directly at the light source. Do not look at the light beam with optical devices or any other tool that could cause light convergence.  
The fixture must be positioned so that the minimum distance between the front lens and human eye is at least 3 metres to prevent personal photobiological risks.
- 
  - **Mounting surfaces**  
It is permissible to mount the fitting on normally flammable surfaces.
- 
  - **The products to which this manual refers comply with the European Directives pursuant to:**
    - 2006/95/EC - Safety of electrical equipment supplied at low voltage (LVD)
    - 2004/108/EC - Electromagnetic Compatibility (EMC)
    - 2011/65/EU - Restriction of the use of certain hazardous substances (RoHS)
    - 2009/125/EC - EcoDesign requirements for Energy-related Products (ErP)
- 
  - **Protection against electrical shock**  
Connection must be made to a power supply system fitted with efficient earthing (Class I appliance according to standard EN 60598-1). It is, moreover, recommended to protect the supply

lines of the projectors from indirect contact and/or shorting to earth by using appropriately sized residual current devices.



➤ **Disposing**

This product is supplied in compliance with European Directive 2012/19/EU-Waste Electrical and Electronic Equipment (WEEE) . To preserve the environment please dispose/recycle this product at the end of its life according to the local regulation.



➤ **Battery**

This product contains a rechargeable lead-acid or lithium iron tetraphosphate battery. To preserve the environment, please dispose the battery at the end of its life according to the regulation in force.



➤ **Lamp**

The fitting mounts a high-pressure lamp that needs an external igniter. This igniter is fitted onto the apparatus. -Carefully read the "operating instructions" provided by the lamp manufacturer. -Immediately replace the lamp if damaged or deformed by heat.



➤ **Maintenance**

Before starting any maintenance work or cleaning the projector, cut off power from the mains supply. After switching off, do not remove any parts of the fitting for at least 10 minutes. After this time the likelihood of the lamp exploding is virtually small. If it is necessary to replace the lamp, wait for another 15 minutes to avoid getting burnt. The fitting is designed to hold in any splinters produced by a lamp exploding.

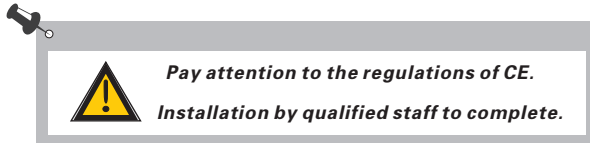


### 3. Operating determinations

- This device is a moving-head for creating decorative effects and was designed for indoor use only.
- If the device has been exposed to drastic temperature fluctuation (e.g. after transportation), do not switch it on immediately. The arising condensation water might damage your device. Leave the device switched off until it has reached room temperature.
- Never run the device without lamp!
- Do not shake the device, Avoid brute force when installing or operating the device.
- Never lift the fixture by holding it at the projectorhead, as the mechanics may be damaged. Always hold the fixture at the transport handles.
- When choosing the installation-spot, please make sure that the device is not exposed to heat, moisture or dust. There should not be any cables lying around. You endanger your own and the safety of others!
- The minimum distance between light output and the illuminated surface must be more than 0.2 meters.
- Make sure that the area below the installation place is blocked when rigging, derigging or servicing the fixture.
- Always fix the fixture with an appropriate safety rope, Fix the safety rope at the correct holes only.
- Operate the fixture after having checked that the housing is firmly closed and all screws are tightly fastened.
- The lamp must never be ignited if the objective-lens or any housing-cover is open, as discharge lamps may explode and emit a high ultraviolet radiation, which may cause burns.
- The maximum ambient temperature 40° C must never be exceeded.
- Operate the device only after having familiarized with its functions. Do not permit operation by persons not qualified for operating the device. Most damages are the result of unprofessional operation!
- Please use the original packaging if the device is to be transported.
- Please consider that unauthorized modifications on the device are forbidden due to safety reasons!
- If this device will be operated in any way different to the one described in this manual, the product may suffer damages and the guarantee becomes void. Furthermore, any other operation may lead to dangers like short-circuit, burns, electric shock, burns due to ultraviolet radiation, lamp explosion, crash etc.

## 4. Rigging the fixture

### 4.1 Mounting



- ☞ For the various mounting positions of the FIXTURE (standing on the floor, sideways or hanging different accessories kits are available.
- ☞ Through this a safe and firm installation is assured.
- ☞ You'll find special connectors on the bottom side of the system which are put to use here.

### 4.2 Installing the Clamps

Please consider the respective national norms during the Installation! The installation must only be carried out by an authorized dealer!

The installation of the projector has to be built and constructed in a way that it can hold 10 times the weight for 1 hour without any harming deformation.

The installation must always be secured with a secondary safety attachment, e.g. an appropriate catch net. This secondary safety attachment must be constructed in a way that no part of the installation can fall if the main attachment fails.

When servicing the fixture staying in the area below the installation place, on bridges, under high working places and other endangered areas is forbidden.

The operator has to make sure that safety-relating and machine-technical installations are approved by an expert before taking into operation for the first time and after changes before taking into operation another time.

The operator has to make sure that safety-relating and machine-technical installations are approved by an expert after every four year in the course of an acceptance test.

The operator has to make sure that safety-relating and machine-technical installations are approved by a skilled person once a year.

The projector should be installed outside areas where persons may walk by or be seated.

**Important!** Overhead rigging requires extensive experience CE, including (but not limited to) calculating working load limits, installation material being used, and periodic safety inspection of all installation material and the projector. If you lack these qualifications, do not attempt the installation yourself, but instead use a professional structural rigger. Improper installation can result in bodily injury and or damage to property.

The projector has to be installed out of the reach of people.

If the projector shall be lowered from the ceiling or high joists, professional trussing systems have to be used. The projector must never be fixed swinging freely in the room.

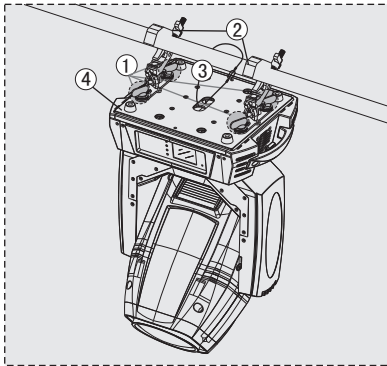
**Caution** Projectors may cause severe injuries when crashing down! If you have doubts concerning the safety of a possible installation, do not install the projector!

Before rigging make sure that the installation area can hold a minimum point load of 10 times the projector's weight.



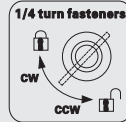
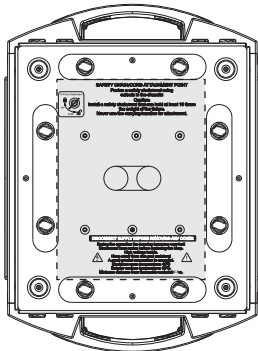
The projector can be placed directly on the stage floor or rigged in any orientation on a truss without altering its operation characteristics.

For overhead use, always install a safety-rope that can hold at least 10 times the weight of the fixture. You must only use safety-ropes with screw on carabines. Pull the safety-rope through the two apertures on the bottom of the base and over the trussing system etc.



**Warning:** it is necessary to make sure that the installation location is perfectly appropriate, and the installation location is safe and reliable.

- |   |                |
|---|----------------|
| ① | Lock catch     |
| ② | omega holder   |
| ③ | secure chain   |
| ④ | mounting plate |



**SAFETY CHAIN/CORD ATTACHMENT POINT**

Fasten a safety chain/cord using cutouts in the chassis!

Caution:

Install a safety chain/cord that can hold at least 10 times the weight of the fixture.  
Never use the carrying handles for attachment.

**DISCONNECT SUPPLY BEFORE REMOVING ANY COVER**

During the operation the housing becomes very hot!  
Disconnect from mains before replacing the lamp.  
High voltage inside.



Keep away from rain and moisture!  
A good ground connection is essential.  
Maximum room temperature: 40°C  
Exterior surface temperature: 80°C  
Minimum distance from flammable material: 0.8m.

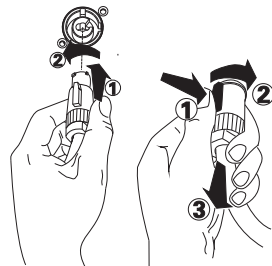


**4.3 Power supply connection and cut off**

Connect the light source to the main power source with the plug of the power cord, or cut off the power supply:

Connection: according to procedures, the power plug and socket is inserted into the groove one one alignment, rotation.

Cut off: according to procedures, press the button on the rotating plug, pull out.



**4.4 Power Connection**

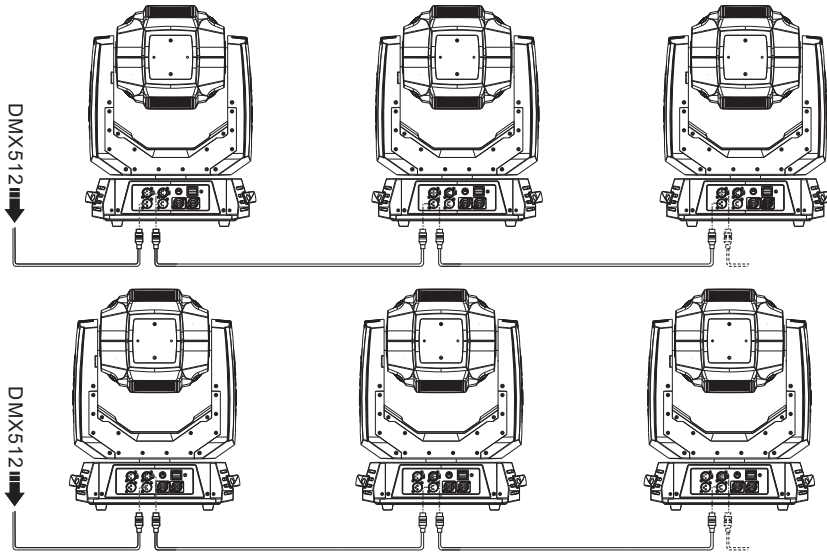
If you wish to change the power supply settings, see the chapter appendix Connect the fixture to the mains with the enclosed power cable and plug.

**Warning:** please verify the power of the power supply equipment prior to the connection! Earth wire must be grounded!

CABLE(EU)	CABLE(US)	Pin	INTERNATIONAL
Brown	Black	Live	<b>L</b>
Light blue	White	Neutral	<b>N</b>
Yellow/Green	Green	Earth	<b>⊕</b>

**4.5 DMX-512 connection/connection between fixtures**

Only use stereo shielded cable and 3-pin XLR-plugs and connectors in order to connect.



**Caution**

At the last fixture, the DMX-cable has to be terminated with a terminator. solder a 120 resistor between signal(-) and Signal (+) into a 3-pin XLR-plug and plug it in the DMX-output of the last fixture.

DMX output 3-pin XLR socket      DMX input 3-pin XLR socket

DMX output 5-pin XLR socket      DMX input 5-pin XLR socket



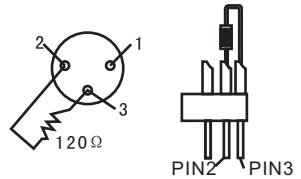
- 1: Ground
- 2: Signal (-)
- 3: Signal (+)



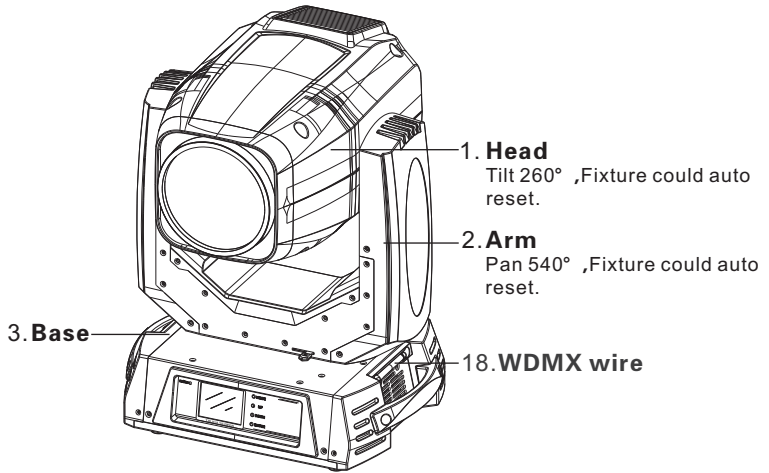
- 1: Ground
- 2: Signal (-)
- 3: Signal (+)
- 4: N. A.
- 5: N. A.

**DMX Terminator Diagram**

-For installations where the DMX cable has to run a long distance or is in an electrically noisy environment it is recommended to use a DMX terminator. This helps in preventing corruption of the signal by electrical noise. The DMX terminator is simply an XLR plug with a 120Ω resistor connected between pins 2 and pins 3, which is then plugged into the output XLR socket of the last fixture in the chain.

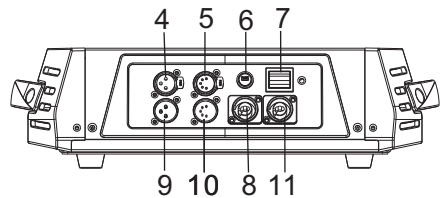


**5. Description of the device**



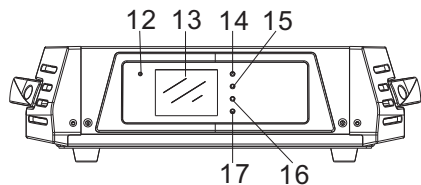
**BACK PANEL**

- 4. 3-pin XLR female
- 5. 5-pin XLR female
- 6. Main Fuse
- 7. Power switch
- 8. Power-in
- 9. 3-pin XLR male
- 10. 5-pin XLR male
- 11. Power-out

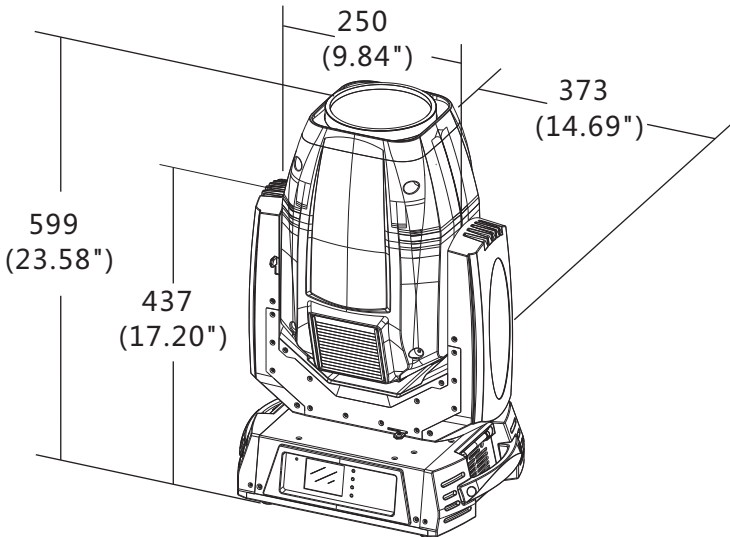
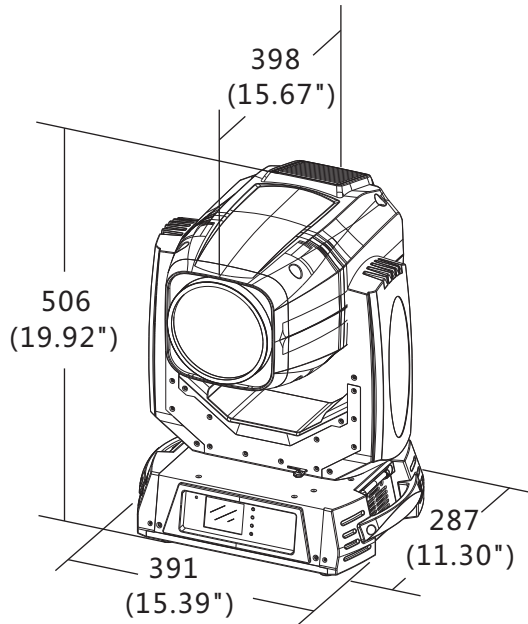


**CINTROL PANEL**

- 12. Status indicator lamp
- 13. Touch screen(LCD display)
- 14. MODE button
- 15. UP button
- 16. DOWN button
- 17. ENTER button
- 18. WDMX Wire



**6.Dimension**



## 7.Display control

### 7.1 Navigation in the Menu

Using the buttons or touch screen, and this can be simply and easily set the address code and functions code.

If you view or modify the lighting feature set, then press ENTER button, the display will enter the menu interface. Both there is sub menu corresponding to the functional operation of the main menu. Each of the menus is representative of the specific features of the lamp. The specific contents shows as the table menu below.

Set or browse lighting function, press UP or DOWN button.

Press ENTER to save your changes or enter the submenu. Press the UP or DOWN can change the numerical (increase or decrease in value).

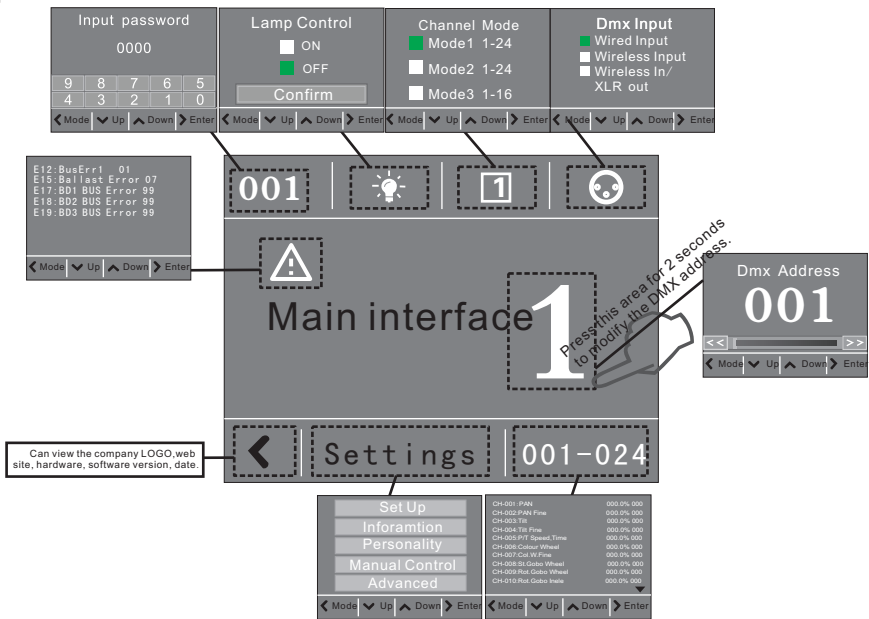
Press the MODE button to return to menu. Set a time 0 to 10 minutes automatically exit menu interface and close the screen.

### 7.2 Display Operation

Put through power supply, open the power switch of lamps and lanterns, display show the company LOGO website. According to the main interface, as shown in figure:

In the main interface, press "MODE" button to view the software version, press the "UP" "DOWN" can modify the DMX address.

If the screen "⊕" icon is green, said DMX signal connection is normal, this state can be used to check the lamps and lanterns and connection between the control table is normal.



menu interface

This lamp can be set to turn off the automatic flip screen function, touch this "⊕" icon can be manually flip screen.

Click on the main interface of the icon, numerical to view view Settings related information of lamps and lanterns. Symbols such as the main interface appear "Δ", the following error message indicates that there might be a lamps and lanterns, can click to view and control information content to modify the lamps and lanterns.

CODE #	ERRO INFO	CHECK MEASUREMENT	NOTE
E001	SpiFlashError	Check the welding of memory IC	
E002	BD1Init Error	Check main cable ABAB ( 485 ) chip	RESET ERROR
E003	BD2Init Error		
E004	BD3Init Error		
E005	Mcu Bus Err		
E006	LAMP Err		
E007	BD1 BUS Error		
E008	BD2 BUS Error		
E009	BD3 BUS Error		
E010	Pan FB. Err	Check the light coupling line, optical coupling switch and a plate of the relative position measurement	
E012	Pan Zero Err		
E011	Tilt FB. Err	Check cable of sensor, distance and location of ,magnets and sensor	
E013	Tilt Zero Err		
E014	Prism1 Err		
E015	Prism1 Rt Err		
E016	Prism2 Err1		
E017	R.Gobo Err		
E018	R.Gobo Rr Err		
E019	Zoom Err		
E020	Focus Err		
E021	St.Gobo Err		
E022	ColourW. Err		
E023	B.Fan1Error	Check whether the bottom fan 1 is working normally	
E024	B.Fan2Error	Check whether the bottom fan 2 is working normally	
E025	L60 Fan Error	Check if the blowing machine of lamp holder is working(Near Lamphouse)	
E026	GoboFan Error	Check if the blowing machine of lamp holder is working(Near Rotating gobo wheel)	
E027	L80 Fan Error	Check if the fan(80) of the lamp holder is working	
E028	L90 Fan Error	Check if the fan(90) of the lamp holder is working	

### 7.3 Menu Maps

<b>Set up</b>	<b>Dmx Address</b>	001~XXX	<b>Dmx Address</b>
	<b>Channel Mode</b>	Mode1 1~24	default Mode1
		Mode2 1~24	
Mode3 1~16			
<b>Fixture Id</b>	0001~XXXX	<b>Lamps address</b>	
<b>Information</b>	<b>Fixture Times</b>	XXXXXX h XX m	<b>Total working hours</b>
	<b>Lamp Times</b>	Lamp On Times XXXXh XXm	<b>Lamp On working hours</b>
		Lamp Strike XXXX	<b>Lamp Strike</b>
		Reset Lamp Time	<b>Reset Lamp Time</b>
	<b>Error List</b>		<b>Error details</b>
	<b>Diagnosis</b>	BOARD 1: XX.XX%	<b>Diagnosis</b>
		BOARD 2: XX.XX%	
BOARD 3: XX.XX%			
<b>Fans Monitor</b>		<b>Fans Monitor</b>	
<b>DMX Values</b>		<b>DMX Values</b>	
<b>Personality</b>	<b>Lamp</b>	Power ON Light ON/OFF	<b>Power ON Light (default OFF)</b>
		Lamp On By DMX ON/OFF	<b>Lamp On By DMX (default ON)</b>
		Lamp ON Delay 0~60m	<b>Lamp ON Delay (default 0m)</b>
	<b>Pan/Tilt</b>	Pan Reverse ON/OFF	<b>Pan Reverse (default OFF)</b>
		Tilt Reverse ON/OFF	<b>Tilt Reverse (default OFF)</b>
		Feedback ON/OFF	<b>Pan/Tilt Auto Switch (default ON)</b>
	<b>Dmx Input</b>	Wired Input	<b>Wired Input (default)</b>
		Wireless Input	<b>Wireless Input</b>
		Wireless In/XLR out	<b>Wireless In/XLR out</b>
	<b>Screen</b>	Brightness	<b>Brightness</b>
		Screen Time out 0~10m	<b>Screen Time out</b>
		Touch Screen ON/OFF	<b>Touch Screen (default OFF)</b>
Auto Screen ON/OFF		<b>Auto Screen (default ON)</b>	
<b>Manusl Control</b>	<b>Lamp</b>	Lamp Control ON/OFF	<b>Lamp Control (default OFF)</b>
		Confirm	<b>Confirm</b>
	<b>Reset</b>	Reset ALL	
		Reset Pan/Tilt	
		Reset Colour	
Reset Gobo			
<b>Reset Other</b>			
<b>Channel</b>		<b>Chanel Testing</b>	
<b>Advanced</b>	<b>Calibration</b>		<b>Chanel Adgusting</b>
	<b>Factory Default</b>		<b>Reset to orignal parameters</b>
	<b>Touch Calibration</b>		<b>Touch screen adjusting</b>

## 8.DMX protocol

Mode1	Mode2	Mode3	Name	Function	DMX Value
1	1	1	Pan	PAN 8BIT	0-255
2	2		Pan Fine	PAN 16BIT	0-255
3	3	2	Tilt	TILT 8BIT	0-255
4	4		Tilt fine	TILT 16BIT	0-255
5	5	3	Pan/Tilt speed Pan/Tilt time	Speed from max. to min.	2-255
6	7	5	Colour wheel	Continual positioning	
				Open/white	0-2
				Deep Red	3-11
				Deep Blue	12-20
				Yellow	21-29
				Magenta	30-38
				Azure	39-47
				Red	48-56
				Dark green	57-66
				Amber	67-75
				Blue	76-84
				Orange	85-93
				CTO	94-102
				UV filter	103-111
				White	112-120
				Positioning	
				Deep Red	130-134
				Deep Blue	135-138
				Yellow	139-143
				Green	144-147
				Magenta	148-152
				Azure	153-157
				Red	158-161
				Dark green	162-166
				Amber	167-171
				Blue	172-176
				Orange	177-180
CTO	181-185				
UV filter	186-189				
Forwards rainbow effect from fast to slow	190-215				
No rotation	216-217				
Backwards rainbow effect from slow to fast	218-243				
Reserved	244-249				
Auto random colour selection from fast to slow	250-255				
7	8		Colour wheel- fine positioning	Fine positioning	0-255
8	10	7	Static gobo wheel	Open/hole	
				Positioning	
				Gobo 1	4-9
				Gobo 2	10-15
				Gobo 3	16-21
				Gobo 4	22-27
				Gobo 5	28-33
Gobo 6	34-39				



Mode1	Mode2	Mode3	Name	Function	DMX Value				
8	10	7	Static gobo wheel	Gobo 7	40-45				
				Gobo 8	46-51				
				Gobo 9	52-57				
				Gobo 10	58-63				
				Beam reducer 1	64-69				
				Beam reducer 2	70-75				
				Beam reducer 3	76-81				
				Beam reducer 4	82-87				
				<b>Shaking gobos from slow to fast</b>					
				Gobo 1	88-95				
				Gobo 2	96-103				
				Gobo 3	104-111				
				Gobo 4	112-119				
				Gobo 5	120-127				
				Gobo 6	128-135				
				Gobo 7	136-143				
				Gobo 8	144-151				
				Gobo 9	152-159				
				Gobo 10	160-167				
				Beam reducer 1	168-175				
				Beam reducer 2	176-183				
				Beam reducer 3	184-191				
				Beam reducer 4	192-199				
				Open/hole	200-201				
				Forwards gobo wheel rotation from fast to slow	202-221				
				No rotation	222-223				
				Backwards gobo wheel rotation from slow to fast	224-243				
				Reserved	244-249				
				Auto random gobo selection from fast to slow	250-255				
				9	11	8	Rotating gobo wheel	In the range of 0-59 DMX the gobo selection speed is controlled by the Effect speed channel	
								<b>Index - set indexing on channel 10/12/7</b>	
Open/Hole (default)	0								
Hole (flat field)	1-4								
Gobo 1	5-7								
Gobo 2	8-10								
Gobo 3	11-13								
Gobo 4	14-16								
Gobo 5	17-19								
Gobo 6	20-22								
Gobo 7	23-25								
Gobo 8	26-28								
Gobo 9	29-31								
<b>Rotation - set rotation on channel 10/12/7</b>									
Gobo 1	32-34								
Gobo 2	35-37								
Gobo 3	38-40								
Gobo 4	41-43								
Gobo 5	44-46								
Gobo 6	47-49								
Gobo 7	50-52								
Gobo 8	53-55								

Mode1	Mode2	Mode3	Name	Function	DMX Value	
9	11	8	Rotating gobo wheel	Gobo 9	56-59	
				Shaking gobos from slow to fast		
				Index - set indexing on channel 10/12/7		
				Gobo 1	60-67	
				Gobo 2	68-75	
				Gobo 3	76-83	
				Gobo 4	84-91	
				Gobo 5	92-99	
				Gobo 6	100-107	
				Gobo 7	108-115	
				Gobo 8	116-123	
				Gobo 9	124-129	
				Shaking gobos from slow to fast		
				Rotation - set rotation on channel 10/12/7		
				Gobo 1	130-137	
				Gobo 2	138-145	
				Gobo 3	146-153	
				Gobo 4	154-161	
				Gobo 5	162-169	
				Gobo 6	170-177	
				Gobo 7	178-185	
				Gobo 8	186-193	
				Gobo 9	194-199	
Forwards gobo wheel rotation from fast to slow		200-221				
No rotation		222-223				
Backwards gobo wheel rotation from slow to fast		224-243				
Reserved		244-249				
Auto random gobo selection from fast to slow		250-255				
10	12	9	Rot. gobo indexing and rotation	Gobo indexing - set position on channel 9/11/6		
				Gobo indexing	0-255	
				Gobo rotation - set position on channel 9/11/6		
				No rotation	0	
				Forwards gobo rotation from fast to slow		1-127
				No rotation	128 - 129	
Backwards gobo rotation from slow to fast		130-255				
11	13		Rot. gobo indexing and rotation-fine	Fine indexing (rotation)	0-255	
12	14	10	Prism	Open position (hole)	0-19	
				6-facet linear rotating prism -indexing		20-69
				6-facet linear rotating prism- rotation		70-127
				Prism/gobo macros		
				Macro 1	128-135	
				Macro 2	136-143	
				Macro 3	144-151	
				Macro 4	152-159	
				Macro 5	160-167	
				Macro 6	168-175	
				Macro 7	176-183	
Macro 8	184-191					
Macro 9	192-199					

Mode1	Mode2	Mode3	Name	Function	DMX Value
12	14	10	Prism	Macro 10	200-207
				Macro 11	208-215
				Macro 12	216-223
				Macro 13	224-231
				Macro 14	232-239
				Macro 15	240-247
				Macro 16	248-255
13	15	11	Prism1 rotation and indexing	Prism indexing – set position on channel 12/14/8	
				Prism indexing	0-255
				Prism rotation – set position on channel 12/14/8	
				No rotation	0
				Forwards prism rotation from fast to slow	1-127
				No rotation	128-129
				Backwards prism rotation from slow to fast	130-255
14	16	12	Forst	Frost from 0% to 100%	0-255
15	17	13	Zoom	Zoom from max. to min.beam angle	0-255
16	18		Zoom fine	Fine zooming	0-255
17	19	14	Focus	Continuous adjustment from far to near	0-255
18	20		Focus fine	Fine focusing	0-255
19	21		Autofocus (priority & distance selection)	Select desired distance and effect on which you need to focus and use "Focus"channel(17/19/12)to focus the image	
				Reserved	0-27
				Disable zoom/focuslinking-1 sec.	28-52
				Enable zoom/focus linking,near distance(8meters) (default setting) -1 sec.	53-77
				Enable zoom/focus linking,ediumdistance(12meters) -1 sec.	78-102
				Enable zoom/focus linking, far distance(20meters) -1 sec.	103-127
				Reserved	128-255
20	22	15	Strobe	Shutter closed ( Lamp power reduced to 230 W)	0-31
				Shutter open, Full lamp power	32-63
				Strobe-effect from slow to fast	64-95
				Shutter open	96-127
				Opening pulse in sequences from slow to fast	128-143
				Closing pulse in sequences from fast to slow	144-159
				Shutter open	160-191
				Random strobe-effect from slow to fast	192-223
				Shutter open, Full lamp power	224-255
				Dimmer intensity from 0% to 100%	0-255
21	23	16	Dimmer		
22	24		Dimmer fine	Fine dimming	0-255
23	6	4	Power/Special functions	Reserved	0-19
				* Function is active only 10 seconds after switching fixture on	
				Eco mode ( Lamp power 230W)	20-24
				Standard mode (Lamp power 280W)	25-29
				Reserved	30-49
				Pan/Tilt speed mode	50-59
				Pan/Tilt time mode	60-69
				Blackout while pan/tilt moving	70-79
				Disabled blackout while pan/tilt moving	80-89
				Blackout while colour wheel moving	90-99
				Disabled blackout while colour wheel moving step	100-109

Mode1	Mode2	Mode3	Name	Function	DMX Value
23	6	4	Power/Special functions	Blackout while gobo wheel moving step	110-119
				Disabled blackout while gobo wheel moving	120-129
				To activate following functions, stop in DMX value for at least 3 seconds:	
				Lamp On,reset(total reset except pan/tilt reset)	130-139
				Pan/Tilt reset	140-149
				Colour system reset	150-159
				Gobo wheels reset	160-169
				Dimmer/Shutter	170-179
				Zoom/focus/prism reset	180-189
				Reserved	190-199
				Total reset	200-209
				Reserved	210-229
				Lamp Off	230-239
				Reserved	240-255
24	9	6	Effect Speed	Speed of Rot. Gobo selection from max. to min.	0-255

## 9. Maintenance and cleaning

**DANGER: Disconnect from the mains before starting any maintenance work.**

It is absolutely essential that the fixture is kept clean and that dust, dirt and smoke fluid residues must not buildup on or within the fixture. Otherwise, the fixtures light-output will be significantly reduced. Regular cleaning will not only ensure the maximum light-output, but will also allow the fixture to function reliably through out its life. A soft lint-free cloth moistened with any good glass cleaning fluid is recommended, under no circumstances should alcohol or solvents be used!

The front objective lens will require weekly cleaning as smoke-fluid tends to building up residues, reducing the light-output very quickly. The cooling-fans should be cleaned monthly.

The gobos may be cleaned with a soft brush, The interior of the fixture should be cleaned at least annually using a vacuum-cleaner or an air-jet.

There are no serviceable parts inside the device except for the lamp and the fuse.

Replacing the fuse: If the lamp burns out, the fine-wire fuse of the device might fuse, too. Only replace the fuse by a fuse of same type and rating. Before replacing the fuse, unplug mains lead.

Maintenance and maintenance of the operation, please contact the manufacturer or distributor.

## **10. Electric equipment specification**

### **10.1 Electrical paramters**

SOURCE: Osram sirius hri 370W

POWER: 600W

VOLTAGE: AC100-240V 50/60HZ

Color temperature: 8000K

### **10.2 Weight and dimensions**

Dimensions : 391X398X506mm

NET WEIGHT: 22Kg

Dimensions (Carton package) : 710X505X415mm

WEIGHT (Carton package) : 27.5Kg

Dimensions (Air boxes -2 lights): 1000X490X725mm

NET WEIGHT/WEIGHT (Air boxes -2 lights) : 37Kg/84Kg

### **10.3 Channel Characteristics**

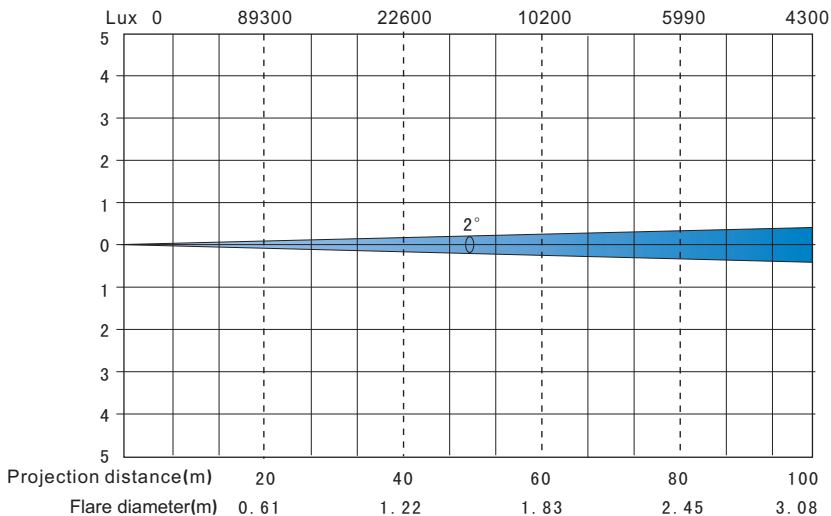
1. Channel: 24, 24, 16DMX-512.
2. Scan: Pan540°, Tilt260°, Scan speed adjustable. Fixture could auto reset.
3. Colour wheel: One open + 13 colors.
4. RGo bo wheel: one open + 9 gobos. GoboR wheel: one open + 14 gobos.
5. Prism system: prism effect, with rotating.
6. Dimmer: linear dimmer.
7. Focus: linear focus.
8. Zoom: linear amplifier.
9. Shutter: Double motor stroboscopic, electronic shutter, random strobe.

### **10.4 Menu Function**

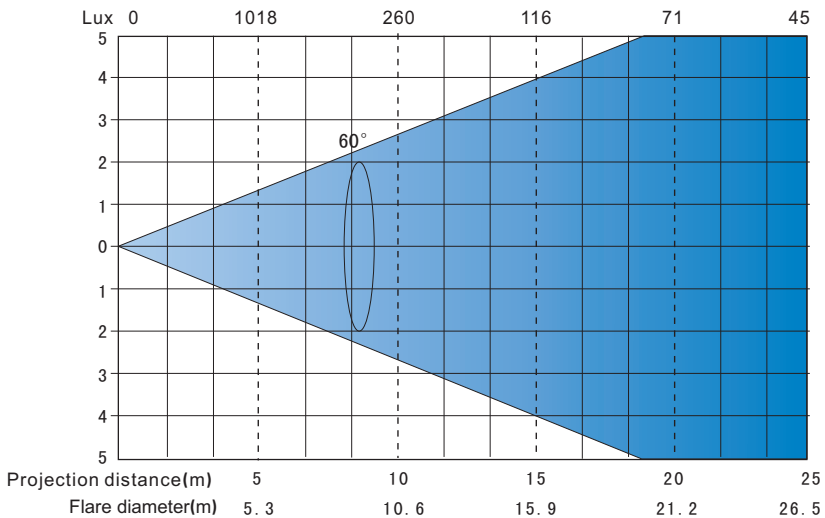
1. Touch screen, English menu.
2. Each DMX Value displayable.
3. Monitor could ON/OFF automatically.
4. Show fixture, lamp use time.
5. Lamp on/ff when power on.
6. When dimmer is closed, It supports energy saving mode, power consumption of the bulb will be 80% less, which will prolong lifetime of the bulb and make it more stable.
7. You can switch on and off the lamp via the control panel or via your DMX controller. It must be noted that it has to be cold before re-stricking.
8. DMX signal after disconnecting display brightness alternately.
9. Remote ON by DMX.
10. Software upgrade function.

**10.5 light table**

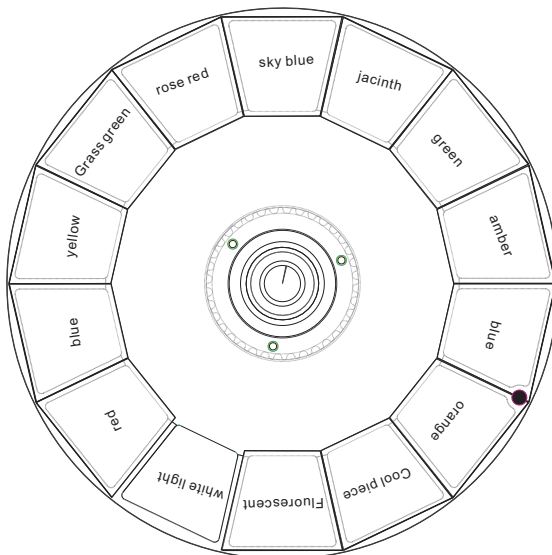
**Beam pattern light spot**



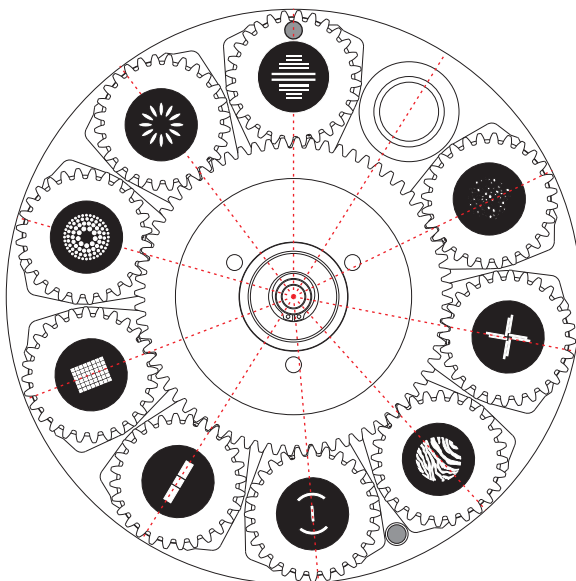
**Spot mode maximum spot**



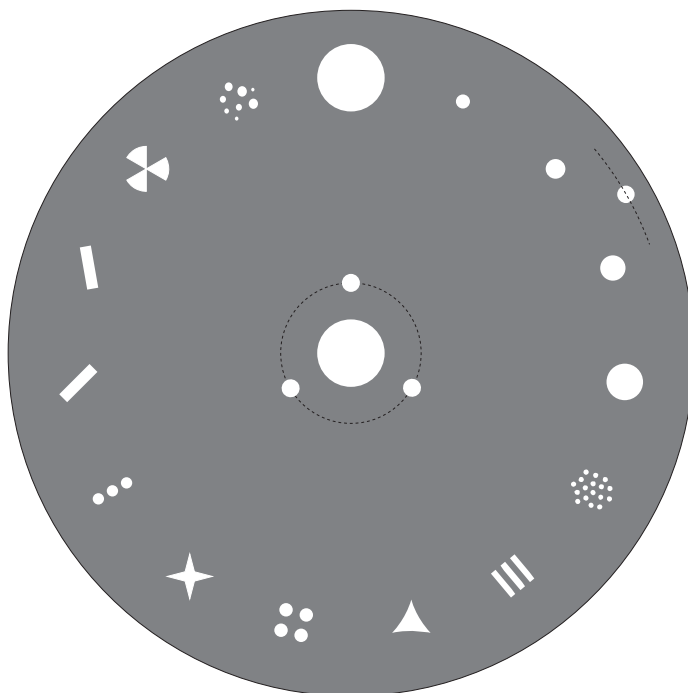
### 10.6 Color disk



### 10.7 Gobo wheel RGOBO WHEEL

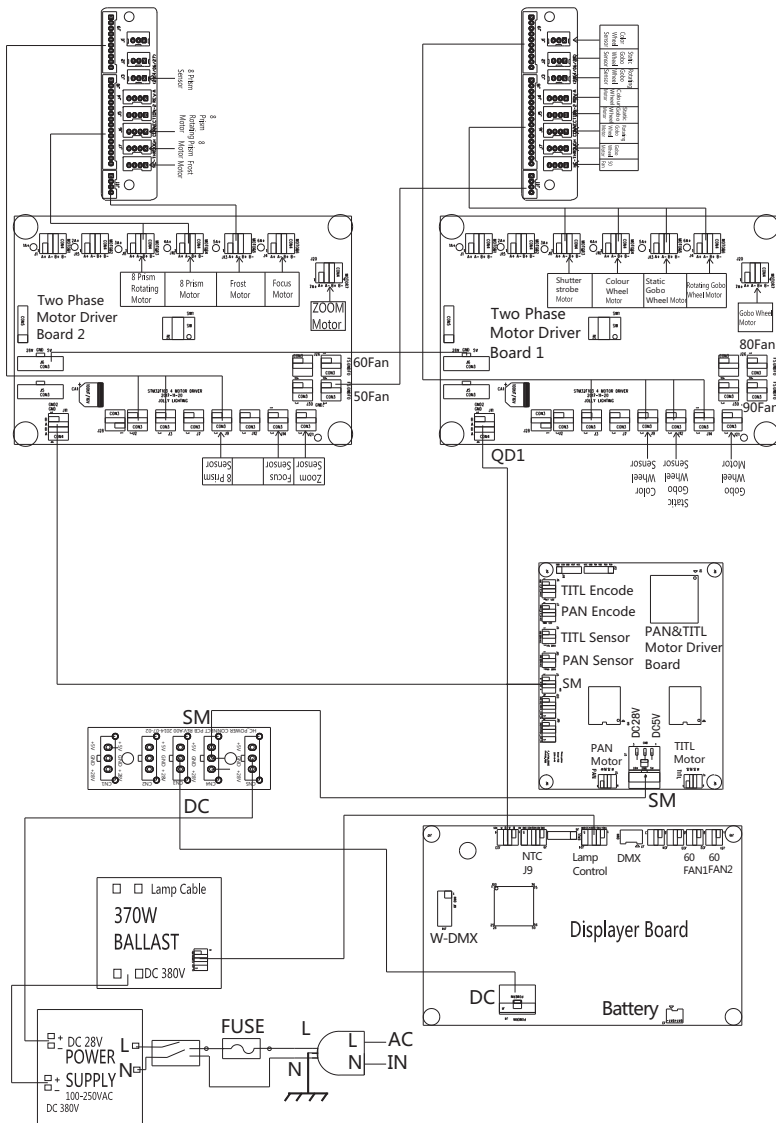


**GOBOR WHEEL**  
Effective diameter 8mm





## 11. Electronic drawing



**Note: The above contents for reference only and is subject to change without prior notice, please take specification you have on hand and our company reserves the final right of interpretation.**





