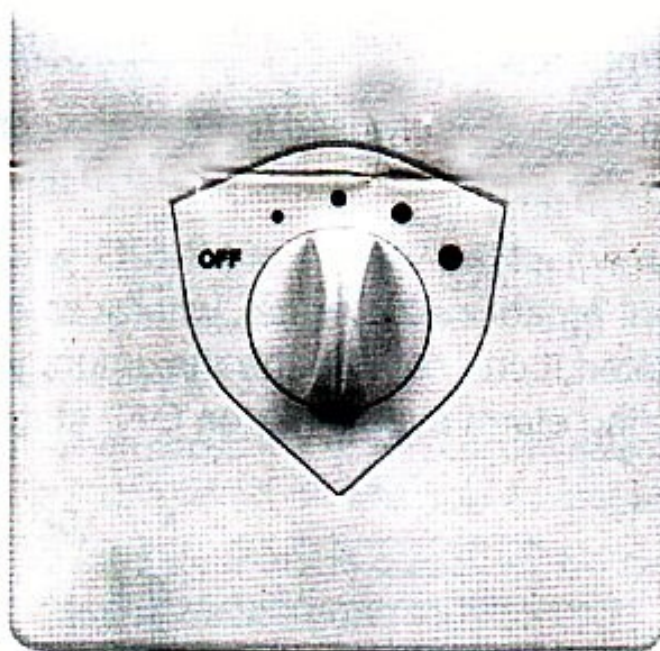
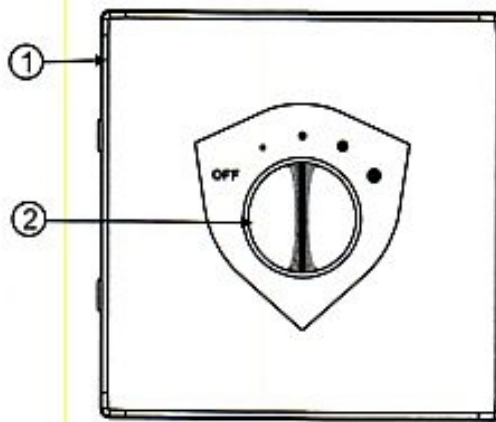


## Volume Controller



English

## 1. Description of Top-Cover



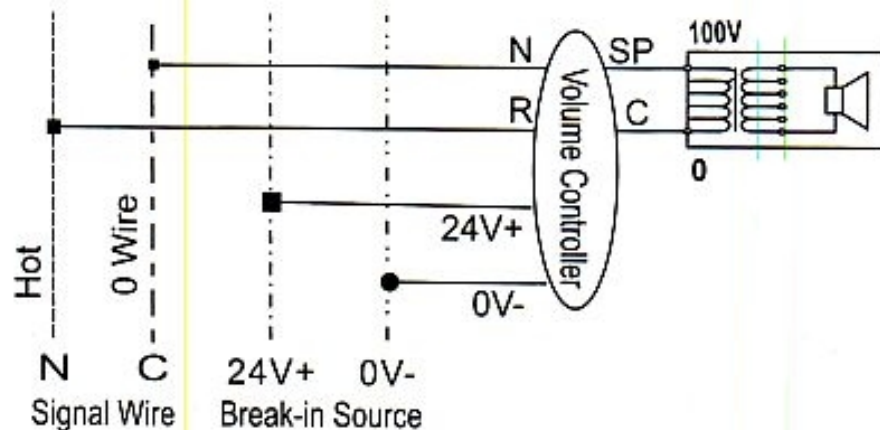
1.1 Volume Controller is the break-in volume controller, it can be used in the terminal of broadcasting and it is connected with normal power MAX.10W.

### ① Control Panel

It can be completely used for common control sockets.

### ② Control Knob

It can adjust the volume of MUSIC, when there is urgent broadcasting signal, wherever the volume is adjusted, it can cut into the maximum volume broadcasting alarm even if it is on OFF status.

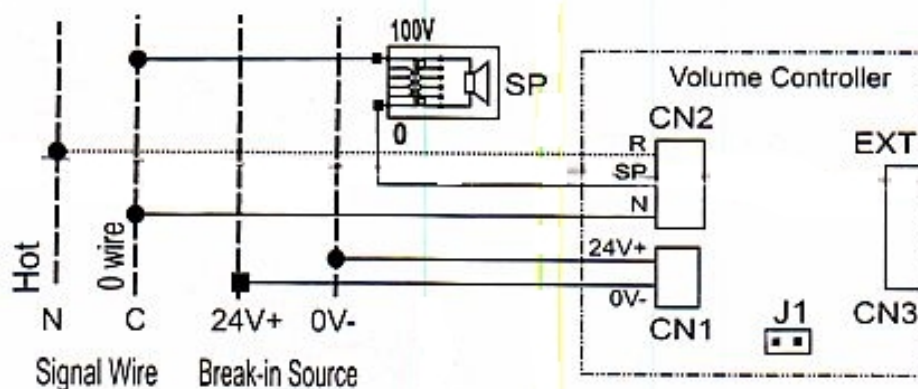


1.2	Abnormal phenomenon	Eliminating ways
	Unbalanced control button	Bad wave band SW, please ask the qualified technician to process
	Not cut off alarm signal when there is urgent source	Bad relay or wave band SW, please ask the professional to process
	Normal control function, no MUSIC or ALARM signal	Check that if the wires connected are normal

## 2. Installation and Connection

**Figure 1**

Connection of break-in four-wire Volume Controller



**PS:**J1 is the short circuit PIN of 2P, user can select freely the "short circuit" or "open circuit". If using extra-connected signal Cn3:

- 2.1. In short circuit, there is output at the maximum when broadcasting background music.
- 2.2. In open circuit, there is no output at the maximum when broadcasting background music; when there is urgent broadcasting signal, it can automatically convert to broadcasting urgent broadcasting signal at the maximum, then broadcast background music after the urgent broadcasting signal is cancelled.

2.3 If background music of user and urgent broadcasting are using N wire at the same time, we suppose you should use short circuit way, there is output at the maximum.

**Figure 2**  
Applying Examples Volume of Controller

