

HURRICANE 850 DMX



CONTENTS

Warning.....	1
Caution.....	3
Particular Warning!.....	3
Please note	3
Important.....	3
Figure1 HURRICANE 850 DMX Effect Fan.....	4
Functions Description.....	5
Getting ready	5
Mounting	6
Set Up	7
DMX Connector Pin Assignment Functions.....	8
of the buttons	9
Operation	10
Figure 2 DMX Chart	13
Troubleshooting.....	13
Maintenance	14
Product Specification	15
Appendix – A DMX Dip Switch Value Guide	16

If the supply cord is damaged, it must be replaced by the manufacturer, its service agent or similarly qualified persons in order to avoid a hazard.

Instructional icons



Read the manual



Indoor use only



This symbol indicating separate collection for electrical and electronic equipment



Warning: situations that could cause injury to yourself or others



Caution: situations that could cause damage to your machine or other equipment



Note: notes, usage tips, or additional information

Thank you for selecting our HURRICANE 850 DMX serials DMX Effect Fan, you already own the high-tech, professional DMX Effect Fan! Better read the manual thoroughly before operation, follow instruction will help you have a smooth handling with HURRICANE 850 DMX serials DMX Effect Fan to achieve the most satisfactory effect, it will also assist unit to further prolong life time as a whole.



Warning!

Like all electronic products, HURRICANE 850 DMX Effect Fan must be used with safety precautions in mind.

- Use only appropriate, grounded electric power supply for your unit. See your product specification label for appropriate power supply. This appliance must be earthed.
- Disconnect from electric mains power supply when not in use, cleaning, servicing, changing a fuse or storing.
- The machine is for indoor use only, away from the liquid, do not use the machine in rain or in a humid environment;
- Keep unit dry. If moisture or liquids enter the machine case, immediately disconnect power supply. Contact a service technician to determine safety for use.
- Without user-serviceable parts in the package, please contact your local agent or qualified technician for servicing.

- Without changeable structure by non-qualified user, please do not open the cover or have any change at will, otherwise, it may cause accident!
- Machine is for adult use. Keep out of reach of children. Never leave the unit running unattended.
- Keep case closed while operating. Put machine in drafty place. Do not insert objects into air vents. Allow 20cm space or above around the machine for proper ventilation.
- Do not put hands or foreign objects into the fan;
- Keep machine away from flames and flammable items.
- If any abnormal running occurs, stop it immediately, and bring the done up unit (recommend original box) to your agent or dealer for servicing.
- Read user manual instructions thoroughly before operating. Follow the instruction. Never remove warning or informative labels from the unit.

IMPORTANT SAFEGUARDS

- Read all instruction
- Products for indoor use only.
Keep away from liquids. Never operate in rain or in damp conditions.
- Unit must be grounded.
- Don not open unit, risk of electric shock.
- Keep machine in flat position, never put it in tilted place.
- Do not immerse in any liquid
- Save these instructions.



Caution!

There are no user serviceable parts inside this unit. Do not attempt any repairs yourself, doing so will void your manufacturer's warranty. In the unlikely event your unit may require service please contact your local dealer.



Particular Warning :

Please install the product correctly according to the instruction of the user manual. To avoid any accident, it is not allowed to install the product with any way not instructed on the user manual. If an accident happens because users do not install the product according to the instruction of the user manual, the manufacturer will not take any responsibility.



Please note:

Specifications and improvements in the design of this unit and this manual are subject to change without any prior written notice.

Important

The wires in this mains lead are colored in accordance with the following code.

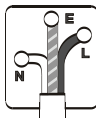
EU

Green and Yellow – Earthed (E)

Blue – Neutral (N)

Brown – Live (L)

Warning: This appliance must be earthed.



USA

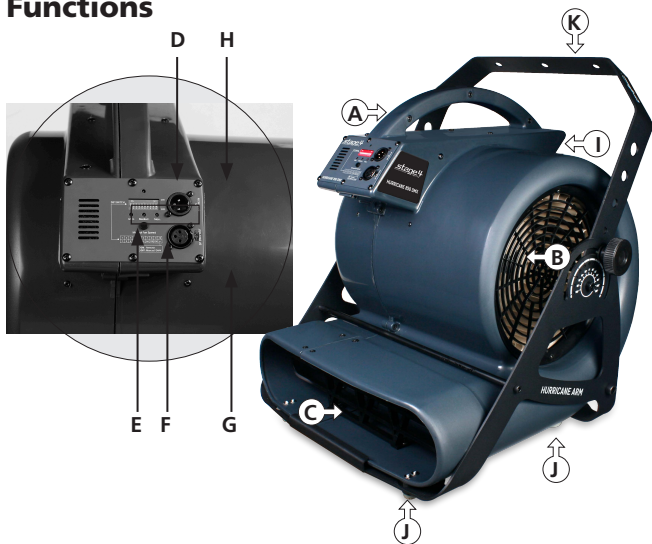
Green and Yellow – Earthed (E)

White – Neutral (N)

Black – Live (L)

Warning: This appliance must be earthed.

Figure1 HURRICANE 850 DMX Effect Fan Functions



A. Handle

B. Inlet

C. Outlet

D. 10 Key Dip Switch

E. 3 LED Indicators

F. Function Buttons

G. DMX 3 pin XLR Output

H. DMX 3 pin XLR Input

I. Power Input

J. Pad

K. Hanging Bracket (OPTION)

Description

1. Maximum, medium and small 3-sections fan speed adjustment.
2. Excellent wind direction, suitable for use in studio, 4D theater, concert and special effects use.
3. 850W fan, powerful and low noise.
4. Fan angle adjustable 0-220 degrees.
5. Could be used with the wireless remote control RC-4T, the use of fan more convenient.
6. 1CH DMX on board, operate by any additional DMX controller.
7. Strong and sturdy housing design.
8. Could optional buy the bracket to install in variety of angles.

Getting Ready

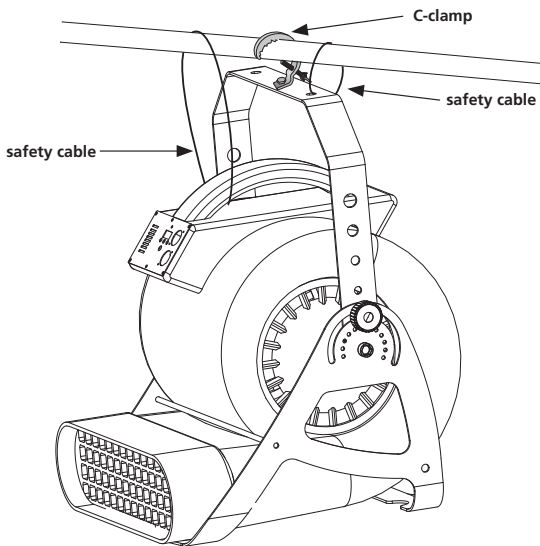
All products are thoroughly tested at the factory and shipped in perfect condition. If damage has occurred during shipping, or if components are missing, please contact your local dealer immediately.

Your package should include:

1. One HURRICANE 850 DMX Effect Fan
2. One product user manual

Mounting

HURRICANE 850 DMX Effect Fan is shipped complete, ready to use. The bracket is installed before shipping, the unit can be hung in any position. Fasten the effect fan onto firm trussing (Use a 30-kg rated or stronger C-clamp bolted onto the bracket, enhancing safety necessarily with safety cables). Allow enough space (around 20cm) on all sides for proper cooling.



Set Up

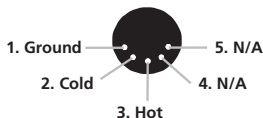
1. Open the shipping carton and carefully remove the unit from the shipping carton;
2. Be sure to remove packing material from around the machine, especially outlet and inlet;
3. Set the machine on a dry, flat surface;
4. Plug mains power cord from the machine into appropriate power supply socket;
5. Use function buttons for operating control, or connect DMX controller for setting.

DMX Connector Pin Assignment

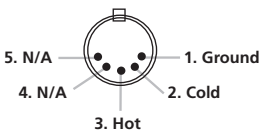
The machine provides a 3- or 5-pin XLR connector for DMX connection. The diagram below indicates pin assignment information.

5 pin XLR

XLR Male Socket



XLR Female Socket

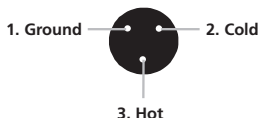


XLR Pin Configuration

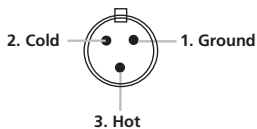
- Pin 1= Ground
- Pin 2= Data Compliment
(negative)
- Pin 3= Data True (positive)
- Pin 4= No use
- Pin 5= No use

3 pin XLR

XLR Male Socket



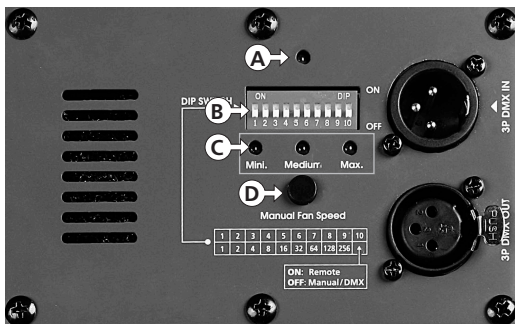
XLR Female Socket



XLR Pin Configuration

- Pin 1= Ground
- Pin 2= Data Compliment
(negative)
- Pin 3= Data True (positive)

Functions of the buttons



A. State Indicator:

- The key 10 of dip switch (B) is in manual mode if OFF, indicating green LED (A) always light.
- The key 10 of dip switch (B) is in wireless control mode if ON, indicating green LED (A) flashing.

B. Dip switches:

1. In manual mode, the dip switch 1-9 is used to set the DMX512 address. If the DMX signal is received, then switch to 1-channel DMX control.
2. In manual mode, if no DMX signal received, the adjusting volume button (D) is used to control the fan volume.
3. In wireless control mode, key 10 of dip switch is ON, which receives external control of the remote controller.

C. Fan volume indicator LED:

Fan close	Three indicators off
Minimum fan volume	LED upon "Mini." ON, other two LEDs off
Mid-range fan volume	LED upon "Medium" ON, other two LEDs off
Maximum fan volume	LED upon "Max." ON, other two LEDs off

- D. Manual Fan Speed button:** Used to control the fan volume
Each time the button is pressed, the fan volume is switched once,
and the cycle is repeated, as follows:
Fan off --> Mini. Fan Volume --> Medium Fan Volume --> Max.
Fan Volume --> Fan off



Set fan volume is automatically saved after power off.

Operation

Plug mains power cord from the machine into appropriate power supply socket;

Stand-alone Operation.....

Panel Knob control, when the external controller or DMX signal is not connected.

1. Flip the key 10 of dip switch to OFF to manual mode, indicating green LED always light;
2. Confirm that there is no DMX signal connected;
3. Manually press the "Manual Fan speed" button to control the fan volume;
4. Each time the button is pressed, the fan volume is switched once, and the cycle is repeated, as follows;
Fan off --> Mini. Fan Volume --> Medium Fan Volume -->Max.
Fan Volume --> Fan off

Remote Control Operation.....

For best result, use RC-4T wireless controller.

1. Flip the key 10 of dip switch to ON to wireless control mode, indicating green LED flashing;
2. Fan is controlled by RC-4T wireless controller now;
3. The button functions of the wireless controller are as follows;

A button set Mini. Fan volume

B button set Medium Fan Volume

C button set Max. Fan Volume

D button set Fan off



Specification of Compatible Controllers

Model	RC-4T
Cable Length	wireless
Effective Distance	25 meters
Connector	N/A
Function	• ON/OFF • Volume adjustment
Dimension (LxWxH)	58.5×38.7×12.2mm
Weight	0.329kg

DMX Control Operation

1. Flip the key 10 of dip switch to OFF to manual mode, indicating green LED always light;
2. Connect the DMX 512 controller cable to the input socket (Figure 1-H) of the machine unit. Make sure the signal cable polarity is correct. When DMX socket receives effective DMX signals, the machine enter DMX control mode automatically;
3. Use DMX Dip switches 1-9 to set the unit to the desired DMX512 address. Refer to the DMX value guide in Appendix A. This machine is 1-channel DMX;
4. If desired, connect another machine: Plug one end of another signal cable in to the output socket (Figure 1-G) on the back of the first fan plug the other end of the signal cable to the input socket (Figure 1-H) on the back of the second fan. Follow the same procedure to link more machines, if desired; whole link is daisy chain.
5. Down. Refer to DMX channel chart in Figure 2 make related settings. Now start operating fan with DMX console.

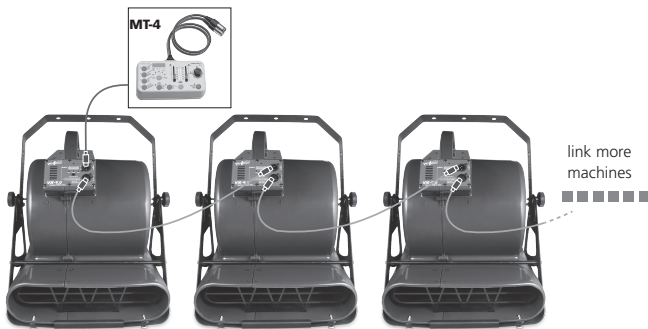


Figure 2 DMX Chart

CH1	
DMX Value	Fan Volume
230-255	Maximum
128-229	Medium
26-127	Minimum
0-25	OFF

Troubleshooting

This troubleshooting guide is meant to help solve simple problems. If a problem occurs, carry out the steps below in sequence until a solution is found. Once the unit operates properly, do not carry out following steps. If the problem persists, refer servicing to a qualified technician.

Power connected but fan does not work:

1. Check the power supply. Plug the unit into grounded electric power supply socket with proper voltage;
2. The control panel operation is correct;
3. Make sure the signal cable polarity is correct and good connection;
4. Check your DMX address setting;
5. Check your controller if in correct connection.

Maintenance

Before doing maintenance, please make sure that the power is cut, the power cord is unplugged, and the machine itself has cooled down.

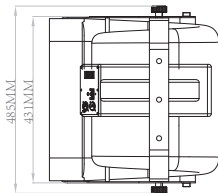
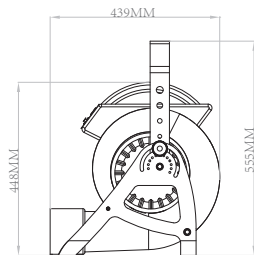
The maintenance must be done by qualified person.

1. For a long time use, the inlet may accumulate dust, please regularly clean the inlet;
2. For a long time use, the outlet may be the accumulation of dust, please regularly clean up the outlet, keep the outlet unobstructed;
3. Clean the housing with dry cloth.

Product Specifications

Name	HURRICANE 850 DMX Effect Fan
Item No.	HURRICANE
Fan Motor Power	850W
Consumption	860W
Fuse (120V)	10A
Fuse (230V,240V)	7A
DMX512 CH.	1CH
Built-in Function	Fan volume adjustment button
Fan angle	0-220°
Horse power	1HP
Fan Speed Adjustment	3 Sections, Mini. Medium, & Max.
Max. Fan volume (m ³ /min)	99
Fan Speed Range	1410 rpm
Date Connection	3P XLR
Controller Connection	1/4" Jack
Bracket	VX-9.0H optional buy
Voltage	120V/60Hz; 230V,240V/50Hz
Dimensions/mm (LxWxH w/o bracket)	510 x 420 x 500mm
Dimensions/mm (LxWxH with bracket)	525 x 484 x 570mm
Weight (kg)	13.85kg (18.2kg with bracket)
Controller included	RC-4T

* Voltage is preset at the factory and may not be changed.



Appendix – A DMX Dip Switch Value Guide

This is a brief guide to DMX dip switch value settings. DMX products must have their own “address” to receive DMX signals. Addresses on fan are set by flipping appropriate DMX dip switches.

To do this, you need to know the DMX dip switches have the following values: #1=1; #2=2; #3=4; #4=8; #5=16; #6=32; #7=64; #8=128; #9=256. And you need to know that DMX address settings are the sum of the dip switch values.

For example, standard DMX addresses for four HURRICANE, each of which has 1 channel (see Figure 2), follow:

	Address Value	DMX Dip Switches “ON”
Unit 1	1	#1
Unit 2	2	#2
Unit 3	3	#1, #2
Unit 4	4	#3

Explanation: Since each unit has one channel, each address advances one value (see address value above).

Once address values are figured out, add DMX dip switch values to obtain the appropriate address (Any of Dip 1-9 “ON”) for each unit. Flip appropriate DMX dip switches on each unit.

HURRICANE 850 DMX

Save this instruction properly
All the information is subject to change without prior notice