

miniMYSTYQUE 200



CONTENTS

Warning.....	1
Caution.....	3
Particular Warning!.....	3
Please note:	3
Important.....	3
Figure 1 Haze Functions	4
Description	5
Getting ready	6
Mounting	6
Set Up	7
Operation	8
Troubleshooting.....	10
Maintenance	12
Product Specification	13

If the supply cord is damaged, it must be replaced by the manufacturer, its service agent or similarly qualified persons in order to avoid a hazard.

Instructional icons



Read the manual



Indoor use only



This symbol indicating separate collection for electrical and electronic equipment



Warning: situations that could cause injury to yourself or others



Caution: situations that could cause damage to your machine or other equipment



Note: notes, usage tips, or additional information

Thank you for selecting our Haze machine, you already own the high-tech, and user-friendly Haze! Better read the manual thoroughly before operation, follow instruction will help you have a smooth handling with Haze machine to achieve the most satisfactory fog effect, it will also assist unit to further prolong life time as a whole.



Warning!

Like all electronic products, Haze machine must be used with safety precautions in mind.



Fill enough fog fluid before plugging in, empty fluid tank when not in use or moving.

- Use only appropriate, grounded electric power supply for your unit. See your product specification label for appropriate power supply. This appliance must be earthed.
- Disconnect from electric mains power supply when not in use, when filling the fluid tank, or when changing a fuse. Keep unit dry. If moisture or liquids enter the Haze machine case, immediately disconnect power supply. Contact a service technician to determine safety for use.
- Before moving the machine, always drain fog fluid and tighten the tank cap securely to avoid spilling.
- Without user-serviceable parts in the package, please contact your local agent or qualified technician for servicing.
- Without changeable structure by non-qualified user, please do not open the cover or have any change at will, otherwise, it may cause accident!
- Haze machine is for adult use. Keep out of reach of children. Never leave the unit running unattended.
- Haze machine nozzle gets hot over 200 degrees (centigrade) during use. Don't touch! Maintain a safe distance over 100CM. Never aim the nozzle directly at people.

- Keep case closed while operating. Put the machine in drafty place. Do not insert objects into air vents. Allow 100CM space or above around the machine for proper ventilation.
- Keep Haze machine away from flames and flammable items. Never aim the nozzle at open flames or sparks. Use only high quality water-based Haze fluid. Never put flammable substances into the tank.
- Machine must cool down before cleaning, servicing or storing.
- Never put any flammable material (lipid, gas, perfume etc.) into the tank, read the user manual thoroughly before operation.
- Better use our high quality water-based fog fluid, random use with other Haze fluid may jam the pipe, or even erode the components inside.
- Keep sufficient fluid in tank. Operating the unit without sufficient fluid, the pump will stop working.
- If any abnormal running occurs, stop it immediately, empty the fluid, and bring the done up unit (recommend original box) to your agent or dealer for servicing. Make sure all fluid is empty from the tank before moving or shipping.
- Never drink fog fluid. If ingested, call a doctor immediately. If fluid contacts eyes or skin, rinse skin thoroughly with water.
- Read user manual instructions thoroughly before operating. Follow the instruction. Never remove warning or informative labels from the unit.

Important Safeguards

- Read all instruction
- Products for indoor use only. Keep away from liquids. Never operate in rain or in damp conditions.
- Unit must be grounded.
- Don not open unit, risk of electric shock.
- Do not immerse in any liquid
- Save these instructions.



Caution!

There are no user serviceable parts inside this unit. Do not attempt any repairs yourself, doing so will void your manufacturer's warranty. In the unlikely event your unit may require service please contact your local dealer.



Particular Warning :

Please install the product correctly according to the instruction of the user manual. To avoid any accident, it is not allowed to install the product with any way not instructed on the user manual. If an accident happens because users do not install the product according to the instruction of the user manual, the manufacturer will not take any responsibility.



Please note:

Specifications and improvements in the design of this unit and this manual are subject to change without any prior written notice.

Important

The wires in this mains lead are colored in accordance with the following code.



230V, 240V

Green and Yellow – Earthed (E)

Blue – Neutral (N)

Brown – Live (L)

Warning: This appliance must be earthed.

100V, 120V

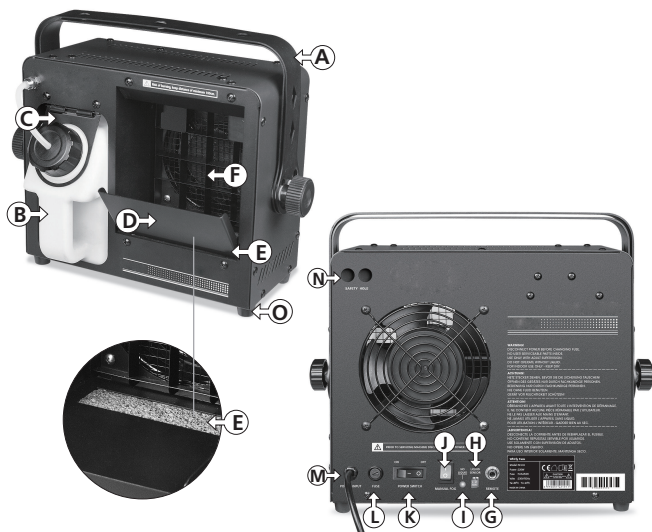
Green and Yellow – Earthed (E)

White – Neutral (N)

Black – Live (L)

Warning: This appliance must be earthed.

Figure1 Haze Functions



-
- | | |
|--|--------------------------------|
| A. Hanging Bracket with handle screw (used as a tripod) | J. Manual Fog |
| B. Tank | K. Power ON/OFF |
| C. Fixed Ring | L. Fuse |
| D. Air Deflector | M. Electric Power Input |
| E. Sponge | N. Safety Hole |
| F. Smoke Output | O. Pad |
| G. Control Socket Connection | |
| H. Two pin Dip Switch for Fluid Sensor | |
| I. LED Indicator for No Fluid Detection | |
-

Description

1. The highest valued Haze can fog continuously until fluid is run out.
2. Primary heating up takes only 70 seconds.
3. 0-100% output adjustment. Dry, stable and smooth smoke output. Effect of high quality smoke output coordinated with built-in fan, let the smoke be thinner and more uniform.
4. The hanging bracket can be adjusted different angles. It can be hung or used as tripod
5. The machine can be set for fogging up or forward.
6. Equipped with 0-90 degree adjustable air deflector.
7. Excellent design of 1.5 liter liquid tank has no worry of oil leaking when being operated up spray or forward spray.
8. Very durable and able to keep working long time.
9. **Self-cleaning system:** 100 seconds after shot down, the machine stops working. During the 100 seconds, the machine does self-cleaning of oil residue in the pipe.
10. Function of detecting no fluid. The machine stops working automatically when fluid is run out, and LED light indicates no fluid status. This function can be selected OFF.
11. Can do fogging manually or by VT-1 controller. Simple and humanized design let use of miniMYSTYQUE 200 be easier.
12. Light and thin housing can be easily hung up, located on the ground, or installed in any places where need the equipment.

Getting Ready

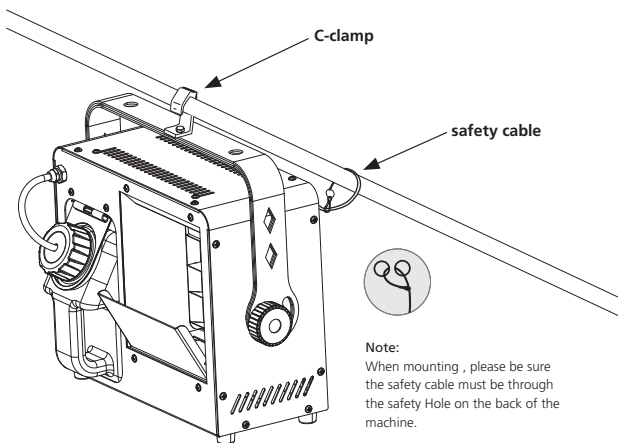
All products are thoroughly tested at the factory and shipped in perfect condition. If damage has occurred during shipping, or if components are missing, please contact your local dealer immediately.

Your package should include:

1. One Haze Machine
2. One product user manual

Mounting

miniMYSTYQUE 200 is shipped complete, ready to use. The bracket is installed before shipping, the unit can be hung in any position. Fasten the effect fan onto firm trussing (Use a 15-kg rated or stronger C-clamp bolted onto the bracket, enhancing safety necessarily with safety cables). Allow enough space (around 20cm) on all sides for proper cooling.



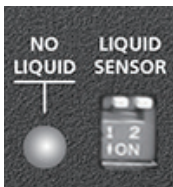
Set Up

1. Open the shipping carton and carefully remove the unit from the shipping carton;
2. Be sure to remove packing material from around the Haze machine, especially near the nozzle;
3. Set the Haze machine on a dry, flat surface;
4. Use only high quality, water-based fog fluid;
5. Firmly attach the remote control mechanism to socket (Figure1-G) on the back of the unit;
6. Plug mains power cord from the Haze machine into appropriate power supply socket. Wait about 70 seconds for heating element to heat up;
7. Refer to your controller manual for operation details;
8. Moving the machine during operation could probably get air entered into the liquid pipe and affect smoothness of fog blasts. If this happened, press the "Manual Fog" button to fog for a moment. Until the air is dispersed from the pipe, the machine will recover its normal fogging.

Very Important:

Please do not pull out the power suddenly when the machine is in normal smoke condition.

No Fluid Detection



The machine can perform no fluid detection. Please flip one of the two dip switches to ON in the picture left to detect the no fluid. When one of the dip switches is ON, the LED indicator will light up. When the fluid is run out, the machine stops working automatically, and LED indicator will flash indicates no fluid status.

1. Both of the dip switches are OFF, the machine does not detect whether the fluid is empty, and machine will not stop working automatically.

2. When the machine is started for 80 seconds, the machine will detect if there is fluid currently.
3. When the machine has no fluid, the machine takes about 30 seconds to detect. After 30 seconds and there is no fluid, the machine stops working automatically.
4. After filling the fluid, the "manual fog" button must be turned OFF, and then turned ON to reset.

Operation

Remote Control Operation.....

For best result, use VT-1 wired controller.

1. Firmly attach the remote control mechanism to socket (Figure1-G) on the back of the unit;
2. Plug mains power cord from the machine into appropriate power supply socket, the red LED upon the controller is lighted;
3. The volume adjustment knob on the controller is with the switch;
4. Turn the knob counterclockwise to the end to switch off, the fog is off, the green LED upon the controller is lighted;
5. The volume adjustment knob clockwise adjustment volume increases, counterclockwise adjustment volume reduction, the green LED upon the controller is blinking;
6. When the machine stops fogging, please do not unplug the machine immediately, but wait 100 seconds to let the machine automatically clean the fluid left in the pipe. This is to avoid causing negative effect when used next time.

VT-1 wired controller



A-1/4" stereo jack

B- Knob

C- Green LED (Volume output)

D- Red LED (power)

Controller power cord length: 3 m;

Connector: 1/4 "stereo jack;

Function: Air volume adjustment & ON/OFF;

Model	VT-1
Cable Length	3m
Effective Distance	N/A
Connector	1/4" stereo jack
Function	ON/OFF Volume adjustment
Dimension (LxWxH)	90 x 50 x 39 mm
Weight	0.257 kg

Manual Fogging Operation.....

1. As long as heating is completed, turn on the “ Manual fog” button, the machine with maximum output fogging;
2. Turn off the “Manual fog” button to stop.
3. When the machine stops fogging, please do not unplug the machine immediately, but wait 100 seconds to let the machine automatically clean the fluid left in the pipe. This is to avoid causing negative effect when used next time.

Troubleshooting

This troubleshooting guide is meant to help solve simple problems. If a problem occurs, carry out the steps below in sequence until a solution is found. Once the unit operates properly, do not carry out following steps. If the problem persists, refer servicing to a qualified technician.

Power Connected but No Smoke is Emitted:

1. Check the power supply. Plug the unit into grounded electric power supply socket with proper voltage.
2. Disconnect the machine from electric power supply. Replace fuse with one of the same type.
3. Keep sufficient fluid in tank.
4. Check if the oil pipe has normal fluid pumping.
5. Check if the oil pipe is broken.
6. Check if pump is working (with fluid flow or not).
7. Check if the heater is heating (touch the panel to see if it is warming).
8. Check your controller if in correct connection.

Power Connected, Fog Blasts not Smooth:

Moving the machine during operation could probably get air entered into the liquid pipe and affect smoothness of fog blasts. If this happened, press Manual Fog button to fog for a moment. Until the air is dispersed from the pipe, the machine will recover its normal fogging.

Should there be any low fog emitted, running noisily or hindered fogging, please wait for self-cleaning and pull out the plug immediately. Check if string enough fluid, if the pipe connected to the tank is clean, if there's air inside the pipe, if the liquid flows, if not, plug-in again; still persists abnormal running, and If causation is unclear, stop running to avoid any damage, shut down to cool it, and bring unit to your local agent or appointed service place for inspection, prohibit any dismantlement by yourself.



- If fluid is run out, full the tank with fluid and press "Manual Fog" to off than to on again to reset.
-

Very Important:

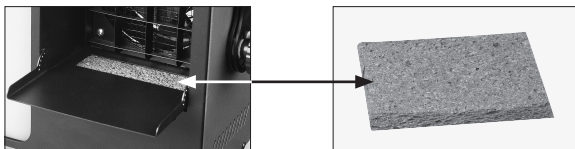
Please do not pull out the power suddenly when the machine is in normal smoke condition.

Maintenance

Before doing maintenance, please make sure that the power is cut, the power cord is unplugged, and the machine itself has cooled down.

The maintenance must be done by qualified person.

1. The fluid is not allowed to get dirty. Be sure to always clean or replace the caps on the tank (Replace the caps on the tank directly. This kit includes cap, pipe and filter) and tight the cover of the Haze machine tank immediately after filling.
2. Prolonged use, the nozzle may be clogging by impurities, periodically use tools to clean the nozzles, keep the nozzle unobstructed.
3. Prolonged use, please clean the air inlet regularly.
4. Prolonged use, sponge inside the vent may accumulate oil, periodically cleaned out or replaced with a new sponge.

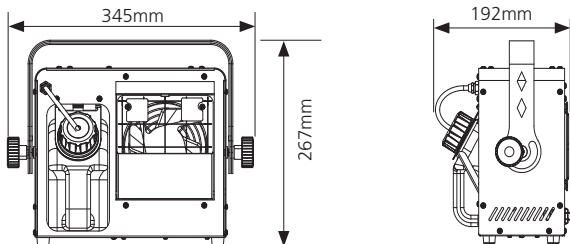


5. Periodically check the connections among the oil tube, the pump and the heater to see if there's oil leaking. If positive, lock tight the connections carefully with proper tool.
6. PC board should be kept from being dirtied with oil. In case this happened, dismantle carefully the PCB, and have it brushed clean both sides with dilute alcohol. Leave it dry itself, then install it back. Make sure all wires are well connected.
7. Clean the metal cover with dry cloth.

Product Specifications

Name	Haze
Item No.	miniMYSTYQUE 200
Heater Power	200W
Consumption	220W
Fuse (100V)	T3.15A/250V
Fuse (120V)	T3A/250V
Fuse (230V,240V)	T2A/250V
Built-in Function	Manual Fogging
Fog Output (cu.ft/min)	3000
Warm Up time(seconds)	70s
Fluid Consumption (ml/min)	2.2ml/min
Remote Connection	1/4" jack
Low Fluid Shutdown	YES
Display	NO
Tank (liters)	1.5L
Bracket	Yes
Voltage	100V 50/60Hz; 120V/60Hz; 230V,240V/50Hz
Dimensions/mm (LxWxH with bracket)	345x192x267mm
Weight (kg)	4.8kg
Controller (Optional)	VT-1

* Voltage is preset at the factory and may not be changed.



miniMYSTIQUE 200

Save this instruction properly

All the information is subject to change without prior notice