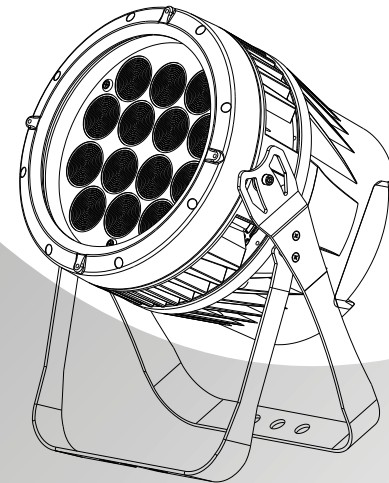


SuperSOLAR2 ze/VW

USER MANUAL



SS342

MODELS:SS342C1WM

 **SILVER STAR**
Professional Lighting

www.yajiang.cn

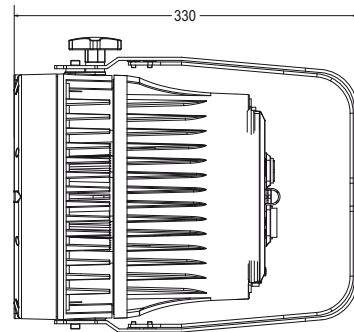
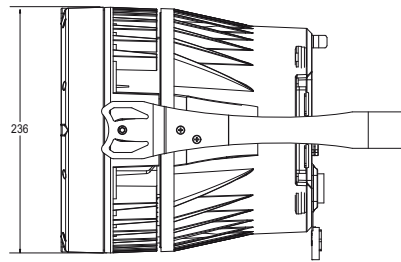
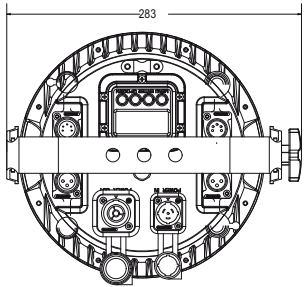
RD-SS342-SM-04(SS-I)

1 PRODUCT (GENERAL)

1.1 TECHNICAL SPECIFICATIONS

LED MODULE

Type	Model	Voltage	Operation Temperature	Weight (KG)	Dimensions 2 (mm)	Power (W)	IP
I	CWx14 WWx14	AC100~240V 50/60Hz	-20~45°C	8.6	330x283x236	170	65



STD.P

CHANNEL	VALUE	FUNCTION
1	0↔255	MASTER DIMMER
2	0↔255	MASTER DIMMERTRIMMING
3	0↔255	WARM WHITE LIGHT
4	0↔255	WARM WHITE FINE LIGHT
5	0↔255	COOL WHITE LIGHT
6	0↔255	COOL WHITE FINE LIGHT
7		WHITE MACRO
	0↔10	NO FUNCTION
	11↔50	WHITE 1: 3200K
	51↔80	WHITE 2: 3400K
	81↔110	WHITE 3: 4200K
	111↔140	WHITE 4: 4900K
	141↔255	WHITE 5: 5600K
8		STROB
	0↔9	NO FUNCTION
	10↔255	1~20Hz
9	0↔255	ZOOM
10	0↔200	NO FUNCTION
	201↔220	REST ZOOM
	221↔255	NO FUNCTION

UNO

CHANNEL	VALUE	FUNCTION
1	0↔255	MASTER DIMMER

1.2 SAFETY WARNING

IMPORTANT:

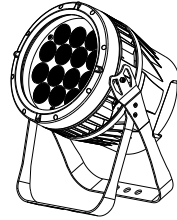
- This product must be installed by a qualified professional.
- All maintenance must be carried out by a qualified electrician.
- A minimum distance of 0.5m must be maintained between the equipment and a combustible surface.
- The product must always be operated in a well ventilated area.
- DO NOT stare directly into the LED light source.
- Always disconnect the power before carrying out any maintenance.
- The earth must always be connected to the ground.
- Ensure that all parts of the equipment are kept clean and free of dust.

2 INSTALLATION

2.1 MOUNTING

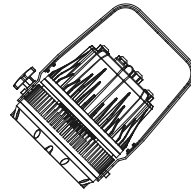
HANGING

The fixture can be mounted in a hanging position using the supporting bracket. The bracket should be secured to the mounting truss or structure using a standard mounting clamp. Please note that when hanging the unit a safety cable should also be used.



UPRIGHT

The fixture can be mounted in an upright or sitting position using the supporting brackets.



NOTE The LED MODULE can be mounted at any angle and in any position. It is possible to further adjust the angle of the LED MODULE using the two adjustment knobs located on the side of the fixture.

2.2 POWER CONNECTIONS

@ 220V: 12 units may be connected in series

@110V: 6units may be connected in series

Note:

If the signal cable is over 60m between the DMX512 controller and fixture or between two fixtures, then a DMX signal amplifier is needed as well.

4 USING A DMX512 CONTROLLER

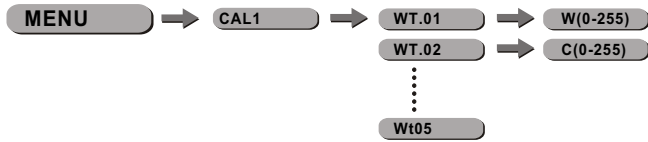
4.1 CHANNEL ASSIGNMENT

● Note: This product have three DMX512 channel configuration: **[STD.W] / [STD.P] [UNO]** .

STD.W

CHANNEL	VALUE	FUNCTION
1	0 ↔ 255	MASTER DIMMER
2	0 ↔ 255	MASTER DIMMER TRIMMING
3		WHITE MACRO
	0 ↔ 10	NO FUNCTION
	11 ↔ 50	WHITE 1: 3200K
	51 ↔ 80	WHITE 2: 3400K
	81 ↔ 110	WHITE 3: 4200K
	111 ↔ 140	WHITE 4: 4900K
	141 ↔ 255	WHITE 5: 5600K
4		STROB
	0 ↔ 9	NO FUNCTION
	10 ↔ 255	1~20Hz
5	0 ↔ 255	ZOOM
6	0 ↔ 200	NO FUNCTION
	201 ↔ 220	REST ZOOM
	221 ↔ 255	NO FUNCTION

3.8 WHITES CALIBRATION



- Enter the **【CAL1】** to select white color of different color temperature.
- There are 5 pre-programmed White colors can be edited by using **【Warm white】** & **【Cool white】**.

3.9 ACTIVATE THE PASSWORD



- Enter the **【KEY】** mode to select whether the access password is on or off.
- When the fixture is set as PASS **【ON】**, after 30 seconds or turn on the fixture next time, the fixture will need an access password to enter the display menu control.

Note: The factory access password is **【UP】 + 【DOWN】 + 【UP】 + 【DOWN】**, then press **【ENTER】** to confirm the access.

3.10 ZOOM RANGE

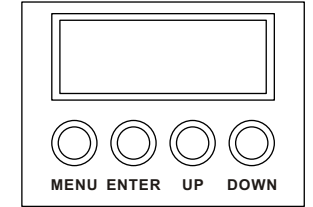


- Select the **【ZOOM】** range. **【POS1】** & **【POS2】** set the small position for the zoom function. Note that when using DMX to control the fixture, the user will only be able to access up to the set ZOOM position. It is not possible to adjust beyond the set position.

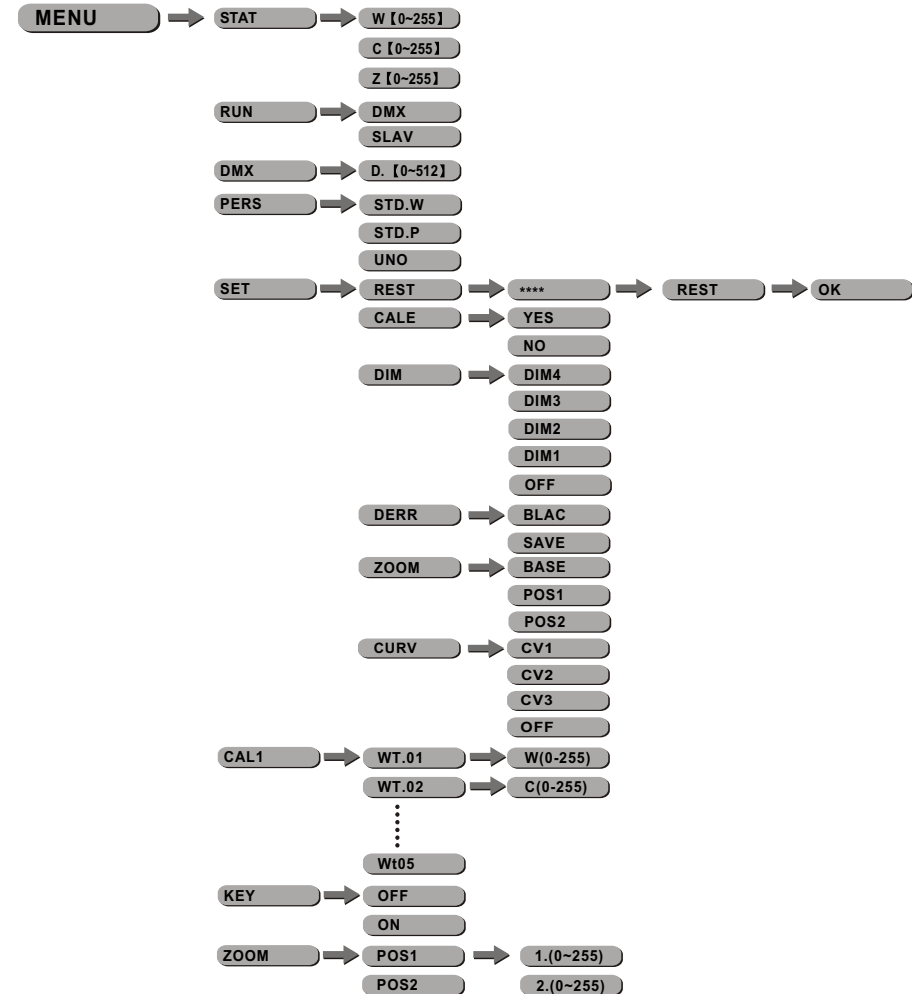
3 DISPLAY PANEL OPERATION

3.1 DISPLAY OPERATION

- ◆ MENU: BACK;
- ◆ ENTER: ENTER OR SAVE;
- ◆ DOWN: DOWN;
- ◆ UP: UP;



3.2 MENU MAP



3.3 EDIT STATIC COLOUR



- Combine **Warm white** , **Cool white** and **ZOOM** to create an infinite range of colors (0-255)

3.4 RUN MODE



- Enter the **RUN MODE** mode to set operation mode.
- **DMX** mode is for using the DMX512 controller to control the fixtures.
- **SLAVE** mode is for Master -- Slave operation.

3.5 DMX



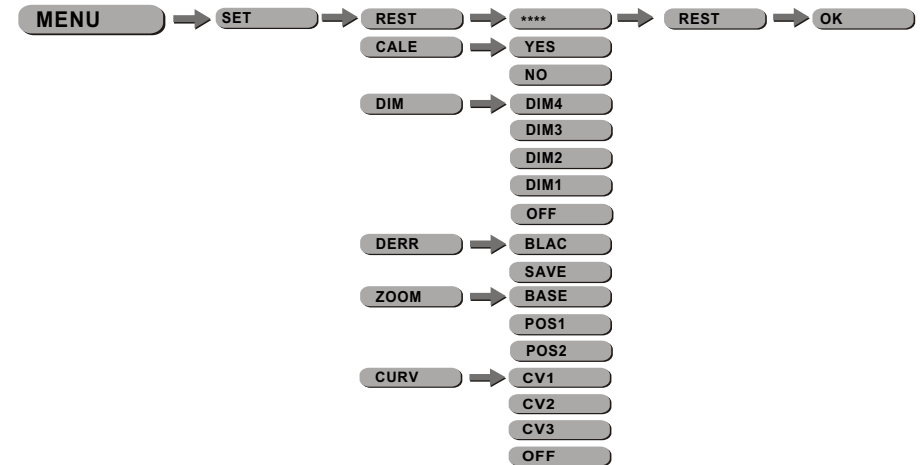
- Enter the **DMX** mode to set the DMX ADDRESS.

3.6 PERS



- Enter **PERS** and select **STP.W** / **STP.P** / **UNO** DMX mode

3.7 SPECIAL SETTINGS



- [SET]...this menu allows the user to adjust key operation settings for this fixture.
- In order to reset custom modes to default values select [REST] .
- [CALE] enables user to reset all values.
- Select [DIM1], [DIM2],[DIM3] or [DIM4]for different dimming speeds. ([DIM4]is the slowest dimming speed)
- [DERR] Choose[Save] in order to save the last DMX data incase of DMX signal error.Choose[Black] in order to blackout in case of DMX signal error.
- [ZOOM]Calibrate the position of POS1&POS2.Set position as 0 for smallest zoom position. selectf BASE for default zoom position (zoom=0)
- [CURV] allows the user to adjust the shape of the dimming curve. See the CURV chart to understand more about actual dimming curves.