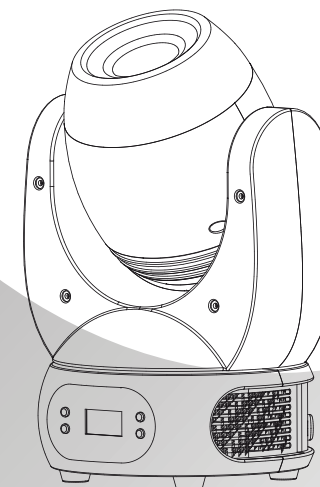


CHANNEL	VALUE	FUNCTION
14	120 ↔ 127	ROTATINGGOBO 6 SHAKE (SPEED 1->100%)
	128 ↔ 135	ROTATINGGOBO 7 SHAKE (SPEED 1->100%)
	136 ↔ 143	ROTATINGGOBO 8 SHAKE (SPEED 1->100%)
	144 ↔ 196	ROTATING GOBO FLOWING WATER EFFECT (SPEED100% ->1)
	197 ↔ 202	WHITE
	203 ↔ 255	ROTATING GOBO FLOWING WATER EFFECT (SPEED 1->100%)
15		GOBO ROTATION
	0 ↔ 125	ROTATINGGOBO ANGLE ADJUSTMENT (0->360°)
	126 ↔ 165	ROTATINGGOBOSHAKE (SPEED 1->100%)
	166 ↔ 170	STOP
	171 ↔ 210	ROTATINGGOBO POSITIVE ROTATION (SPEED 100%->1)
	211 ↔ 215	STOP
	216 ↔ 255	ROTATINGGOBO REVERSE ROTATION (SPEED 1->100%)
16		PRISM
	0 ↔ 9	PRISM OFF
	10 ↔ 255	PRISM ON
17		CONTROL
	0 ↔ 9	NO FUNCTION
	10 ↔ 19	PAN/TILTBLACK ACTIVATED
	20 ↔ 29	PAN/TILTBLACK DEACTIVATED
	30 ↔ 39	FAN AUTO
	40 ↔ 49	FAN SLOW
	50 ↔ 59	FAN NORMAL
	60 ↔ 69	FAN FAST
	70 ↔ 79	AUTO1
	80 ↔ 89	AUTO2
	90 ↔ 99	CUSTOM
	100 ↔ 109	TEST
	110 ↔ 119	RESET
	120 ↔ 129	NO FUNCTION
	130 ↔ 139	DIM0
	140 ↔ 149	DIM1
	150 ↔ 159	DIM2
160 ↔ 169	DIM3	
170 ↔ 179	DIM4	
180 ↔ 255	NO FUNCTION	

GEMINI 100XS

USER MANUAL



SS650

SILVER STAR
Professional Lighting

www.yajiang.cn

RD-SS650-SM-00(SS-I)

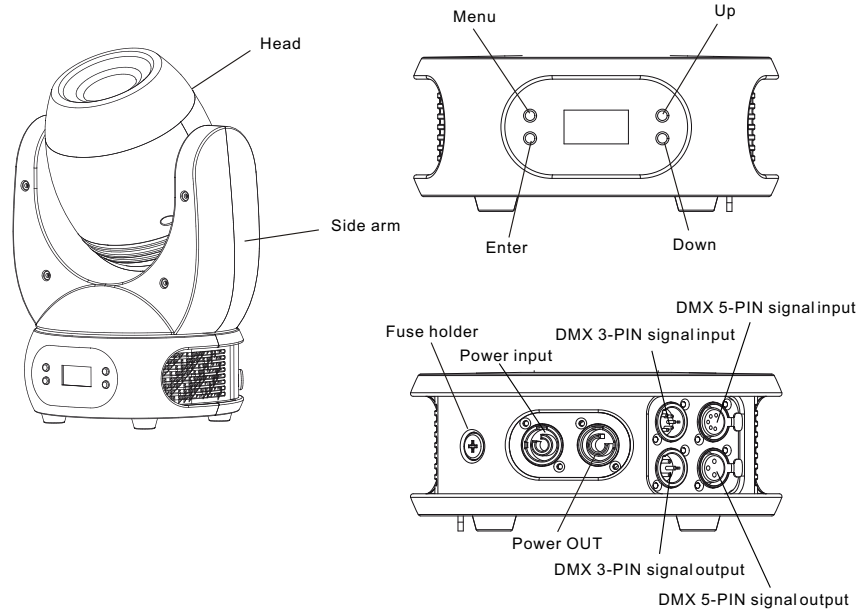
1 PRODUCT SPECIFICATIONS

1.1 PRODUCT SPECIFICATIONS

Electrical

- ◆ Voltage: AC100~240V, 50/60Hz
- ◆ Max Power: 130W
- ◆ Size: 250x210x353mm
- ◆ Weight: 7.2Kg

1.2 PRODUCT FEATURES



CHANNEL	VALUE	FUNCTION
		CMY MARCOS
	0 ↔ 9	NO FUNCTION
	10 ↔ 29	CYAN 100% / MAGENTA UP / YELLOW 0%
	30 ↔ 49	CYAN DOWN / MAGENTA 100% / YELLOW 0%
	50 ↔ 69	CYAN 0% / MAGENTA 100% / YELLOW UP
	70 ↔ 89	CYAN 0% / MAGENTA DOWN / YELLOW 100%
	90 ↔ 109	CYAN UP / MAGENTA 0% / YELLOW 100%
	110 ↔ 129	CYAN 100% / MAGENTA 0% / YELLOW DOWN
11	130 ↔ 149	CYAN 100% / MAGENTA UP / YELLOW 0%
	150 ↔ 169	NO FUNCTION
	170 ↔ 189	NO FUNCTION
	190 ↔ 199	2700K
	200 ↔ 209	3200K
	210 ↔ 219	4200K
	220 ↔ 229	5600K
	230 ↔ 239	6500K
	240 ↔ 255	8000K
		STROBE
	0 ↔ 9	NO FUNCTION
	10 ↔ 99	STROBE FROM (SLOD TO FAST , 0-25Hz)
	100 ↔ 109	NO FUNCTION
12	110 ↔ 179	LIGHTNING STROBE
	180 ↔ 189	NO FUNCTION
	190 ↔ 255	RANDOM SROBE
13	0 ↔ 255	FOCUS
		ROTATING GOBO
	0 ↔ 7	WHITE
	8 ↔ 15	GOBO 1
	16 ↔ 23	GOBO 2
	24 ↔ 31	GOBO 3
	32 ↔ 39	GOBO 4
	40 ↔ 47	GOBO 5
	48 ↔ 55	GOBO 6
	56 ↔ 63	GOBO 7
	64 ↔ 71	GOBO 8
14	72 ↔ 79	WHITE
	80 ↔ 87	ROTATING GOBO 1 SHAKE (SPEED 1->100%)
	88 ↔ 95	ROTATING GOBO 2 SHAKE (SPEED 1->100%)
	96 ↔ 103	ROTATING GOBO 3 SHAKE (SPEED 1->100%)
	104 ↔ 111	ROTATING GOBO 4 SHAKE (SPEED 1->100%)
	112 ↔ 119	ROTATING GOBO 5 SHAKE (SPEED 1->100%)

CHANNEL	VALUE	FUNCTION
		CONTROL
	0 ↔ 9	NO FUNCTION
	10 ↔ 19	PAN/TILTBLACK ACTIVATED
	20 ↔ 29	PAN/TILTBLACK DEACTIVATED
	30 ↔ 39	FAN AUTO
	40 ↔ 49	FAN SLOW
	50 ↔ 59	FAN NORMAL
	60 ↔ 69	FAN FAST
	70 ↔ 79	AUTO1
	80 ↔ 89	AUTO2
	90 ↔ 99	CUSTOM
23	100 ↔ 109	TEST
	110 ↔ 119	RESET
	120 ↔ 129	NO FUNCTION
	130 ↔ 139	DIM0
	140 ↔ 149	DIM1
	150 ↔ 159	DIM2
	160 ↔ 169	DIM3
	170 ↔ 179	DIM4
	180 ↔ 255	NO FUNCTION

1.3 SAFETY WARNING

IMPORTANT:

- This product must be installed by a qualified professional.
- All maintenance must be carried out by a qualified electrician.
- A minimum distance of 0.5m must be maintained between the equipment and a combustible surface.
- The product must always be operated in a well ventilated area.
- DO NOT stare directly into the LED light source.
- Always disconnect the power before carrying out any maintenance.
- The earth must always be connected to the ground.
- Ensure that all parts of the equipment are kept clean and free of dust.

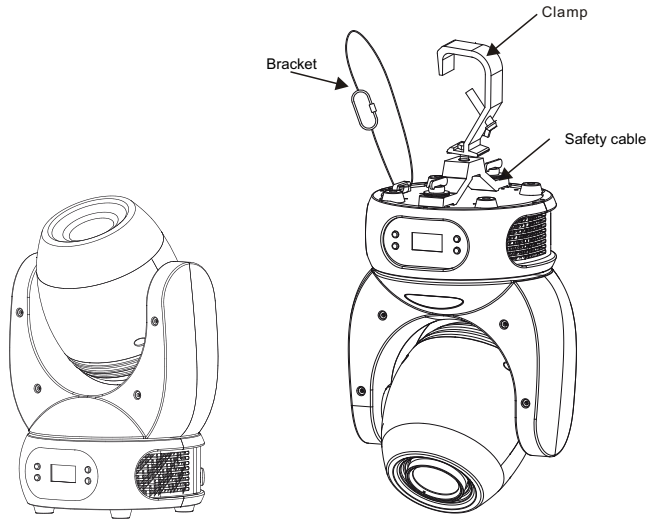
CMY

CHANNEL	VALUE	FUNCTION
1	0 ↔ 255	PAN
2	0 ↔ 255	PAN FINE
3	0 ↔ 255	TITL
4	0 ↔ 255	TITL FINE
5	0 ↔ 255	PT SPEED
6		CONTINUOUS PAN
	0	STOP
	1 ↔ 127	CLOCKWISE ROTATION SLOW TO FAST
	128 ↔ 254	COUNTERCLOCKWISE ROTATION FAST TO SLOW
	255	STOP
7	0 ↔ 255	CYAN
8	0 ↔ 255	MAGENTA
9	0 ↔ 255	YELLOW
10	0 ↔ 255	DIMMER

2 INSTALLATION

2.1 MOUNTING:

- The fixture can be mounted in any position.
- Always ensure that mounting surface can withstand 10 times the weight of the fixture.
- Always use a safety cable when mounting the fixture in any elevated position.



IMPORTANT SAFETY NOTE!!

Always use a safety cable when installing this unit!!
Be sure that the safety cable is connected to a solid load-bearing structure.

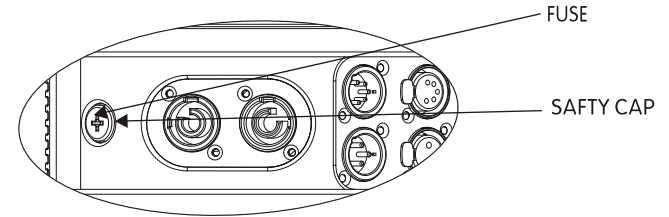
CHANNEL	VALUE	FUNCTION
19	0 ↔ 255	FOCUS
		ROTATING GOBO
	0 ↔ 7	WHITE
	8 ↔ 15	GOBO 1
	16 ↔ 23	GOBO 2
	24 ↔ 31	GOBO 3
	32 ↔ 39	GOBO 4
	40 ↔ 47	GOBO 5
20	48 ↔ 55	GOBO 6
	56 ↔ 63	GOBO 7
	64 ↔ 71	GOBO 8
	72 ↔ 79	WHITE
	80 ↔ 87	ROTATING GOBO 1 SHAKE (SPEED 1->100%)
	88 ↔ 95	ROTATING GOBO 2 SHAKE (SPEED 1->100%)
	96 ↔ 103	ROTATING GOBO 3 SHAKE (SPEED 1->100%)
	104 ↔ 111	ROTATING GOBO 4 SHAKE (SPEED 1->100%)
	112 ↔ 119	ROTATING GOBO 5 SHAKE (SPEED 1->100%)
	120 ↔ 127	ROTATING GOBO 6 SHAKE (SPEED 1->100%)
	128 ↔ 135	ROTATING GOBO 7 SHAKE (SPEED 1->100%)
	136 ↔ 143	ROTATING GOBO 8 SHAKE (SPEED 1->100%)
21	144 ↔ 196	ROTATING GOBO FLOWING WATER EFFECT (SPEED 100% ->1)
	197 ↔ 202	WHITE
	203 ↔ 255	ROTATING GOBO FLOWING WATER EFFECT (SPEED 1->100%)
		GOBO ROTATION
	0 ↔ 125	ROTATING GOBO ANGLE ADJUSTMENT (0->360°)
	126 ↔ 165	ROTATING GOBO SHAKE (SPEED 1->100%)
	166 ↔ 170	STOP
22	171 ↔ 210	ROTATING GOBO POSITIVE ROTATION (SPEED 100%->1)
	211 ↔ 215	STOP
	216 ↔ 255	ROTATING GOBO REVERSE ROTATION (SPEED 1->100%)
		PRISM
22	0 ↔ 9	PRISM OFF
	10 ↔ 255	PRISM ON

PERSON2

CHANNEL	VALUE	FUNCTION
1	0 ↔ 255	PAN
2	0 ↔ 255	PAN FINE
3	0 ↔ 255	TITL
4	0 ↔ 255	TITL FINE
5	0 ↔ 255	PT SPEED
6		CONTINUOUS PAN
	0	STOP
	1 ↔ 127	CLOCKWISE ROTATION SLOW TO FAST
	128 ↔ 254	COUNTERCLOCKWISE ROTATION FAST TO SLOW
	255	STOP
7	0 ↔ 255	RED
8	0 ↔ 255	RED FINE
9	0 ↔ 255	GREEN
10	0 ↔ 255	GREEN FINE
11	0 ↔ 255	BLUE
12	0 ↔ 255	BLUE FINE
13	0 ↔ 255	WHTIE
14	0 ↔ 255	WHTIE FINE
15	0 ↔ 255	DIMMER
16	0 ↔ 255	DIMMER FINE
17		MARCOS
	0 ↔ 9	NO FUNCTION
	10 ↔ 29	RED 100% / GREEN UP / BLUE 0%
	30 ↔ 49	RED DOWN / GREEN 100% / BLUE 0%
	50 ↔ 69	RED 0% / GREEN 100% / BLUE UP
	70 ↔ 89	RED 0% / GREEN DOWN / BLUE 100%
	90 ↔ 109	RED UP / GREEN 0% / BLUE 100%
	110 ↔ 129	RED 100% /GREEN 0%/BLUE DOWN
	130 ↔ 149	RED 100%/GREEN UP/BLUE UP
	150 ↔ 169	RED DOWN/GREEN DOWN/BLUE 100%
	170 ↔ 189	ALL LED AT FULL OUTPUT
	190 ↔ 199	2700K
	200 ↔ 209	3200K
	210 ↔ 219	4200K
	220 ↔ 229	5600K
	230 ↔ 239	6500K
240 ↔ 255	8000K	
18		STROBE
	0 ↔ 9	NO FUNCTION
	10 ↔ 99	STROBE FROM (SLOD TO FAST , 0-25Hz)
	100 ↔ 109	NO FUNCTION
	110 ↔ 179	LIGHTNING STROBE
	180 ↔ 189	NO FUNCTION
190 ↔ 255	RANDOM SROBE	

2.2 FUSE REPLACEMENT

- Remove the safety cap by a screwdriver.
- Fetch the old fuse from safety cap.
- Install a new fuse.
- Install the safety cap.



2.3 POWER CONNECTIONS

- 220~240V: 13 units may be connected in series
- 110~120V: 7 units may be connected in series

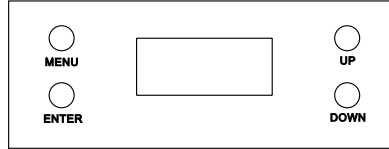
Note:

If the signal cable is over 60m between the DMX512 controller and fixture or between two fixtures, then a DMX signal amplifier is needed as well.

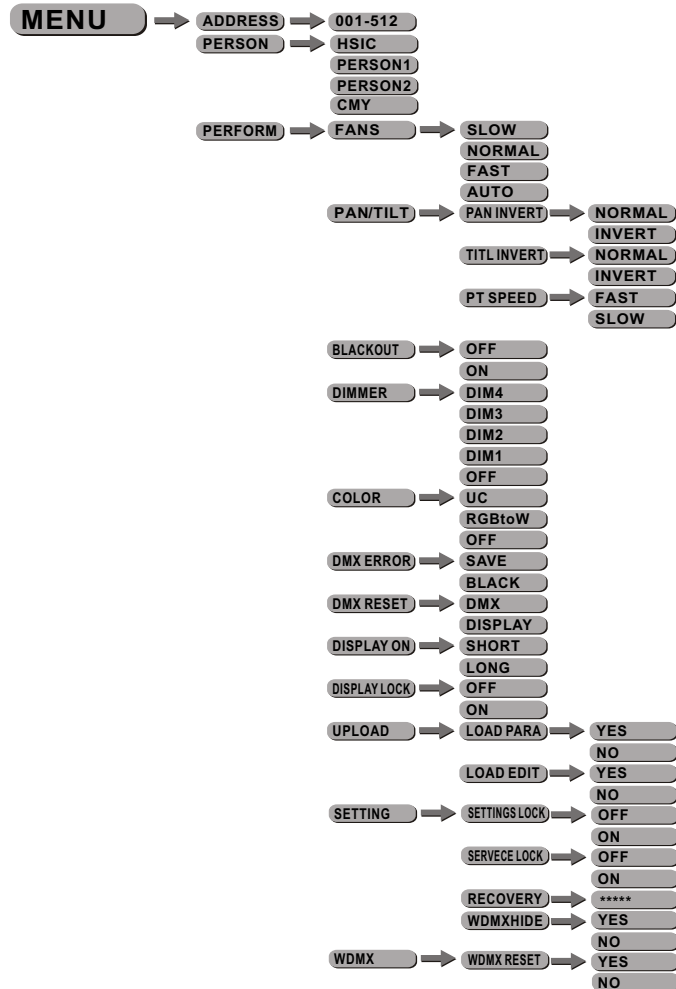
3 DISPLAY PANEL OPERATION

3.1 DISPLAY OPERATION

- ◆ MENU: BACK;
- ◆ ENTER: ENTER OR SAVE;
- ◆ DOWN: DOWN;
- ◆ UP: UP;

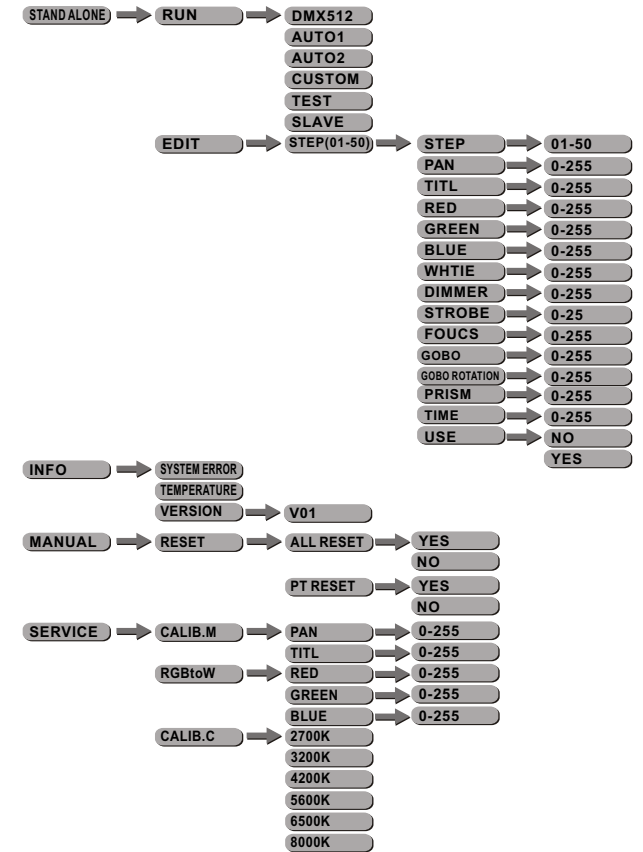


3.2 MENU MAP



CHANNEL	VALUE	FUNCTION
		CONTROL
	0 ↔ 9	NO FUNCTION
	10 ↔ 19	PAN/TILTBLACK ACTIVATED
	20 ↔ 29	PAN/TILTBLACK DEACTIVATED
	30 ↔ 39	FAN AUTO
	40 ↔ 49	FAN SLOW
	50 ↔ 59	FAN NORMAL
	60 ↔ 69	FAN FAST
	70 ↔ 79	AUTO1
	80 ↔ 89	AUTO2
	90 ↔ 99	CUSTOM
18	100 ↔ 109	TEST
	110 ↔ 119	RESET
	120 ↔ 129	NO FUNCTION
	130 ↔ 139	DIM0
	140 ↔ 149	DIM1
	150 ↔ 159	DIM2
	160 ↔ 169	DIM3
	170 ↔ 179	DIM4
	180 ↔ 255	NO FUNCTION

CHANNEL	VALUE	FUNCTION
15		ROTATING GOBO
	0 ↔ 7	WHITE
	8 ↔ 15	GOBO 1
	16 ↔ 23	GOBO 2
	24 ↔ 31	GOBO 3
	32 ↔ 39	GOBO 4
	40 ↔ 47	GOBO 5
	48 ↔ 55	GOBO 6
	56 ↔ 63	GOBO 7
	64 ↔ 71	GOBO 8
	72 ↔ 79	WHITE
	80 ↔ 87	ROTATINGGOBO 1 SHAKE (SPEED 1->100%)
	88 ↔ 95	ROTATINGGOBO 2 SHAKE (SPEED 1->100%)
	96 ↔ 103	ROTATINGGOBO 3 SHAKE (SPEED 1->100%)
	104 ↔ 111	ROTATINGGOBO 4 SHAKE (SPEED 1->100%)
	112 ↔ 119	ROTATINGGOBO 5 SHAKE (SPEED 1->100%)
	120 ↔ 127	ROTATINGGOBO 6 SHAKE (SPEED 1->100%)
	128 ↔ 135	ROTATINGGOBO 7 SHAKE (SPEED 1->100%)
	136 ↔ 143	ROTATINGGOBO 8 SHAKE (SPEED 1->100%)
	144 ↔ 196	ROTATING GOBO FLOWING WATER EFFECT (SPEED100% ->1)
197 ↔ 202	WHITE	
203 ↔ 255	ROTATING GOBO FLOWING WATER EFFECT (SPEED 1->100%)	
16		GOBO ROTATION
	0 ↔ 125	ROTATINGGOBO ANGLE ADJUSTMENT (0->360°)
	126 ↔ 165	ROTATINGGOBOSHAKE (SPEED 1->100%)
	166 ↔ 170	STOP
	171 ↔ 210	ROTATINGGOBO POSITIVE ROTATION (SPEED 100%->1)
	211 ↔ 215	STOP
216 ↔ 255	ROTATINGGOBO REVERSE ROTATION (SPEED 1->100%)	
17		PRISM
	0 ↔ 9	PRISM OFF
	10 ↔ 255	PRISM ON

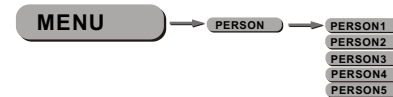


3.3 DMX512 SETTINGS



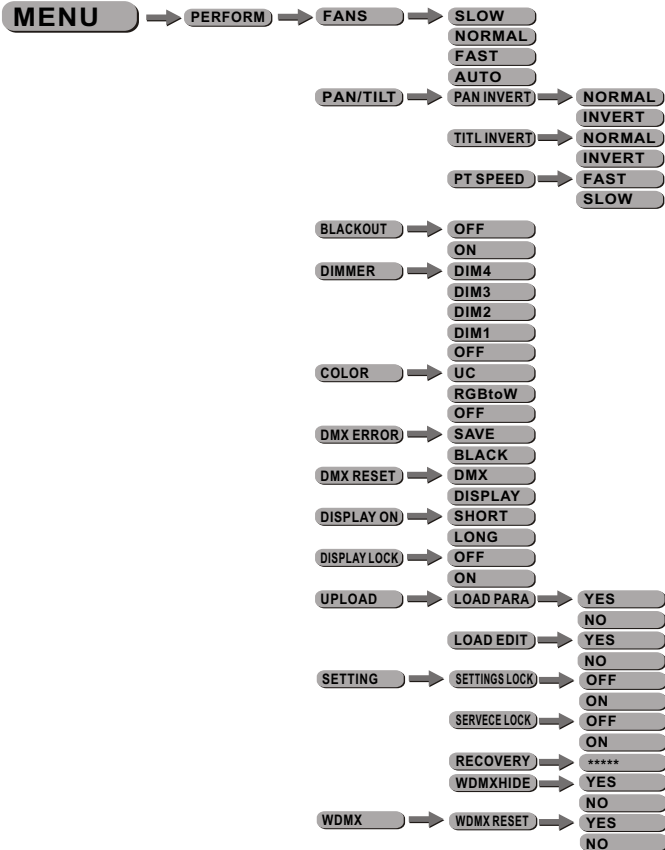
- Enter the **DMX** mode to set the DMX ADDRESS.

3.4 PERSONALITY



- Enter the **PERSONALITY** mode to select DMX mode: **HSIC** , **PERSON1** , **PERSON2** , **CMY** ,

3.5 PERFORM



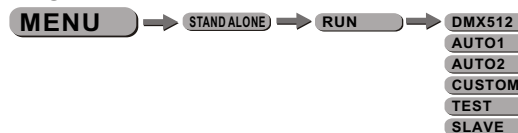
- Select **PERFORM** from the **SETTINGS** menu.
- **FANS** menu, select **Slow/Norm/Fast/Auto** as required fan speed.
- **PAN INVERT** menu, select **NORM/INVERT** for normal/inverted control of the PAN function
- **TILT INVERT** menu, select **NORM/INVERT** for normal/inverted control of the TILT function
- **PT SPEED** menu, select **Slow/Fast** as required PAN/TILT movement speed.
- **BLACKD** menu, select **OFF** for immediate activation of PAN/TILT blackout when selected using the control channel or **ON** for 3 second delay before activation.
- **DIMMER** menu for selection of **DIM1/DIM2/DIM3/DIM4/OFF** special dimming curves
- **COLOR** is for activate/unactivate the color calibration functions. When **RGBtoW** is selected, on RGB = 255,255,255, the color is displayed as calibrated in CAL2 -- RGBW. When **COLOR** is set **OFF**, on RGB = 255,255,255, the RGB values are not adjusted and the output is most powerful. When **UC** is selected, the RGB output are adjusted to a standard preset universal color which balances fixtures from different generations.

PERSON1		
CHANNEL	VALUE	FUNCTION
1	0 ↔ 255	PAN
2	0 ↔ 255	PAN FINE
3	0 ↔ 255	TITL
4	0 ↔ 255	TITL FINE
5	0 ↔ 255	PT SPEED
6		CONTINUOUS PAN
	0	STOP
	1 ↔ 127	CLOCKWISE ROTATION SLOW TO FAST
	128 ↔ 254	COUNTERCLOCKWISE ROTATION FAST TO SLOW
	255	STOP
7	0 ↔ 255	RED
8	0 ↔ 255	GREEN
9	0 ↔ 255	BLUE
10	0 ↔ 255	WHTIE
11	0 ↔ 255	DIMMER
12		MARCOS
	0 ↔ 9	NO FUNCTION
	10 ↔ 29	RED 100% /GREEN UP /BLUE 0%
	30 ↔ 49	RED DOWN /GREEN 100% /BLUE 0%
	50 ↔ 69	RED 0% /GREEN 100% /BLUE UP
	70 ↔ 89	RED 0% /GREEN DOWN /BLUE 100%
	90 ↔ 109	RED UP /GREEN 0% /BLUE 100%
	110 ↔ 129	RED 100% /GREEN 0% /BLUEDOWN
	130 ↔ 149	RED 100%/GREEN UP/BLUE UP
	150 ↔ 169	RED DOWN/GREEN DOWN/BLUE 100%
	170 ↔ 189	ALL LEDAT FULLOUTPUT
	190 ↔ 199	2700K
	200 ↔ 209	3200K
	210 ↔ 219	4200K
	220 ↔ 229	5600K
	230 ↔ 239	6500K
240 ↔ 255	8000K	
13		STROBE
	0 ↔ 9	NO FUNCTION
	10 ↔ 99	STROBE FROM (SLOD TO FAST , 0-25Hz)
	100 ↔ 109	NO FUNCTION
	110 ↔ 179	LIGHTNING STROBE
	180 ↔ 189	NO FUNCTION
	190 ↔ 255	RANDOM SROBE
14	0 ↔ 255	FOCUS

CHANNEL	VALUE	FUNCTION
	72 ↔ 79	WHITE
	80 ↔ 87	ROTATINGGOBO 1 SHAKE (SPEED 1->100%)
	88 ↔ 95	ROTATINGGOBO 2 SHAKE (SPEED 1->100%)
	96 ↔ 103	ROTATINGGOBO 3 SHAKE (SPEED 1->100%)
	104 ↔ 111	ROTATINGGOBO 4 SHAKE (SPEED 1->100%)
14	112 ↔ 119	ROTATINGGOBO 5 SHAKE (SPEED 1->100%)
	120 ↔ 127	ROTATINGGOBO 6 SHAKE (SPEED 1->100%)
	128 ↔ 135	ROTATINGGOBO 7 SHAKE (SPEED 1->100%)
	136 ↔ 143	ROTATINGGOBO 8 SHAKE (SPEED 1->100%)
	144 ↔ 196	ROTATING GOBO FLOWING WATER EFFECT (SPEED100% ->1)
	197 ↔ 202	WHITE
	203 ↔ 255	ROTATING GOBO FLOWING WATER EFFECT (SPEED 1->100%)
		GOBO ROTATION
	0 ↔ 125	ROTATINGGOBO ANGLE ADJUSTMENT (0->360°)
	126 ↔ 165	ROTATINGGOBOSHAKE (SPEED 1->100%)
15	166 ↔ 170	STOP
	171 ↔ 210	ROTATINGGOBO POSITIVE ROTATION (SPEED 100%->1)
	211 ↔ 215	STOP
	216 ↔ 255	ROTATINGGOBO REVERSE ROTATION (SPEED 1->100%)
16		PRISM
	0 ↔ 9	PRISM OFF
	10 ↔ 255	PRISM ON
		CONTROL
	0 ↔ 9	NO FUNCTION
	10 ↔ 19	PAN/TILTBLACK ACTIVATED
	20 ↔ 29	PAN/TILTBLACK DEACTIVATED
	30 ↔ 39	FAN AUTO
	40 ↔ 49	FAN SLOW
	50 ↔ 59	FAN NORMAL
	60 ↔ 69	FAN FAST
	70 ↔ 79	AUTO1
	80 ↔ 89	AUTO2
	90 ↔ 99	CUSTOM
17	100 ↔ 109	TEST
	110 ↔ 119	RESET
	120 ↔ 129	NO FUNCTION
	130 ↔ 139	DIM0
	140 ↔ 149	DIM1
	150 ↔ 159	DIM2
	160 ↔ 169	DIM3
	170 ↔ 179	DIM4
	180 ↔ 255	NO FUNCTION

- **[DMXERROR]** menu, select **[SAVE]** to maintain last command in case ofDMX error or **[BLACK]** for blackout
- **[DMXRESET]** menu, select **[DMX]** to allow remote reset using DMX controller or **[DISPLAY]** for reset only available at on-fixture display
- **[DISPLAY ON]** menu, select **[LONG/SHORT/DISPLAY LOCK]** for length of time for display backlight
- **[UPLOAD]** upload data setting, choose **[LOAD PARA]** to upload data, choose **[NO]** means do notupload data choose **[YES]** means upload data, choose **[LOAD EDIT]** to program, choose **[NO]** means do notupload, choose **[YES]** means upload
- **[SERVICE]** is a protect bottom, **[SETTINGS LOCK]** is the menu lock bottom, choose **[OFF]** means the menu lock bottom is off, choose **[ON]** means the menu lock bottom is on **[RECOVERY]** is the recover to default value. Press **[ENTER]** to password setting, press correct password **[UP+DOWN+UP+DOWN]** ,and press **[ENTER]** ,if password is correct, display will show **[OK]** ,
- **[WDMXHIDE]** is the wireless DMX hidden setting, choose **[NO]** means display, choose **[YES]** means hide. **[WDMX]** is the data setting, **[WDMX RESET]** is the wireless recover, choose **[NO]** means do notrecover, choose **[YES]** means recover.

3.6 RUN



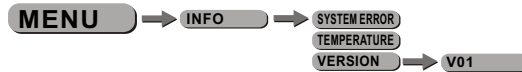
- Enter the **[STAND ALONE]** menu to select from **[DMX512/AUTO 1/AUTO 2/CUSTOM/TEST/SLAVE]** run modes

3.7 EDIT



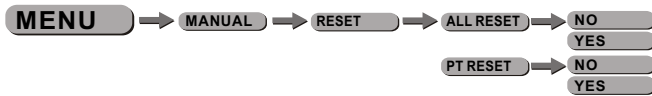
- Enter the **[EDIT]** mode to edit the custom programs by adjusting the value of **[PAN]** , **[TILT]** , **[RED]** , **[GREEN]** , **[BLUE]** , **[WHITE]** , **[DIMMER]** , **[STROBE]** , **[FOUCS]** , **[GOBO]** , **[GOBO ROTATION]** , **[PRISM]** , **[TIME]**
- Enter **[USE]** and select **[YES]** to run the steps user need.
Note: if user want to circulate the created steps, please set the last step ‘s **[Time]** as 0
For example, there are 3 steps, the setting should be like belowed:
 - Step 1 **[Time]** = 4 **[Use]** = Yes
 - Step 2 **[Time]** = 5 **[Use]** = Yes
 - Step 3 **[Time]** = 0 **[Use]** = Yes

3.8 INFO



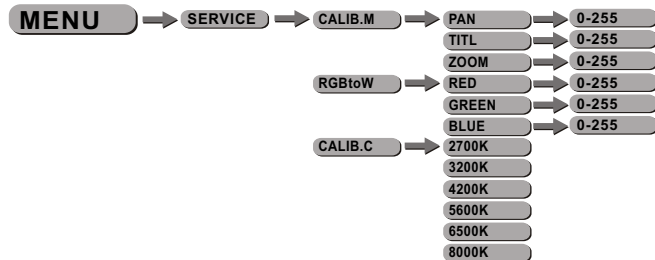
- push **【OK】** button into the information search mode in menu **【INFO】** , push **【up/down】** to choose item.
- **【SYSTEM ERROR】** is the SYSTEMERROR information setting, in **【TEMPERATURE】** mode could check the fixture temperature, in **【VERSION】** could check the version of the software

3.9 MANUAL



- Select **【RESET】** from the **【MANUAL】** menu
- **【ALL RESET】** menu, select **【YES/NO】** to carry out full fixture reset
- **【PT RESET】** menu, select **【YES/NO】** to carry out PAN/TILT reset

3.10 SERVICE



- Select **【CALIB.M】** from the **【SERVICE】** menu in order to calibrate the motors
- Adjust the values of the **【PAN/TILT/ZOOM】** motors in order to calibrate the start motor position
- Enter the **【RGBtoW】** to adjust the RGB parameter to make different whites.
- When the new setting is activated, the DMX controller choose RGB = 255,255,255 the white color will be made by the actual RGB values on the **【RGBtoW】** .
- Enter the **【CALIB】** to select white color of different color temperature.
- There are 11 pre-programmed White colors plus RGB TO WHITE and can be edited by using **【RED】** , **【GREEN】** , **【BLUE】** & **【WHITE】** .

4 USING A DMX512 CONTROLLER

4.1 CHANNEL ASSIGNMENT

- Note: This product have four DMX512 channel configuration: **【HSIC】** , **【PERSON1】** , **【PERSON2】** , **【CMY】** .

HSIC

CHANNEL	VALUE	FUNCTION
1	0 ↔ 255	PAN
2	0 ↔ 255	PAN FINE
3	0 ↔ 255	TITL
4	0 ↔ 255	TITL FINE
5	0 ↔ 255	PT SPEED
6		CONTINUOUS PAN
	0	STOP
	1 ↔ 127	CLOCKWISE ROTATION SLOW TO FAST
	128 ↔ 254	COUNTERCLOCKWISE ROTATION FAST TO SLOW
	255	STOP
7	0 ↔ 255	INTENSIYT
8	0 ↔ 255	HUE
9	0 ↔ 255	HUE FINE
10	0 ↔ 255	SATURATION
11		CCT
	0 ↔ 9	NO FUNCTION
	10 ↔ 40	2700K
	41 ↔ 80	3200K
	81 ↔ 120	4200K
	121 ↔ 160	5600K
	161 ↔ 200	6500K
201 ↔ 255	8000K	
12		STROBE
	0 ↔ 9	NO FUNCTION
	10 ↔ 99	STROBE FROM (SLOD TO FAST , 0-25Hz)
	100 ↔ 109	NO FUNCTION
	110 ↔ 179	LIGHTNING STROBE
13	180 ↔ 189	NO FUNCTION
	190 ↔ 255	RANDOM SROBE
	0 ↔ 255	FOCUS
		ROTATING GOBO
14	0 ↔ 7	WHITE
	8 ↔ 15	GOBO 1
	16 ↔ 23	GOBO 2
	24 ↔ 31	GOBO 3
	32 ↔ 39	GOBO 4
	40 ↔ 47	GOBO 5
	48 ↔ 55	GOBO 6
	56 ↔ 63	GOBO 7
64 ↔ 71	GOBO 8	