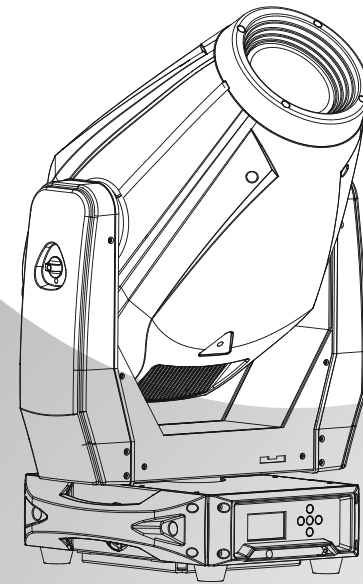


# **CYAN 24000XS**

## **USER MANUAL**



**SS652**

 **SILVER STAR**  
Professional Lighting

[www.yajiang.cn](http://www.yajiang.cn)

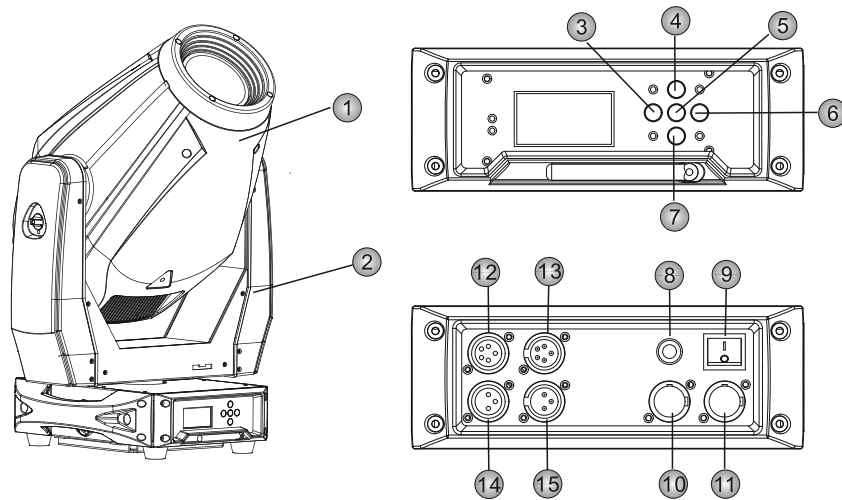
RD-SS652-SM-00(SS-I)

# 1 PRODUCT SPECIFICATIONS

## 1.1 PRODUCT SPECIFICATIONS

- ◆ Voltage: AC100~240V, 50/60Hz
- ◆ Max Power: 590W
- ◆ Size: 450X370X685mm
- ◆ Weight: 31kg

## 1.2 PRODUCT FEATURES



No	ITEM	No	ITEM	No	ITEM
1	Head	6	Roll	11	Power OUT
2	Side arm	7	Down	12	DMX 5-PIN signal input
3	Menu	8	Fuse holder	13	DMX 5-PIN signal output
4	Up	9	Switch	14	DMX 3-PIN signal input
5	Enter into	10	Power input	15	DMX 3-PIN signal output

CHANNEL	VALUE	EFFECT
22		THE EFFECT OF EACH WHEEL
	0 ⇄ 5	No function
	6 ⇄ 11	Macro1.1
	12 ⇄ 17	Macro1.2
	18 ⇄ 23	Macro1.3
	24 ⇄ 29	Macro1.4
	30 ⇄ 35	Macro1.5
	36 ⇄ 41	Macro1.6
	42 ⇄ 47	Macro1.7
	48 ⇄ 53	Macro1.8
	54 ⇄ 59	Macro1.9
	60 ⇄ 65	Macro1.10
	66 ⇄ 71	Macro1.11
	72 ⇄ 77	Macro1.12
	78 ⇄ 83	Macro1.13
	84 ⇄ 89	Macro1.14
	90 ⇄ 95	Macro1.15
	96 ⇄ 101	Macro1.16
	102 ⇄ 107	Macro1.17
	108 ⇄ 113	Macro1.18
	116 ⇄ 119	Macro1.19
	120 ⇄ 125	Macro1.20
	126 ⇄ 131	Macro1.21
	132 ⇄ 137	Macro1.22
	138 ⇄ 143	Macro1.23
	144 ⇄ 149	Macro1.24
	150 ⇄ 155	Macro1.25
	156 ⇄ 161	Macro1.26
	162 ⇄ 167	Macro1.27
	168 ⇄ 173	Macro1.28
	174 ⇄ 179	Macro1.29
	180 ⇄ 185	Macro1.30
186 ⇄ 191	Macro1.31	
192 ⇄ 197	Macro1.32	
198 ⇄ 203	Macro1.33	
204 ⇄ 209	Macro1.34	
210 ⇄ 215	Macro1.35	
216 ⇄ 221	Macro1.36	
222 ⇄ 227	Macro1.37	
228 ⇄ 233	Macro1.38	
234 ⇄ 239	Macro1.39	
240 ⇄ 245	Macro1.40	
246 ⇄ 255	No function	
23		FUNCTIONAL CONTROL
	0 ⇄ 10	No function
	11 ⇄ 25	Pan & tilt black-out(open) ( delay 3 seconds )
	26 ⇄ 40	Pan & tilt black-out(close) ( delay 3 seconds )
	41 ⇄ 55	DIM0 ( delay 3 seconds )
	56 ⇄ 70	DIM1 ( delay 3 seconds )
	71 ⇄ 85	DIM2 ( delay 3 seconds )
	86 ⇄ 100	DIM3 ( delay 3 seconds )
	101 ⇄ 115	DIM4 ( delay 3 seconds )
	116 ⇄ 130	Pan tilt speed mode ( delay 3 seconds )
	131 ⇄ 145	Pan tilt smooth mode ( delay 3 seconds )
	146 ⇄ 160	No function
	161 ⇄ 175	Lamplight ( delay 3 seconds )
	176 ⇄ 190	Focusing/zoom/frost/prism reset ( delay 3 seconds )
	191 ⇄ 205	Pan & tile reset ( delay 3 seconds )
	206 ⇄ 220	Pan & tile reset ( delay 3 seconds )
	221 ⇄ 255	No function ( delay 3 seconds )

## 1.3 SAFETY WARNING

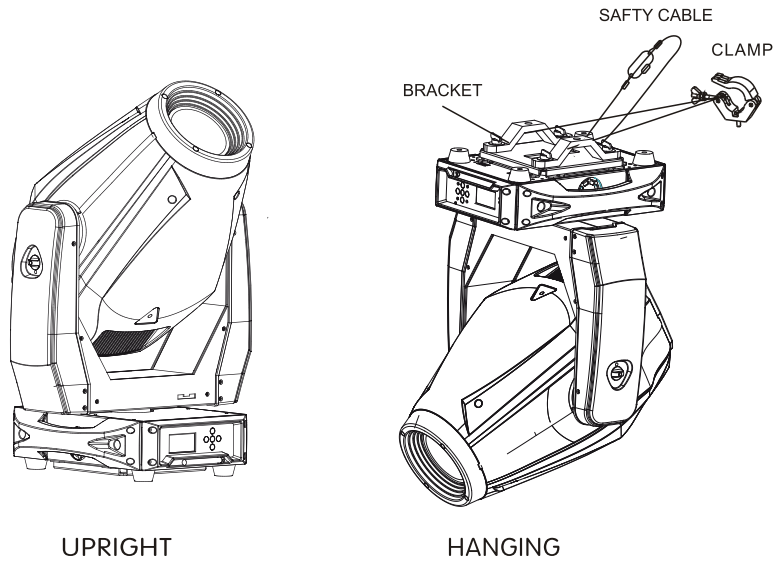
### IMPORTANT:

- This product must be installed by a qualified professional.
- All maintenance must be carried out by a qualified electrician.
- A minimum distance of 0.5m must be maintained between the equipment and a combustible surface.
- The product must always be operated in a well ventilated area.
- DO NOT stare directly into the LED light source.
- Always disconnect the power before carrying out any maintenance.
- The earth must always be connected to the ground.
- Ensure that all parts of the equipment are kept clean and free of dust.

## 2 INSTALLATION

### 2.1 MOUNTING:

- The fixture can be mounted in any position.
- Always ensure that mounting surface can withstand 10 times the weight of the fixture.
- Always use a safety cable when mounting the fixture in any elevated position.



CHANNEL	VALUE	EFFECT
13	0 ↔ 10	PRISM White
	11 ↔ 145	Prism insert and adjust the angle (0→360°)
	146 ↔ 150	Prism insert and stop rotation
	151 ↔ 200	Prism insert and positive rotation (speed 100%→1)
	201 ↔ 205	Prism insert and stop rotation
	206 ↔ 255	Prism insert and reverse rotation (speed 1→100%)
14	0	FROST LENS White
	1 ↔ 252	Frost lens (0-100%)
	252 ↔ 255	Frost lens (100%)
15	0 ↔ 127	IRIS Iris open→close (from large to small)
	128 ↔ 130	Iris close
	131 ↔ 171	Iris fade in and fast out (speed 1→100%)
	172 ↔ 211	Iris fast in and fade out (speed 1→100%)
	212 ↔ 251	Iris fade in and fast out randomly (speed 1→100%)
	252 ↔ 255	Iris fast in and fade out randomly (speed 1→100%)
16	0 ↔ 255	Zoom
17	0 ↔ 27	Auto focus 4 meter
	28 ↔ 55	6 meter
	56 ↔ 83	8 meter
	84 ↔ 111	10 meter
	112 ↔ 139	12 meter
	140 ↔ 167	14 meter
	168 ↔ 195	16 meter
	196 ↔ 223	18 meter
	224 ↔ 255	20 meter
	18	0 ↔ 255
19	0 ↔ 255	Focusing mini trim
20	0 ↔ 255	Dimming(0→100%)
21	0 ↔ 10	STROBE Strobe closed
	11 ↔ 155	Strobe from slow to fast (speed 1→100%) (0-20hz)
	156 ↔ 205	Thunder strobe (speed 1→100%)
	206 ↔ 255	Random strobe (speed 1→100%)

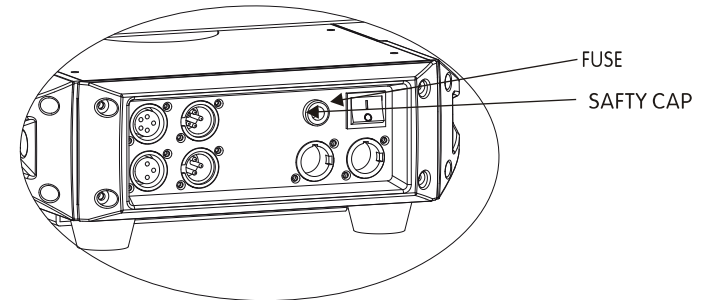
#### IMPORTANT SAFETY NOTE!!

Always use a safety cable when installing this unit!!  
Be sure that the safety cable is connected to a solid load-bearing structure.

CHANNEL	VALUE	EFFECT	
10		STATIC GOBO	
	0 ↔ 10	White	
	11 ↔ 20	Static gobo 1	
	21 ↔ 30	Static gobo 2	
	31 ↔ 40	Static gobo 3	
	41 ↔ 50	Static gobo 4	
	51 ↔ 60	Static gobo 5	
	61 ↔ 70	Static gobo 6	
	71 ↔ 80	Static gobo 7	
	81 ↔ 90	Static gobo 8	
	91 ↔ 100	Static gobo 1 shake ( speed 1->100% )	
	101 ↔ 110	Static gobo 2shake ( speed 1->100% )	
	111 ↔ 1120	Static gobo 3shake ( speed 1->100% )	
	121 ↔ 130	Static gobo 4 shake ( speed 1->100% )	
	131 ↔ 140	Static gobo 5 shake ( speed 1->100% )	
	141 ↔ 150	Static gobo 6shake ( speed 1->100% )	
	151 ↔ 160	Static gobo 7shake ( speed 1->100% )	
	161 ↔ 170	Static gobo 8 shake ( speed 1->100% )	
	171 ↔ 210	Satic gobo flowing water effect ( speed100% ->1)	
	211 ↔ 215	Stop	
216 ↔ 255	Satic gobo flowing water effect ( speed 1->100% )		
11		ROTATING GOBO	
	0 ↔ 10	White	
	11 ↔ 20	Gobo 1	
	21 ↔ 30	Gobo 2	
	31 ↔ 40	Gobo 3	
	41 ↔ 50	Gobo 4	
	51 ↔ 60	Gobo 5	
	61 ↔ 70	Gobo 6	
	71 ↔ 80	White	
	81 ↔ 90	Rotating gobo 1 shake ( speed 1->100% )	
	91 ↔ 100	Rotating gobo 2 shake ( speed 1->100% )	
	101 ↔ 110	Rotating gobo 3 shake ( speed 1->100% )	
	111 ↔ 120	Rotating gobo 4 shake ( speed 1->100% )	
	121 ↔ 130	Rotating gobo 5 shake ( speed 1->100% )	
	131 ↔ 190	Rotating gobo 6 shake ( speed 1->100% )	
	191 ↔ 195	White	
	191 ↔ 195	Rotating gobo flowing water effect ( speed 1->100% )	
	12		GOBO ROTATION
		0 ↔ 119	Rotating gobo angle adjustment ( 0->360° )
		120 ↔ 125	Stop
126 ↔ 165		Rotating gaboshake ( speed 1->100% )	
166 ↔ 170		Stop	
171 ↔ 210		Rotating gobo positive rotation ( speed 100%->1)	
211 ↔ 215		Stop	
216 ↔ 255		Rotating gobo reverse rotation ( speed 1->100% )	

## 2.2 FUSE REPLACEMENT

- Remove the safety cap by a screwdriver.
- Fetch the old fuse from safety cap.
- Install a new fuse.
- Install the safety cap.



## 2.3 POWER CONNECTIONS

@ 220V: 4 units may be connected in series

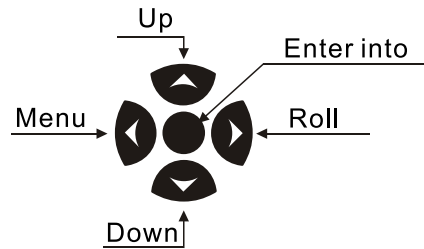
@ 110V: 2 units may be connected in series

**Note:**

If the signal cable is over 60m between the DMX512 controller and fixture or between two fixtures, then a DMX signal amplifier is needed as well.

# 3 DISPLAY PANEL OPERATION

## 3.1 DISPLAY OPERATION



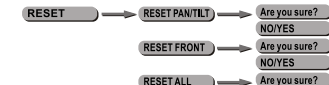
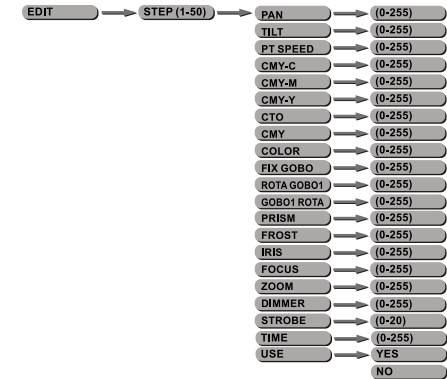
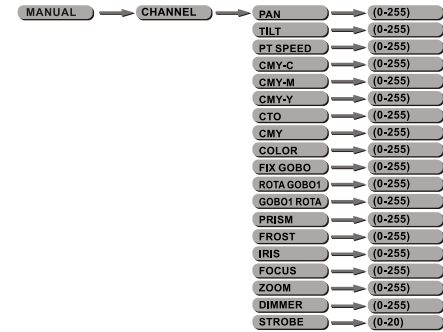
## 3.2 MENU MAP



CHANNEL	VALUE	EFFECT
8	110 ↔ 117	R42 - Deep Salmon
	118 ↔ 125	R44 - Middle Rose
	126 ↔ 133	R349 - Fisher Fuchsia
	134 ↔ 141	R54 - Special Lavender
	142 ↔ 149	R64 - Light Steel Blue
	150 ↔ 157	R364 - Blue Bell
	158 ↔ 165	R65 - Daylight Blue
	166 ↔ 173	R80 - Primary Blue
	174 ↔ 181	R81 - Urban Blue
	182 ↔ 189	R82 - Surprise Blue
	190 ↔ 197	R382 - Congo Blue
	198 ↔ 205	R83 - Medium Blue
	206 ↔ 213	R383 - Sapphire Blue
	214 ↔ 221	R91- Primary Green
	222 ↔ 229	R92 - Turquoise
230 ↔ 237	R93 - Blue Green	
238 ↔ 245	R393 - Emerald Green	
246 ↔ 253	R90 - Dark Yellow Green	
254 ↔ 255	No Function	
9		COLOR
	0 ↔ 10	White
	11 ↔ 19	White →Colour1
	20 ↔ 20	Colour1
	21 ↔ 29	Colour1→Colour2
	30 ↔ 30	Colour2
	31 ↔ 39	Colour2→Colour3
	40 ↔ 40	Colour3
	41 ↔ 49	Colour3→Colour4
	50 ↔ 50	Colour4
	51 ↔ 59	Colour4→Colour5
	60 ↔ 60	Colour5
	61 ↔ 69	Colour5→Colour6
	70 ↔ 70	Colour6
	71 ↔ 79	Colour6→Colour7
	80 ↔ 80	Colour7
	81 ↔ 89	Colour7→White
	90 ↔ 95	White
	96 ↔ 103	Colour1
	104 ↔ 111	Colour2
	112 ↔ 119	Colour3
120 ↔ 127	Colour4	
128 ↔ 135	Colour5	
136 ↔ 143	Colour6	
144 ↔ 151	Colour7	
152 ↔ 203	Color wheel rainbow effect ( speed 100%→1)	
204 ↔ 209	stop ( speed 0% )	
210 ↔ 255	Color wheel rainbow effect ( speed 1→100% )	

PERSON2

CHANNEL	VALUE	EFFECT
1	0 ↔ 255	<b>PAN</b> 0~540°
2	0 ↔ 255	<b>TILT</b> 0~270°
3	0 ↔ 255	<b>PAN/TILT SPEED</b> From fast to slow
4	0 ↔ 255	CYAN WHITE->Cyan(0->100%)
5	0 ↔ 255	MAGENTA WHITE->Magenta(0->100%)
6	0 ↔ 255	YELLOW WHITE->Yellow(0->100%)
7	0	CTO WHITE
	1 ↔ 15	C19,M187,Y205 CTO: 3200k
	16 ↔ 30	C19,M176,Y200 CTO: 3400K
	31 ↔ 45	C120,M169,Y183 CTO: 3600K
	46 ↔ 60	C31,M154,Y168 CTO: 3800K
	61 ↔ 75	C22,M146,Y158 CTO: 4000K
	76 ↔ 90	C37,M138,Y153 CTO: 4200K
	91 ↔ 105	C52,M131,Y147 CTO: 4400K
	106 ↔ 120	C76,M118,Y136 CTO: 4600K
	121 ↔ 135	C86,M95,Y127 CTO: 4800K
	136 ↔ 150	C41,M72,Y115 CTO: 5000K
	151 ↔ 165	C41,M64,Y100 CTO: 5200K
	166 ↔ 180	C41,M58,Y84 CTO: 5400K
	181 ↔ 195	C41, M58, Y68 CTO: 5600K
	196 ↔ 210	C41, M58, Y54 CTO: 5800K
	211 ↔ 225	C 41, M58, Y38 CTO: 6000K
	226 ↔ 240	C41, M58, Y22 CTO: 6200K
241 ↔ 255	C0, M0, Y0 CTO: 6800K	
8	0 ↔ 5	CMY No Function
	6 ↔ 13	R4590 - CalColor 90 Yellow
	14 ↔ 21	R11 - Light Straw
	22 ↔ 29	R312 - Canary
	30 ↔ 37	R03 - Dark Bastard Amber
	38 ↔ 45	R18 - Flame
	46 ↔ 53	R20 - Medium Amber
	54 ↔ 61	R21 - Golden Amber
	62 ↔ 69	R26 - Light Red
	70 ↔ 77	R27 - Medium Red
	78 ↔ 85	R33 - No Color Pink
	86 ↔ 93	R337 - True Pink
	94 ↔ 101	R38 - Light Rose
	102 ↔ 109	R41 - Salmon



### 3.3 DMX ADDRESS (ADDRESS)



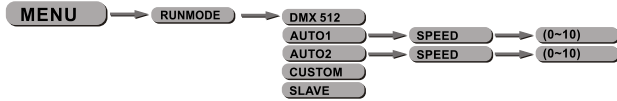
- Enter the **【DMX】** mode to set the DMX ADDRESS.

### 3.4 PERSONALITY (PERSON)



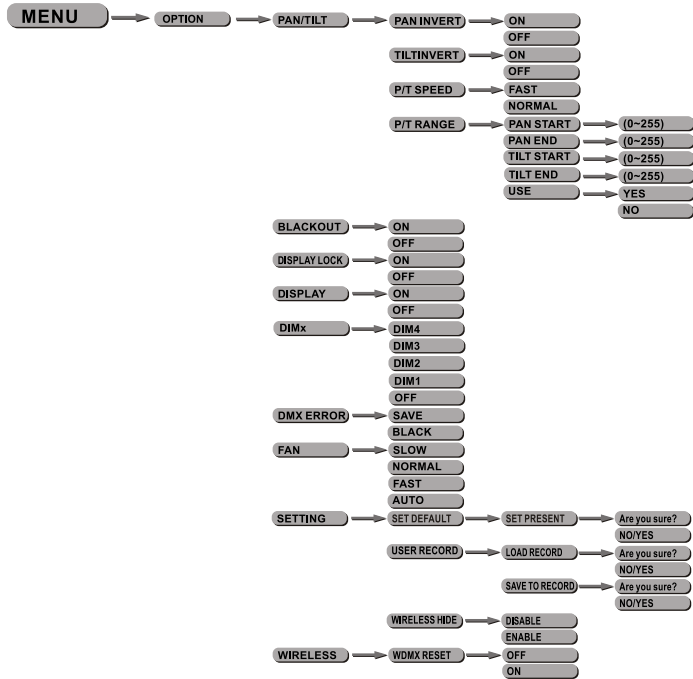
- Enter the **【PERSON】** mode to select DMX mode: **【PERSON1】** , **【PERSON2】** .

### 3.5 RUNMODE



- **【RUNMODE】** menu, select required run mode.


### 3.6 PERFORMANCE(OPTION)



- Push the button **【 OK 】** in the manual **【 OPTION 】** into the machine set, push **【 up/down 】** to choose item.
- Choose **【 INVERT PAN 】** (pan data reverse setting) in menu **【 PAN/TILT 】** , choose **【 ON 】** / **【 OFF 】** to open /close; Choose **【 INVERT TILT 】** (tilt data reverse setting) in menu **【 PAN/TILT 】** , choose **【 ON 】** / **【 OFF 】** to open /close; Choose the **【 P/T SPEED 】** mode to set the pan/tilt speed, **【 NORMAL 】** is for normal speed, **【 FAST 】** is the fast speed; Choose **【 P/T RANGE 】** mode to set the moving range of pan/tilt, **【 PAN START 】** is pan starting set, **【 PAN END 】** is the pan ending set, **【 TILT START 】** is the tilt starting set, **【 TILT END 】** is the tilt ending set, the value is **【 0~255 】** , choose **【 USE 】** to use the setting, choose **【 YES 】** / **【 NO 】** to work or not

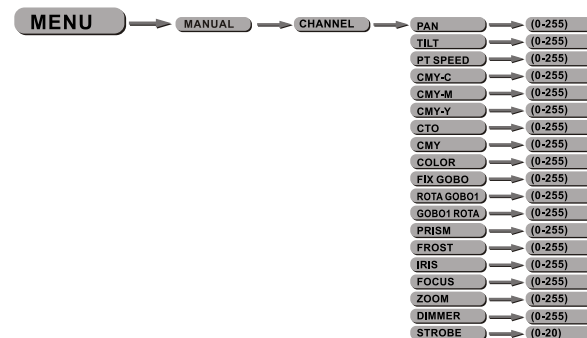
CHANNEL	VALUE	EFFECT
27	THE EFFECT OF EACH WHEEL	
	0 ↔ 5	No function
	6 ↔ 11	Macro1.1
	12 ↔ 17	Macro1.2
	18 ↔ 23	Macro1.3
	24 ↔ 29	Macro1.4
	30 ↔ 35	Macro1.5
	36 ↔ 41	Macro1.6
	42 ↔ 47	Macro1.7
	48 ↔ 53	Macro1.8
	54 ↔ 59	Macro1.9
	60 ↔ 65	Macro1.10
	66 ↔ 71	Macro1.11
	72 ↔ 77	Macro1.12
	78 ↔ 83	Macro1.13
	84 ↔ 89	Macro1.14
	90 ↔ 95	Macro1.15
	96 ↔ 101	Macro1.16
	102 ↔ 107	Macro1.17
	108 ↔ 113	Macro1.18
	116 ↔ 119	Macro1.19
	120 ↔ 125	Macro1.20
	126 ↔ 131	Macro1.21
	132 ↔ 137	Macro1.22
	138 ↔ 143	Macro1.23
	144 ↔ 149	Macro1.24
	150 ↔ 155	Macro1.25
156 ↔ 161	Macro1.26	
162 ↔ 167	Macro1.27	
168 ↔ 173	Macro1.28	
174 ↔ 179	Macro1.29	
180 ↔ 185	Macro1.30	
186 ↔ 191	Macro1.31	
192 ↔ 197	Macro1.32	
198 ↔ 203	Macro1.33	
204 ↔ 209	Macro1.34	
210 ↔ 215	Macro1.35	
216 ↔ 221	Macro1.36	
222 ↔ 227	Macro1.37	
228 ↔ 233	Macro1.38	
234 ↔ 239	Macro1.39	
240 ↔ 245	Macro1.40	
246 ↔ 255	No function	
28	FUNCTIONAL CONTROL	
	0 ↔ 10	No function
	11 ↔ 25	Pan & tilt black-out(OPEN) ( delay 3 seconds )
	26 ↔ 40	Pan & tilt black-out(CLOSE) ( delay 3 seconds )
	41 ↔ 55	DIM0 ( delay 3 seconds )
	56 ↔ 70	DIM1 ( delay 3 seconds )
	71 ↔ 85	DIM2 ( delay 3 seconds )
	86 ↔ 100	DIM3 ( delay 3 seconds )
	101 ↔ 115	DIM4 ( delay 3 seconds )
	116 ↔ 130	Pan tilt speed mode ( delay 3 seconds )
	131 ↔ 145	Pan tilt smooth mode ( delay 3 seconds )
	146 ↔ 160	No function
	161 ↔ 175	Lamplight ( delay 3 seconds )
	176 ↔ 190	Focusing/zoom/frost/prism reset ( delay 3 seconds )
	191 ↔ 205	Pan & tilt reset ( delay 3 seconds )
206 ↔ 220	Pan & tilt reset ( delay 3 seconds )	
221 ↔ 255	No function ( delay 3 seconds )	



CHANNEL	VALUE	EFFECT
15		PRISM
	0 ↔ 10	White
	11 ↔ 145	Prism insert and adjust the angle (0→360°)
	146 ↔ 150	Prism insert and stop rotation
	151 ↔ 200	Prism insert and positive rotation (speed 100%→1)
	201 ↔ 205	Prism insert and stop rotation
	206 ↔ 255	Prism insert and reverse rotation (speed 1→100%)
16		FROST LENS
	0	White
	1 ↔ 252	Frost lens (0→100%)
	252 ↔ 255	Frost lens (100%)
17		IRIS
	0 ↔ 127	Iris open→close (from large to small)
	128 ↔ 130	Iris close
	131 ↔ 171	Iris fade in and fast out (speed 1→100%)
	172 ↔ 211	Iris fast in and fade out (speed 1→100%)
	212 ↔ 251	Iris fade in and fast out randomly (speed 1→100%)
	252 ↔ 255	Iris fast in and fade out randomly (speed 1→100%)
18	0 ↔ 255	Iris mini trim
19	0 ↔ 255	Zoom 
20	0 ↔ 255	Zoom mini trim
21		Auto focus
	0 ↔ 27	4 meter
	28 ↔ 55	6 meter
	56 ↔ 83	8 meter
	84 ↔ 111	10 meter
	112 ↔ 139	12 meter
	140 ↔ 167	14 meter
	168 ↔ 195	16 meter
	196 ↔ 223	18 meter
		224 ↔ 255
22	0 ↔ 255	dofocusing
23	0 ↔ 255	focusing mini trim
24	0 ↔ 255	dimming(0→100%)
25	0 ↔ 255	linear dimming 16bit (0→100%)
26		STROBE
	0 ↔ 10	Strobe closed
	11 ↔ 155	Strobe from slow to fast (speed 1→100%) (0-20hz)
	156 ↔ 205	Thunder strobe (speed 1→100%)
	206 ↔ 255	Random strobe (speed 1→100%)

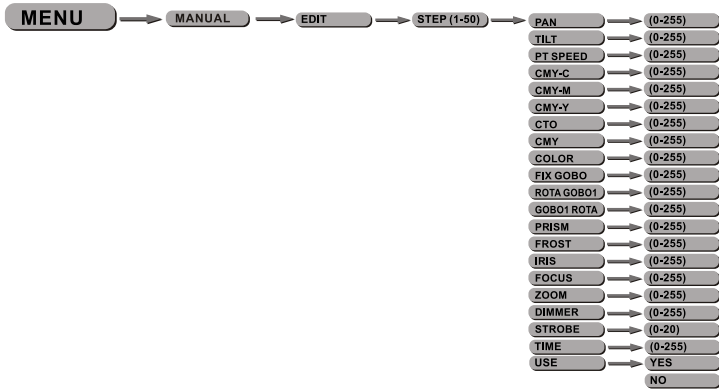
- Choose **【OFF】** and **【ON】** to close and open the **【BLACKOUT】** mode
- Choose **【OFF】** and **【ON】** to close and open the screen lock mode in menu **【DISPLAY LOCK】**
- Choose **【OFF】** and **【ON】** to close and open the display open & close mode in menu **【DISPLAY】**
- **【DIMMER】** menu for selection of **【DIM1/DIM2/DIM3/DIM4/OFF】** special dimming curves
- **【DMXerror】** menu, select **【SAVE】** to maintain last command in case of DMX error or **【BLACK】** for blackout
- **【FAN】** menu, select **【Slow/Norm/Fast/Auto】** as required fan speed.
- Choose the **【SET DEFAULT】** to reset in menu **【SETTING】**
- Choose the **【LOAD RECORD】** to reset the loading in menu **【USER RECORD】**  
Choose **【YES】** / **【NO】** to save the record or not in the menu **【SAVE TO RECORD】**
- Choose **【DISABLE】** and **【ENABLE】** to close and open the factory debug mode in the menu **【DEBUG HIDE】**
- Choose **【DISABLE】** and **【ENABLE】** to close and open the wireless DMX mode in the menu **【WIRELESS HIDE】**
- Choose **【WDMX ACTIVE】** to control open/close the wireless( **【OFF】** / **【ON】** ),  
Choose **【WDMX RESET】** to reset the wireless

### 3.7.1 MANUAL CONTROL MODE



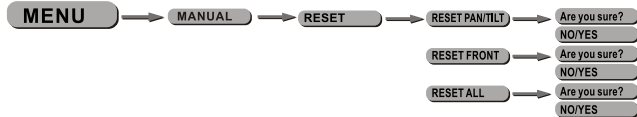
- Push button **【OK】** into the manual control mode in menu **【CHANNEL】**, push **【up/down】** to choose item
- **【PAN】** pan set, **【TILT】** tilt set, **【PT SPEED】** set the pan & tilt speed, **【CMY-C】** CMY red, **【CMY-M】** CMY blue, **【CMY-Y】** CMY yellow, **【CTO】** colour temperature, **【CMY】** CMY, **【COLOR】** set the color, **【FIX GOBO】** set the static gobo wheel, **【ROTA GOBO1】** set the rotating gobo wheel 1 **【GOBO ROTATION】** set the autogiration of gobo wheel, **【PRISM】** set the prism, **【FROST】** set the frost lens, **【IRIS】** set the iris, **【FOCUS】** set the focusing, **【ZOOM】** set the zoom of fixture, **【DIMMER】** set the dimmer, **【STROBE】** set the strobe, push the **【up/down】** to set the value **【000~255】**

### 3.72 EDIT



- Enter the **【 Edit 】** mode to edit the custom programs by adjusting the value of **【PAN】** , **【TILT】** , **【PT SPEED】** , **【CMY-C】** , **【CMY-M】** , **【CMY-Y】** , **【CTO】** , **【CMY】** , **【COLOR】** , **【FIX GOBO】** , **【ROTA GOBO1】** , **【GOBO1 ROTA】** , **【PRISM】** , **【FROST】** **【IRIS】** , **【FOCUS】** , **【ZOOM】** , **【DIMMER】** , **【STROBE】** , **【FROST】**
- Enter **【 Use 】** and select **【Yes】** to run the steps user need.

### 3.73 RESET



- Select **【RESET】** from the **【MANUAL】** menu
- **【RESET PAN/TILT】** menu, select **【YES/NO】** to carry out PAN/TILT reset
- **【RESET FRONT】** menu, select **【YES/NO】** to carry out FRONT reset
- **【RESET ALL】** menu, select **【YES/NO】** to carry out ALL reset

### 3.7.4 UPLOAD

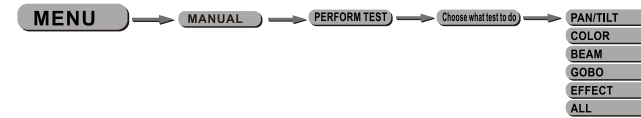


- Push button **【OK】** to set the data uploading in the menu **【UPLOAD】** , push **【up/down】** to choose item
- Choose **【YES】** / **【NO】** to upload the data or not in menu **【LOAD PARA】**
- Choose **【YES】** / **【NO】** to upload the data of self-programming or not in menu **【LOAD EDIT】**

CHANNEL	VALUE	EFFECT
13		ROTATING GOBO
	0 ⇄ 10	White
	11 ⇄ 20	Gobo 1
	21 ⇄ 30	Gobo 2
	31 ⇄ 40	Gobo 3
	41 ⇄ 50	Gobo 4
	51 ⇄ 60	Gobo 5
	61 ⇄ 70	Gobo 6
	71 ⇄ 80	White
	81 ⇄ 90	Rotating gobo 1 shake (speed 1→>100%)
	91 ⇄ 100	Rotating gobo 2 shake (speed 1→>100%)
	101 ⇄ 110	Rotating gobo 3 shake (speed 1→>100%)
	111 ⇄ 120	Rotating gobo 4 shake (speed 1→>100%)
	121 ⇄ 130	Rotating gobo 5 shake (speed 1→>100%)
	131 ⇄ 190	Rotating gobo 6 shake (speed 1→>100%)
	191 ⇄ 195	White
191 ⇄ 195	Rotating gobo flowing water effect (speed 1→>100%)	
14		GOBO ROTATION
	0 ⇄ 119	Rotating gobo angle adjustment (0→>360°)
	120 ⇄ 125	Stop
	126 ⇄ 165	Rotating goboshake (speed 1→>100%)
	166 ⇄ 170	Stop
	171 ⇄ 210	Rotating gobo positive rotation (speed 100%→>1)
	211 ⇄ 215	Stop
	216 ⇄ 255	Rotating gobo reverse rotation (speed 1→>100%)

CHANNEL	VALUE	EFFECT
11		COLOR
	0 ↔ 10	White
	11 ↔ 19	White →Colour1
	20 ↔ 20	Colour1
	21 ↔ 29	Colour1→Colour2
	30 ↔ 30	Colour2
	31 ↔ 39	Colour2→Colour3
	40 ↔ 40	Colour3
	41 ↔ 49	Colour3→Colour4
	50 ↔ 50	Colour4
	51 ↔ 59	Colour4→Colour5
	60 ↔ 60	Colour5
	61 ↔ 69	Colour5→Colour6
	70 ↔ 70	Colour6
	71 ↔ 79	Colour6→Colour7
	80 ↔ 80	Colour7
	81 ↔ 89	Colour7→White
	90 ↔ 95	White
	96 ↔ 103	Colour1
	104 ↔ 111	Colour2
	112 ↔ 119	Colour3
	120 ↔ 127	Colour4
	128 ↔ 135	Colour5
	136 ↔ 143	Colour6
	144 ↔ 151	Colour7
152 ↔ 203	Color wheel rainbow effect ( speed 100%→1)	
204 ↔ 209	stop ( speed 0% )	
210 ↔ 255	Color wheel rainbow effect ( speed 1→100% )	
12		STATIC GOBO
	0 ↔ 10	White
	11 ↔ 20	Static gobo 1
	21 ↔ 30	Static gobo 2
	31 ↔ 40	Static gobo 3
	41 ↔ 50	Static gobo 4
	51 ↔ 60	Static gobo 5
	61 ↔ 70	Static gobo 6
	71 ↔ 80	Static gobo 7
	81 ↔ 90	Static gobo 8
	91 ↔ 100	Static gobo 1 shake ( speed 1→100% )
	101 ↔ 110	Static gobo 2shake ( speed 1→100% )
	111 ↔ 120	Static gobo 3shake ( speed 1→100% )
	121 ↔ 130	Static gobo 4 shake ( speed 1→100% )
	131 ↔ 140	Static gobo 5 shake ( speed 1→100% )
	141 ↔ 150	Static gobo 6shake ( speed 1→100% )
	151 ↔ 160	Static gobo 7shake ( speed 1→100% )
	161 ↔ 170	Static gobo 8 shake ( speed 1→100% )
	171 ↔ 210	Satic gobo flowing water effect ( speed100% →1)
	211 ↔ 215	Stop
	216 ↔ 255	Satic gobo flowing water effect ( speed 1→100% )

### 3.7.5 RUN TEST SET



- Push the button **【OK】** to run the test set in menu **【PERFORM TEST】** , push **【up/down】** to choose item.
- **【PAN/TILT】** mode is test the pan& tilt motor, **【COLOR】** mode include color wheel, CMY motor test mode **【BEAM】** mode include focusing, zoom, iris test, **【GOBO】** is the gobo wheel motor test mode **【EFFECT】** is the prism, frost lens motor test mode, **【ALL】** is the test mode of all motors

### 3.8 INFORMATION SETTING



- push **【OK】** button into the information search mode in menu **【INFO】** , push **【up/down】** to choose item.
- **【SYSTEM ERROR】** is the SYSTEM ERROR information setting, **【FIXTURE OURS】** is to check the fixture use time , in **【LAMP HOURS】** mode could check the lamp use time , in **【TEMPERATURE】** mode could check the fixture temperature, in **【VERSION】** could check the version of the software

## 4 USING A DMX512 CONTROLLER

### 4.1 CHANNEL ASSIGNMENT

- Note: This product have two DMX512 channel configuration:  
**【PERSON1】 / 【PERSON2】**

#### PERSON1

CHANNEL	VALUE	EFFECT
1	0 ↔ 255	<b>PAN</b> 0~540°
2	0 ↔ 255	<b>PAN FINE</b> Fine control of tilt movement 0~3°
3	0 ↔ 255	<b>TILT</b> 0~270°
4	0 ↔ 255	<b>TILT FINE</b> Fine control of tilt movement 0~3°
5	0 ↔ 255	<b>PAN/TILT SPEED</b> From fast to slow
6	0 ↔ 255	CYAN WHITE→Cyan(0→100%)
7	0 ↔ 255	MAGENTA WHITE→Magenta(0→100%)
8	0 ↔ 255	YELLOW WHITE→Yellow(0→100%)
9	0	CTO WHITE
	1 ↔ 15	C19,M187,Y205 CTO: 3200k
	16 ↔ 30	C19,M176,Y200 CTO: 3400K
	31 ↔ 45	C120,M169,Y183 CTO: 3600K
	46 ↔ 60	C31,M154,Y168 CTO: 3800K
	61 ↔ 75	C 22,M146,Y158 CTO: 4000K
	76 ↔ 90	C37,M138,Y153 CTO: 4200K
	91 ↔ 105	C52,M131,Y147 CTO: 4400K
	106 ↔ 120	C76,M118,Y136 CTO: 4600K
	121 ↔ 135	C86,M95,Y127 CTO: 4800K
	136 ↔ 150	C41,M72,Y115 CTO: 5000K
	151 ↔ 165	C41,M64,Y100 CTO: 5200K
	166 ↔ 180	C41,M58,Y84 CTO: 5400K
	181 ↔ 195	C41, M58, Y68 CTO: 5600K
	196 ↔ 210	C41, M58, Y54 CTO: 5800K
	211 ↔ 225	C 41, M58, Y38 CTO: 6000K
	226 ↔ 240	C41, M58, Y22 CTO: 6200K
	241 ↔ 255	C0, M0, Y0 CTO: 6800K

CHANNEL	VALUE	EFFECT
10		CMY
	0 ↔ 5	No Function
	6 ↔ 13	R4590 - CalColor 90 Yellow
	14 ↔ 21	R11 - Light Straw
	22 ↔ 29	R312 - Canary
	30 ↔ 37	R03 - Dark Bastard Amber
	38 ↔ 45	R18 - Flame
	46 ↔ 53	R20 - Medium Amber
	54 ↔ 61	R21 - Golden Amber
	62 ↔ 69	R26 - Light Red
	70 ↔ 77	R27 - Medium Red
	78 ↔ 85	R33 - No Color Pink
	86 ↔ 93	R337 - True Pink
	94 ↔ 101	R38 - Light Rose
	102 ↔ 109	R41 - Salmon
	110 ↔ 117	R42 - Deep Salmon
	118 ↔ 125	R44 - Middle Rose
	126 ↔ 133	R349 - Fisher Fuchsia
	134 ↔ 141	R54 - Special Lavender
	142 ↔ 149	R64 - Light Steel Blue
	150 ↔ 157	R364 - Blue Bell
	158 ↔ 165	R65 - Daylight Blue
	166 ↔ 173	R80 - Primary Blue
	174 ↔ 181	R81 - Urban Blue
	182 ↔ 189	R82 - Surprise Blue
	190 ↔ 197	R382 - Congo Blue
	198 ↔ 205	R83 - Medium Blue
	206 ↔ 213	R383 - Sapphire Blue
	214 ↔ 221	R91 - Primary Green
	222 ↔ 229	R92 - Turquoise
230 ↔ 237	R93 - Blue Green	
238 ↔ 245	R393 - Emerald Green	
246 ↔ 253	R90 - Dark Yellow Green	
254 ↔ 255	No Function	