

4 USING A DMX512 CONTROLLER

4.1 CHANNEL ASSIGNMENT

- Note: This product have two DMX512 channel configuration:
【 UNO 】 / 【 DOS 】 / 【 STD.P 】

UNO

CHANNEL	VALUE	FUNCTION
1	0 ↔ 255	DIMMER

DOS

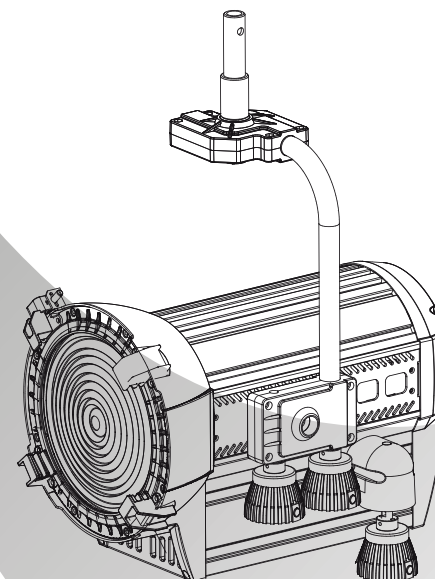
CHANNEL	VALUE	FUNCTION
1	0 ↔ 255	DIMMER
2	0 ↔ 255	FINE DIMMER

STD.P

CHANNEL	VALUE	FUNCTION
1	0 ↔ 255	DIMMER
2	0 ↔ 255	FINE DIMMER
3	0 ↔ 9	No strobe
	10 ↔ 99	Strobe (slow to fast)
	100 ↔ 109	No strobe
	110 ↔ 179	Lightning strobe (slow to fast)
	180 ↔ 189	No strobe
	190 ↔ 255	Random strobe (slow to fast)

FREZNO PO-2

USER MANUAL



SS808

1 PRODUCT SPECIFICATIONS

1.1 PRODUCT SPECIFICATIONS

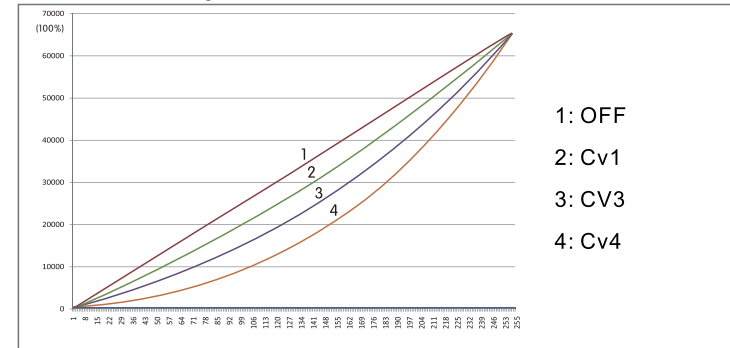
- ◆ Voltage: AC100~240V, 50/60Hz
- ◆ Max Power: 180W
- ◆ Size: 379X246X536mm
- ◆ Weight: 7.2kg

1.2 SAFETY WARNING

IMPORTANT:

- This product must be installed by a qualified professional.
- All maintenance must be carried out by a qualified electrician.
- A minimum distance of 0.5m must be maintained between the equipment and a combustible surface.
- The product must always be operated in a well ventilated area.
- DO NOT stare directly into the LED light source.
- Always disconnect the power before carrying out any maintenance.
- The earth must always be connected to the ground.
- Ensure that all parts of the equipment are kept clean and free of dust.
- A minimum distance of 0.8m must be maintained between the light and projecting surface

CURV dimming



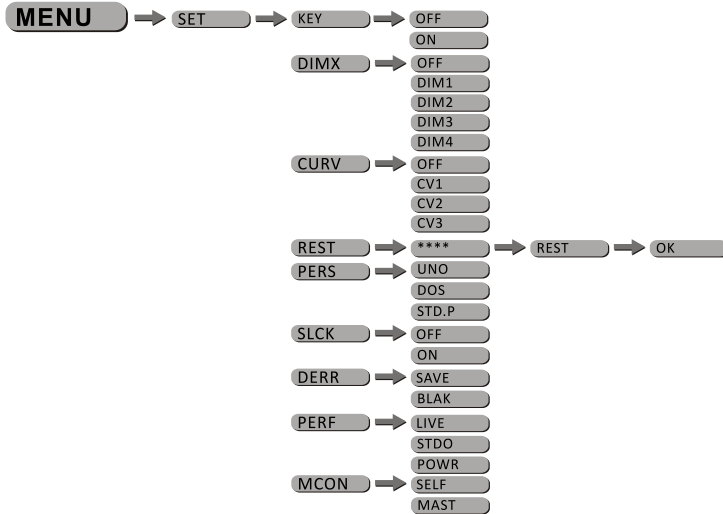
3.7 CONTROL KNOB

- DIMMER

Notes:

- Press the adjusting button (any one) twice, the fixture will be in STAT mode;
- Press the DIMMER button, DIM shows in the menu, the value range is 0—100%;

3.6 SPECIAL SETTINGS



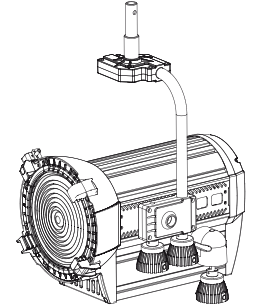
- [SET]...this menu allows the user to adjust key operation settings for this fixture.
[KEY]...select [ON] for automatic lock-out. Password to re-enter the display is <UP> + <DOWN> + <UP> + <DOWN>.
- Select [DIM1], [DIM2], [DIM3] or [DIM4] for different dimming speeds. ([DIM4] is the slowest dimming speed)
- [CURV] allows the user to adjust the shape of the dimming curve. See the CURV chart to Understand more about actual dimming curves.
- In order to reset custom modes to default values select [REST] .
- [PERS]...this setting allows the user to select the DMX personality of the fixture. Refer to DMX personality charts for specific details.
- [SLCK] is used to lock the settings menu. When [SLCK] is set to [ON] then user must insert passcode (UP+DOWN+UP+DOWN) in order to access the settings menu.
- [DERR] Choose[Save] in order to save the last DMX data in case of DMX signal error.
Choose[Black] in order to blackout in case of DMX signal error.
- [PERF] this setting allows the user to select the performance characteristics of the fixture.
- [MCON]...this function allows the user to select whether the fixture will send DMX data to other fixtures during stand-alone operation. The [MAST] setting allows data to be sent to Other fixtures. The [SELF] setting is default and will not send DMX data to other fixtures.

2 INSTALLATION

2.1 MOUNTING

HANGING

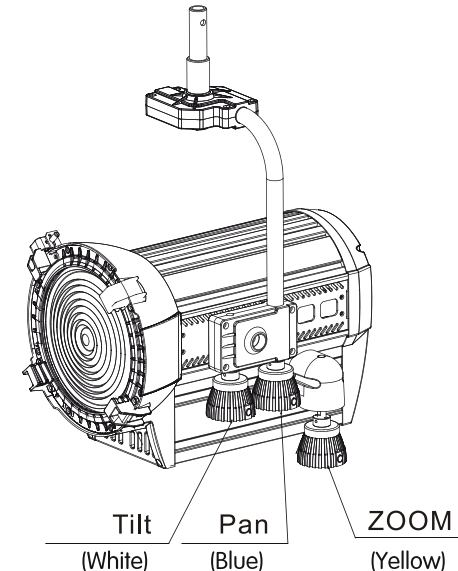
The LED fixture can be mounted in a hanging position using the supporting bracket. The bracket should be secured to the mounting truss or structure using a standard mounting clamp. Please note that when hanging the unit a safety cable should also be used.



2.2 POWER CONNECTIONS

- 220~240V: 10 units may be connected in series
- 110~120V: 5 units may be connected in series

2.3 POLE OPERATION INSTRUCTION



3 DISPLAY PANEL OPERATION

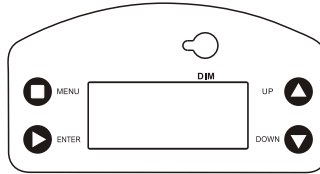
3.1 DISPLAY OPERATION

[MENU] return to the previous menu.

[ENTER] enter the currently selected menu.

[UP] scroll down through the current menu list or decrease the value of the current function.

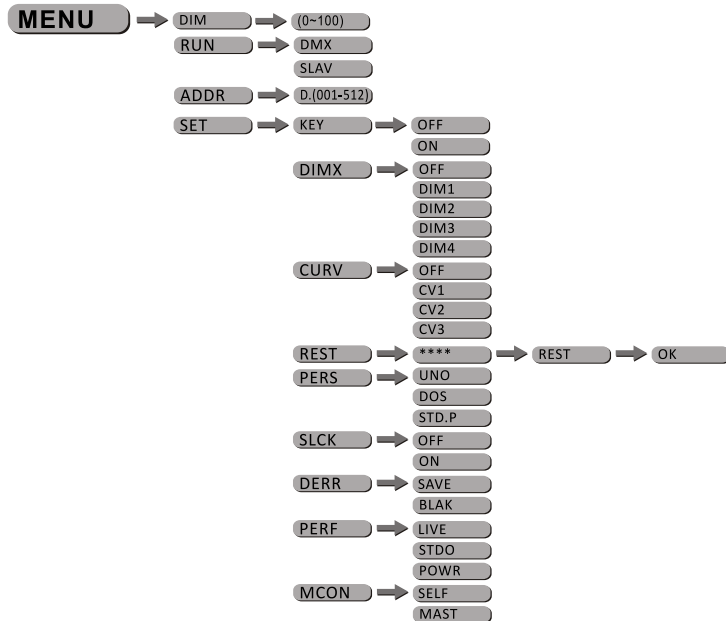
[DOWN] scroll up through the current menu list or Increase the value of the current function.



QUICK-ACCESS KEYS

[MENU] By press and holding the [MENU] key when at the main menu it is possible to directly access the [DIM] function

3.3 MENU MAP



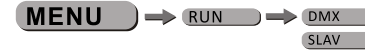
3.3 DIMMER (STAT)



● [DIM]...to adjust level of intensity

Note: When using this function, if the [MCON] menu is set as [MAST], then the fixture will transfer the [DIM] values to other fixtures. ii) When DMX data is received at the fixture, it will automatically return to main menu after 2 minutes of no key operation.

3.4 RUN MODE



● [RUN]...this menu allows the user to select the operating mode of the fixture. Select [DMX] for normal DMX operation or [SLAV] for slave operation.

3.5 DMX ADDRESS



● [ADDR]...this menu allows the user to select the start address of the fixture. Use <UP> or <DOWN> keys to select required start address.