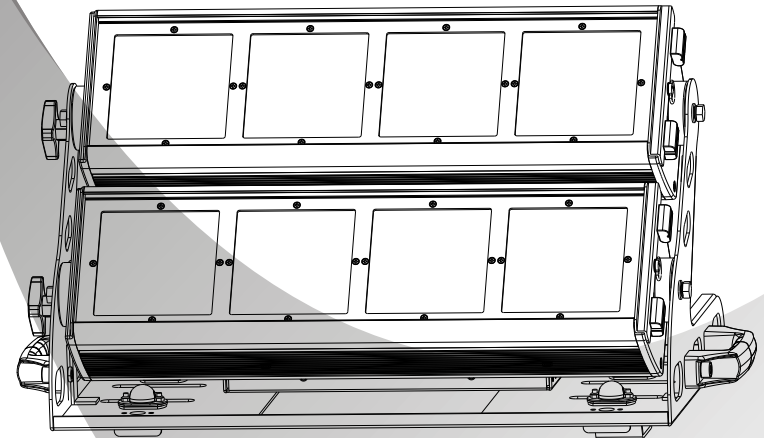


# MAXCYC

## USER MANUAL



**SS809**

MODELS:SS809XCA

 **SILVER STAR**  
Professional Lighting

[www.yajiang.cn](http://www.yajiang.cn)

RD-SS809-SM-00(SS-I)

# 1 PRODUCT SPECIFICATIONS

## 1.1 PRODUCT SPECIFICATIONS

- ◆ Voltage: AC 100~240V, 50/60Hz
- ◆ Max Power: 310W
- ◆ Size: 622x310x299mm
- ◆ Weight: 15kg

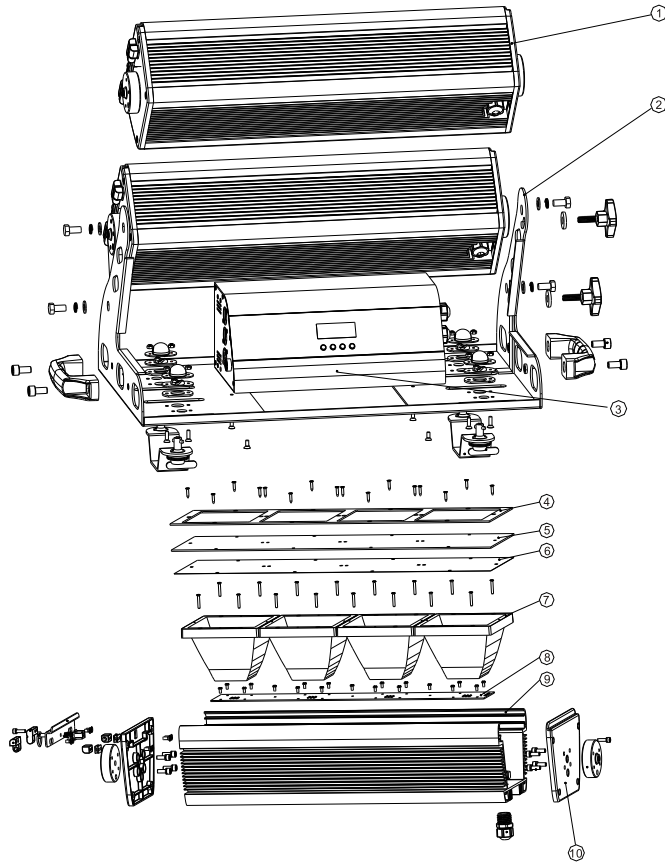
## 1.2 SAFETY WARNING

### IMPORTANT:

- This product must be installed by a qualified professional.
- All maintenance must be carried out by a qualified electrician.
- A minimum distance of 0.5m must be maintained between the equipment and a combustible surface.
- The product must always be operated in a well ventilated area.
- DO NOT stare directly into the LED light source.
- Always disconnect the power before carrying out any maintenance.
- The earth must always be connected to the ground.
- Ensure that all parts of the equipment are kept clean and free of dust.

# 5 APPENDIX

## 5.1 PARTS DIAGRAM



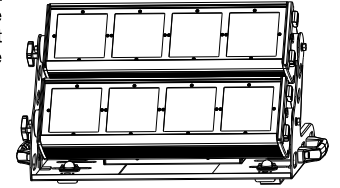
NO	ITEM
1	Lamp head
2	Base
3	Electrical source box
4	Reflective cup coverplate
5	Lens
6	10 degree grinding slice
7	Reflective cup
8	LED board
9	Lamp body heat dissipation profiles
10	End cap-02

# 2 INSTALLATION

## 2.1 MOUNTING

### HANGING

The LED fixture can be mounted in a hanging position using the supporting bracket. The bracket should be secured to the mounting truss or structure using a standard mounting clamp. Please note that when hanging the unit a safety cable should also be used.



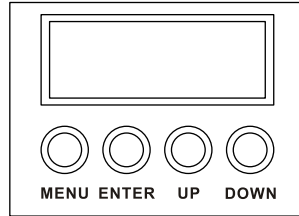
## 2.2 POWER CONNECTIONS

- 220~240V: 7 units may be connected in series
- 110~120V: 3 units may be connected in series

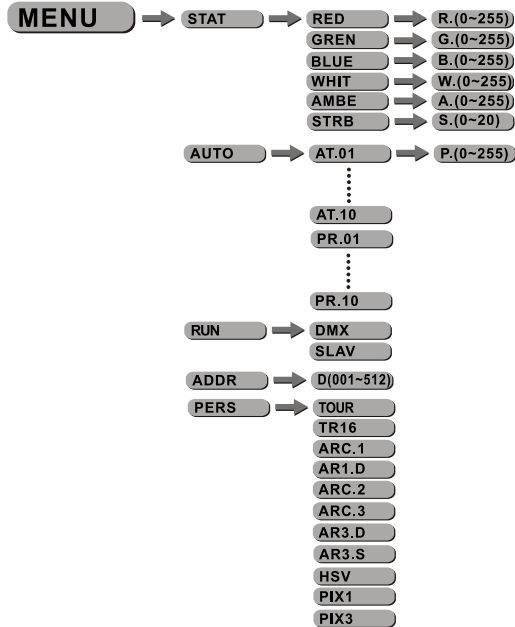
# 3 DISPLAY PANEL OPERATION

## 3.1 DISPLAY OPERATION

- 【 MENU 】 return to the previous menu.
- 【 ENTER 】 enter the currently selected menu.
- 【 UP 】 scroll down through the current menu list or decrease the value of the current function.
- 【 DOWN 】 scroll up through the current menu list or Increase the value of the current function.



## 3.2 MENU MAP



### ARC2

CHANNEL	VALUE	FUNCTION
1	0 ↔ 255	RED
2	0 ↔ 255	GREEN
3	0 ↔ 255	BLUE
4	0 ↔ 255	WHITE

### ARC3

CHANNEL	VALUE	FUNCTION
1	0 ↔ 255	RED
2	0 ↔ 255	GREEN
3	0 ↔ 255	BLUE
4	0 ↔ 255	WHITE
5	0 ↔ 255	AMBER

### ARC3.D

CHANNEL	VALUE	FUNCTION
1	0 ↔ 255	DIMMER
2	0 ↔ 255	RED
3	0 ↔ 255	GREEN
4	0 ↔ 255	BLUE
5	0 ↔ 255	WHITE
5	0 ↔ 255	AMBER

### ARC3.S

CHANNEL	VALUE	FUNCTION
1	0 ↔ 255	DIMMER
2	0 ↔ 255	RED
3	0 ↔ 255	GREEN
4	0 ↔ 255	BLUE
5	0 ↔ 255	WHITE
6	0 ↔ 255	AMBER
7	0 ↔ 255	STROBE 2

### HSV

CHANNEL	VALUE	FUNCTION
1	0 ↔ 255	HUE
2	0 ↔ 255	SATURATION
3	0 ↔ 255	VALUE

**PIX1**

CHANNEL	VALUE	FUNCTION
1	0 ↔ 255	P1 RED
2	0 ↔ 255	P1 GREEN
3	0 ↔ 255	P1 BLUE
4	0 ↔ 255	P2 RED
5	0 ↔ 255	P2 GREEN
6	0 ↔ 255	P2 BLUE

**PIX3**

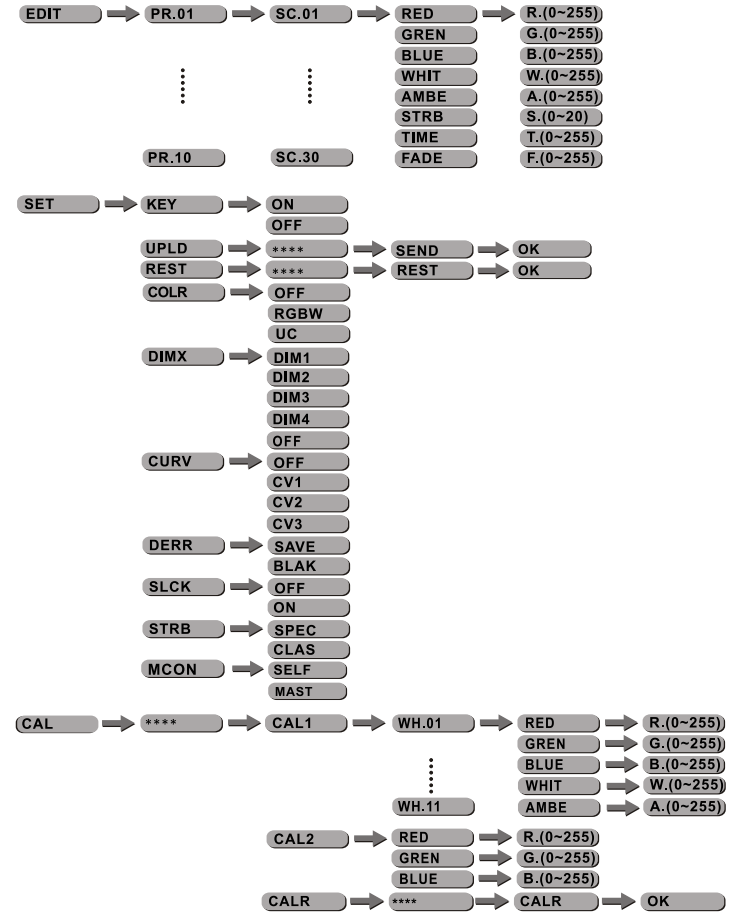
CHANNEL	VALUE	FUNCTION
1	0 ↔ 255	P1 RED
2	0 ↔ 255	P1 GREEN
3	0 ↔ 255	P1 BLUE
4	0 ↔ 255	P1 WHITE
5	0 ↔ 255	P1 AMBER
6	0 ↔ 255	P2 RED
7	0 ↔ 255	P2 GREEN
8	0 ↔ 255	P2 BLUE
9	0 ↔ 255	P2 WHITE
10	0 ↔ 255	P2 AMBER

**ARCI**

CHANNEL	VALUE	FUNCTION
1	0 ↔ 255	RED
2	0 ↔ 255	GREEN
3	0 ↔ 255	BLUE

**AR1.D**

CHANNEL	VALUE	FUNCTION
1	0 ↔ 255	DIMMER
2	0 ↔ 255	RED
3	0 ↔ 255	GREEN
4	0 ↔ 255	BLUE

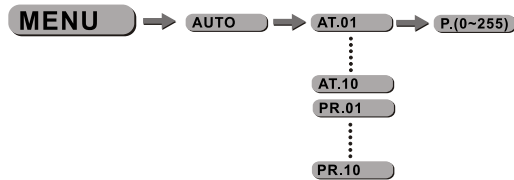


### 3.3 EDIT STATIC COLOUR



- Combine **Red**, **Green**, **Blue**, **White** and **Ambe** to create an infinite range of colors (0-255)
- Set the value of the **Strobe** (0-20Hz)

### 3.4 ACTIVATING AUTO PROGRAMS



- Select the target **AUTO** program and press **ENTER**.
- Programs **AT.01** to **AT.10** are fully pre-programmed and will not be altered by changes in **EDIT** mode.
- Programs **PR.01** to **PR.10** are fully pre-programmed and can be edited in **EDIT** mode.

### 3.5 RUN MODE



- Enter the **RUN** mode to set working mode.
- **DMX** mode is for using the DMX512 controller to control the fixtures.
- **SLAV** mode is for Master -- Slave operation.

CHANNEL	VALUE	FUNCTION
15		AUTO
	0 ↔ 40	NO FUNCTION
	41 ↔ 50	AUTO01
	51 ↔ 60	AUTO02
	61 ↔ 70	AUTO03
	71 ↔ 80	AUTO04
	81 ↔ 90	AUTO05
	91 ↔ 100	AUTO06
	101 ↔ 110	AUTO07
	111 ↔ 120	AUTO08
	121 ↔ 130	AUTO09
	131 ↔ 140	AUTO10
	141 ↔ 150	CUSTOM01
	151 ↔ 160	CUSTOM02
	161 ↔ 170	CUSTOM03
171 ↔ 180	CUSTOM04	
181 ↔ 190	CUSTOM05	
191 ↔ 200	CUSTOM06	
201 ↔ 210	CUSTOM07	
211 ↔ 220	CUSTOM08	
221 ↔ 230	CUSTOM09	
231 ↔ 255	CUSTOM10	
16		AUTO SPEED
	0 ↔ 255	Since the walking speed (slow to fast)
17		DIMMER SPEED
	0 ↔ 9	RETURN SETTINGS
	10 ↔ 29	NORMAL
	30 ↔ 69	DIM 1
	70 ↔ 129	DIM 2
	130 ↔ 189	DIM 3
	190 ↔ 255	DIM 4

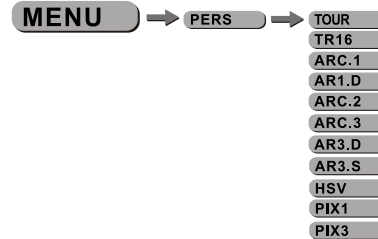
CHANNEL	VALUE	FUNCTION
14		STROBE 1
	0 ⇄ 9	No strobe
	10 ⇄ 99	Strobe (slow to fast)
	100 ⇄ 109	No strobe
	110 ⇄ 179	Lightning strobe (slow to fast)
	180 ⇄ 189	No strobe
	190 ⇄ 255	Random strobe (slow to fast)
		STROBE 2
	0 ⇄ 9	0
	10 ⇄ 19	1
	20 ⇄ 29	2
	30 ⇄ 39	3
	40 ⇄ 49	4
	50 ⇄ 59	5
	60 ⇄ 69	6
	70 ⇄ 79	7
	80 ⇄ 89	8
	90 ⇄ 99	9
	100 ⇄ 109	10
	110 ⇄ 119	11
120 ⇄ 129	12	
130 ⇄ 139	13	
140 ⇄ 149	14	
150 ⇄ 159	15	
160 ⇄ 169	16	
170 ⇄ 179	17	
180 ⇄ 189	18	
190 ⇄ 199	19	
200 ⇄ 255	20	

### 3.6 DMX512 SETTINGS



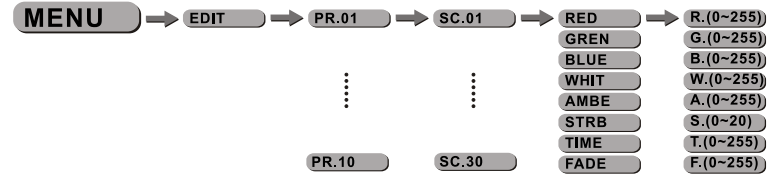
- Enter the **【ADDR】** mode to set the DMX ADDRESS.

### 3.7 PERSONALITY



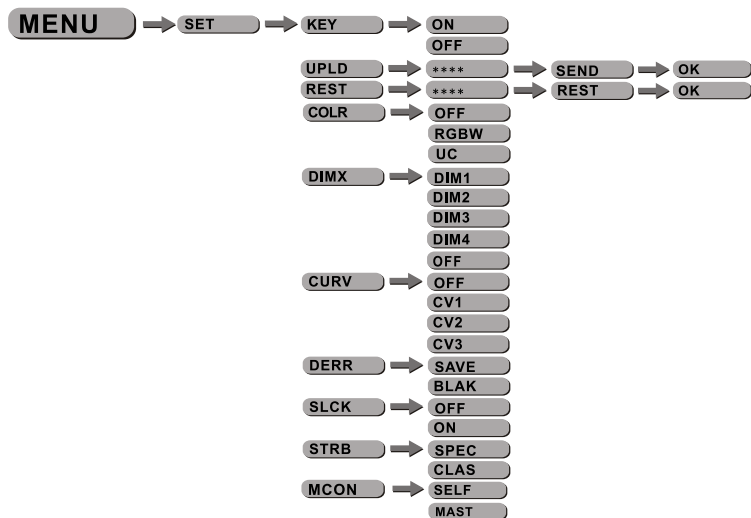
- Enter the **【PERSONALITY】** mode to select DMX mode: **【TOUR】** **【TR16】** , **【ARC.1】** , **【AR1.D】** , **【ARC.2】** , **【ARC.3】** **【AR3.D】** , **【AR3.S】** , **【HSV】** , **【PIX1】** , **【PIX3】**

### 3.8 EDITING CUSTOM PROGRAMS



- Enter the **【EDIT】** mode to edit the custom programs **【PR.01】** to **【PR.10】** .
- Each custom program has 30 steps that can be edited.
- Each step allows the creation of a scene using RED **【Red】** , GREEN **【Green】** , BLUE **【Blue】** , WHITE **【White】** , AMBE **【Ambe】** , STRB **【Strb】** , TIME **【Time】** & FADE **【Fade】** .

### 3.9 SPECIAL SETTINGS



- [SET]...this menu allows the user to adjust key operation settings for this fixture.  
[KEY]...select [ON] for automatic lock-out. Password to re-enter the display is <UP> + <DOWN> + <UP> + <DOWN>.
- Select[UPLD] to upload the custom programs from the current MASTER unit to the SLAVE units.
- In order to reset custom modes to default values select [REST] .
- [COLR] is for activate/unactivate the color calibration functions. When [RGBW] is selected, on RGB = 255,255,255, the color is displayed as calibrated in CAL2 -- RGBW. When[COLR] is set [OFF], on RGB = 255,255,255, the RGB values are not adjusted and the output is most powerful. When [UC] is selected, the RGB output are adjusted to a standard preset universal color which balances fixtures from different generations.
- Select [DIM1], [DIM2], [DIM3] or [DIM4] for different dimming speeds. ([DIM4] is the slowest dimming speed)
- [CURV] allows the user to adjust the shape of the dimming curve. See the CURV chart to understand more about actual dimming curves.
- [SLCK] is used to lock the settings menu. When [SLCK] is set to [ON] then user must insert passcode (UP+DOWN+UP+DOWN) in order to access the settings menu.
- [STRB] This fixture allows for two different strobe personality settings, [CLAS] strobe or [SPEC] strobe. The [STRB] settings are only valid in the DMX personalities [TOUR], [AR2.S] and [TR16]
- [MCON]...this function allows the user to select whether the fixture will send DMX data to other fixtures during stand-alone operation. The [MAST] setting allows data to be sent to Other fixtures. The [SELF] setting is default and will not send DMX data To other fixtures.

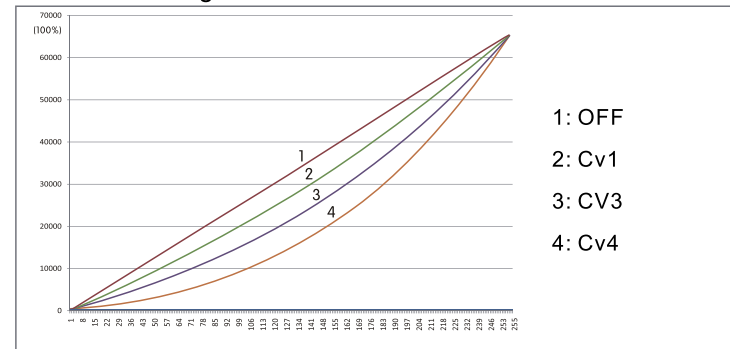
### TR16

CHANNEL	VALUE	FUNCTION
1	0 ↔ 255	MASTER DIMMER
2	0 ↔ 255	MASTER DIMMER FINE
3	0 ↔ 255	RED
4	0 ↔ 255	RED FINE
5	0 ↔ 255	GREEN
6	0 ↔ 255	GREEN FINE
7	0 ↔ 255	BLUE
8	0 ↔ 255	BLUE FINE
9	0 ↔ 255	WHITE
10	0 ↔ 255	WHITE FINE
11	0 ↔ 255	AMBER
12	0 ↔ 255	AMBER FINE
13		COLOR MACRO & WHITE
	0 ↔ 10	NO FUNCTION
	11 ↔ 30	RED 100% / GREEN UP / BLUE 0%
	31 ↔ 50	RED DOWN / GREEN 100% / BLUE 0%
	51 ↔ 70	RED 0% / GREEN 100% / BLUE UP
	71 ↔ 90	RED 0% / GREEN DOWN / BLUE 100%
	91 ↔ 110	RED UP / GREEN 0% / BLUE 100%
	111 ↔ 130	RED 100% / GREEN 0% / BLUE DOWN
	131 ↔ 150	RED 100% / GREEN UP / BLUE UP
	151 ↔ 170	RED DOWN / GREEN DOWN / BLUE 100%
	171 ↔ 200	RED 100% / GREEN 100% / BLUE 100% / WHITE 100% / AMBER 100%
	201 ↔ 205	WHITE1: 3200K
	206 ↔ 210	WHITE2: 3400K
	211 ↔ 215	WHITE3: 4200K
	216 ↔ 220	WHITE4: 4900K
221 ↔ 225	WHITE5: 5600K	
226 ↔ 230	WHITE6: 5900K	
231 ↔ 235	WHITE7: 6500K	
236 ↔ 240	WHITE8: 7200K	
241 ↔ 245	WHITE9: 8000K	
246 ↔ 250	WHITE10: 8500K	
251 ↔ 255	WHITE11: 10000K	



CHANNEL	VALUE	FUNCTION
9		AUTO
	0 ↔ 40	NO FUNCTION
	41 ↔ 50	AUTO01
	51 ↔ 60	AUTO02
	61 ↔ 70	AUTO03
	71 ↔ 80	AUTO04
	81 ↔ 90	AUTO05
	91 ↔ 100	AUTO06
	101 ↔ 110	AUTO07
	111 ↔ 120	AUTO08
	121 ↔ 130	AUTO09
	131 ↔ 140	AUTO10
	141 ↔ 150	CUSTOM01
	151 ↔ 160	CUSTOM02
	161 ↔ 170	CUSTOM03
	171 ↔ 180	CUSTOM04
	181 ↔ 190	CUSTOM05
	191 ↔ 200	CUSTOM06
	201 ↔ 210	CUSTOM07
	211 ↔ 220	CUSTOM08
	221 ↔ 230	CUSTOM09
	231 ↔ 255	CUSTOM10
	10	
0 ↔ 255		Since the walking speed (slow to fast)
11		DIMMER SPEED
	0 ↔ 9	RETURN SETTINGS
	10 ↔ 29	NORMAL
	30 ↔ 69	DIM 1
	70 ↔ 129	DIM 2
	130 ↔ 189	DIM 3
	190 ↔ 255	DIM 4

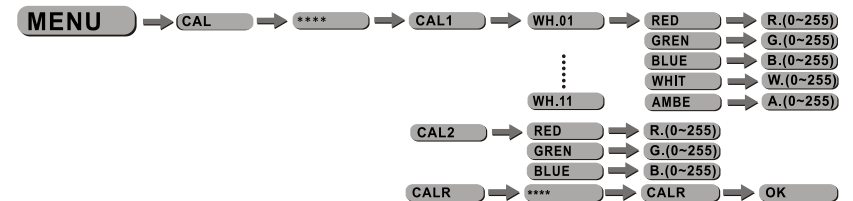
### CURV dimming



- 1: OFF
- 2: Cv1
- 3: CV3
- 4: Cv4

### 3.10 BALANCE PARAMETERS AND CORRECTION MENU DISPLAY

Press **【MENU】** button to enter the password confirmation, to enter the correct password < UP + DOWN + UP + DOWN >  
Key, press the **【MENU】** in, the correct password will enter show submenu



- Enter the **【CAL1】** to select white color of different color temperature.
- There are 11 pre-programmed White colors can be edited by using **【Red】**, **【Green】**, **【Blue】**, **【White】** & **【Ambe】**.
- Enter the **【CAL2】** to adjust the RGB parameter to make different whites.
- When the new setting is activated, the DMX controller choose RGB = 255,255,255 the white color will be made by the actual RGB values on the **【CAL2】**.

# 4 USING A DMX512 CONTROLLER

## 4.1 CHANNEL ASSIGNMENT

- Note: This product have eleven DMX512 channel configuration: TOUR / TR16 / ARC1 / ARI.D / ARC.2 / ARC.3 / AR3.D / AR3.S / HSV / PIX.1 / PIX.3

### TOUR

CHANNEL	VALUE	FUNCTION
1	0 ↔ 255	MASTER DIMMER
2	0 ↔ 255	RED
3	0 ↔ 255	GREEN
4	0 ↔ 255	BLUE
5	0 ↔ 255	WHITE
6	0 ↔ 255	AMBER
7		COLOR MACRO & WHITE
	0 ↔ 10	NO FUNCTION
	11 ↔ 30	RED 100% / GREEN UP / BLUE 0%
	31 ↔ 50	RED DOWN / GREEN 100% / BLUE 0%
	51 ↔ 70	RED 0% / GREEN 100% / BLUE UP
	71 ↔ 90	RED 0% / GREEN DOWN / BLUE 100%
	91 ↔ 110	RED UP / GREEN 0% / BLUE 100%
	111 ↔ 130	RED 100% / GREEN 0% / BLUE DOWN
	131 ↔ 150	RED 100% / GREEN UP / BLUE UP
	151 ↔ 170	RED DOWN / GREEN DOWN / BLUE 100%
	171 ↔ 200	RED 100% / GREEN 100% / BLUE 100% / WHITE 100% / AMBER 100%
	201 ↔ 205	WHITE1: 3200K
	206 ↔ 210	WHITE2: 3400K
	211 ↔ 215	WHITE3: 4200K
	216 ↔ 220	WHITE4: 4900K
	221 ↔ 225	WHITE5: 5600K
	226 ↔ 230	WHITE6: 5900K
	231 ↔ 235	WHITE7: 6500K
236 ↔ 240	WHITE8: 7200K	
241 ↔ 245	WHITE9: 8000K	
246 ↔ 250	WHITE10: 8500K	
251 ↔ 255	WHITE11: 10000K	

CHANNEL	VALUE	FUNCTION
8		STROBE 1
	0 ↔ 9	No strobe
	10 ↔ 99	Strobe (slow to fast)
	100 ↔ 109	No strobe
	110 ↔ 179	Lightning strobe (slow to fast)
	180 ↔ 189	No strobe
	190 ↔ 255	Random strobe (slow to fast)
		STROBE 2
	0 ↔ 9	0
	10 ↔ 19	1
	20 ↔ 29	2
	30 ↔ 39	3
	40 ↔ 49	4
	50 ↔ 59	5
	60 ↔ 69	6
	70 ↔ 79	7
	80 ↔ 89	8
	90 ↔ 99	9
	100 ↔ 109	10
	110 ↔ 119	11
120 ↔ 129	12	
130 ↔ 139	13	
140 ↔ 149	14	
150 ↔ 159	15	
160 ↔ 169	16	
170 ↔ 179	17	
180 ↔ 189	18	
190 ↔ 199	19	
200 ↔ 255	20	