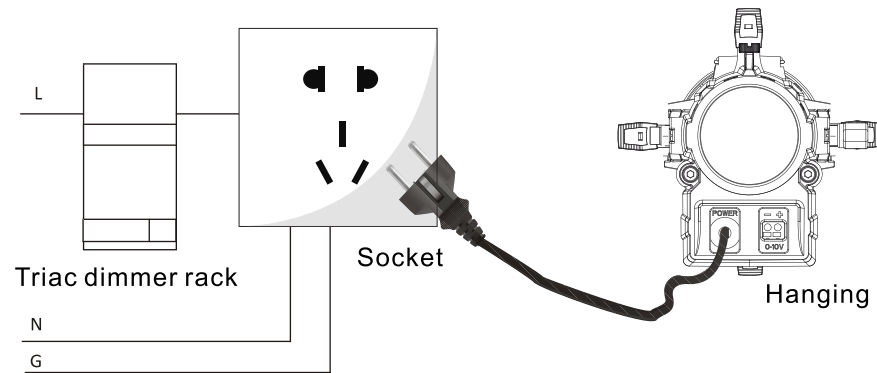


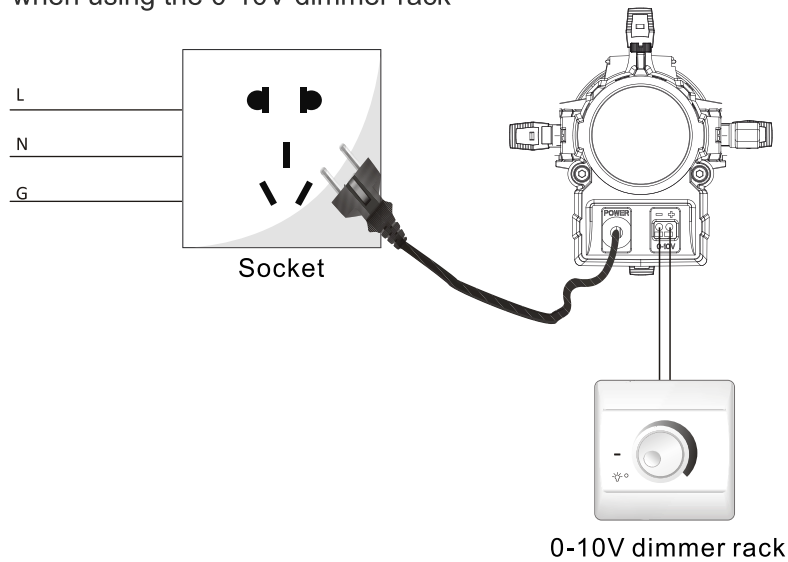
3 Operational approach

3.1 function switch schematic diagram

3.1.1 According to the chart connection access dimmers, 0-10V dimmer rack should be hanging when using the Triac dimmer rack

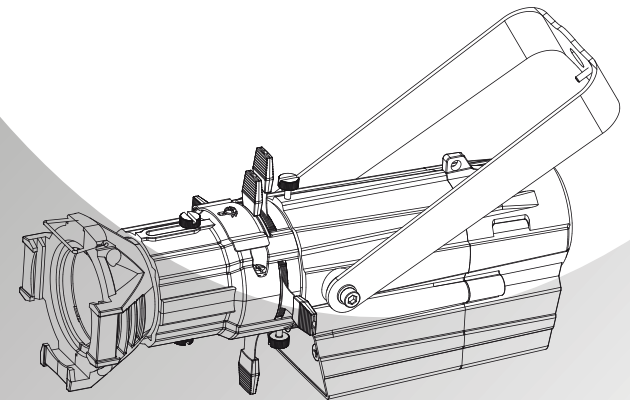


3.1.2 According to the chart connection access dimmers, when using the 0-10V dimmer rack



ECLIPSE Mini

USER MANUAL



SS817

MODELS:SS817SW/SS817SC

SILVER STAR
Professional Lighting
www.yajiang.cn
RD-SS817-SM-00(SS-I)

1 PRODUCT SPECIFICATIONS

1.1 PRODUCT SPECIFICATIONS

- ◆ Voltage: AC100~120V, 50/60Hz & AC220~240V, 50/60Hz
- ◆ Max Power: 13W
- ◆ Size: 305x113x109mm
- ◆ Weight: 1.6kg

1.2 SAFETY WARNING

IMPORTANT:

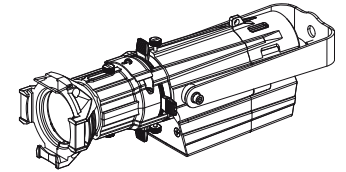
- This product must be installed by a qualified professional.
- All maintenance must be carried out by a qualified electrician.
- A minimum distance of 0.5m must be maintained between the equipment and a combustible surface.
- The product must always be operated in a well ventilated area.
- DO NOT stare directly into the LED light source.
- Always disconnect the power before carrying out any maintenance.
- The earth must always be connected to the ground.
- Ensure that all parts of the equipment are kept clean and free of dust.
- A minimum distance of 0.8m must be maintained between the light and projecting surface

2 INSTALLATION

2.1 MOUNTING

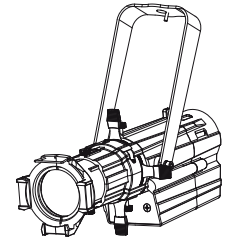
HANGING

The fixture can be mounted in a hanging position using the supporting bracket. The bracket should be secured to the mounting truss or structure using a standard mounting clamp. Please note that when hanging the unit a safety cable should also be used.



UPRIGHT

The fixture can be mounted in an upright or sitting position using the supporting brackets.



The LED MODULE can be mounted at any angle and in any position. It is possible to further adjust the angle of the LED MODULE using the two adjustment knobs located on the side of the fixture.