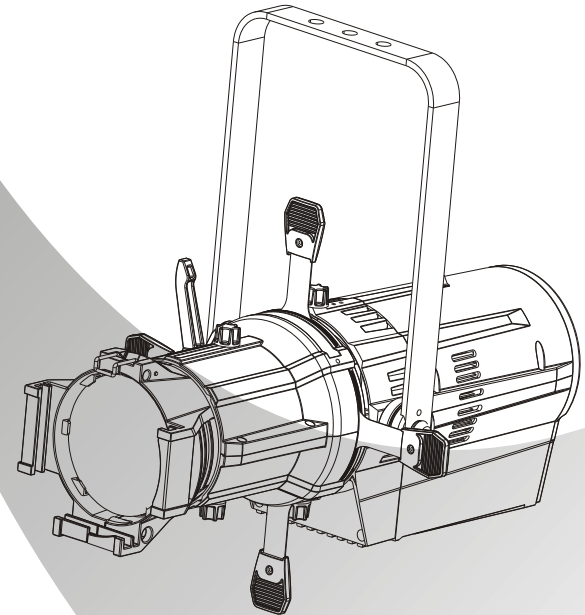


ECLIPSE 750 HD

USER MANUAL



SS827

MODELS:SS827SW HD/SS827SC HD

 **SILVER STAR**
Professional Lighting
www.yajiang.cn
RD-SS827-SM-02(SS-1)

1 PRODUCT SPECIFICATIONS

1.1 PRODUCT SPECIFICATIONS

- ◆ Voltage: AC100~240V, 50/60Hz
- ◆ Max Power: 250W
- ◆ Size: 720x380x340mm
- ◆ Weight: 9.6kg

1.2 SAFETY WARNING

IMPORTANT:

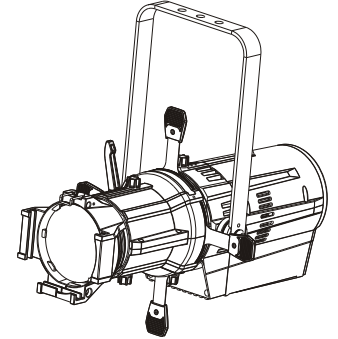
- This product must be installed by a qualified professional.
- All maintenance must be carried out by a qualified electrician.
- A minimum distance of 0.5m must be maintained between the equipment and a combustible surface.
- The product must always be operated in a well ventilated area.
- DO NOT stare directly into the LED light source.
- Always disconnect the power before carrying out any maintenance.
- The earth must always be connected to the ground.
- Ensure that all parts of the equipment are kept clean and free of dust.

2 INSTALLATION

2.1 MOUNTING

HANGING

The LED fixture can be mounted in a hanging position using the supporting bracket. The bracket should be secured to the mounting truss or structure using a standard mounting clamp. Please note that when hanging the unit a safety cable should also be used.



2.2 POWER CONNECTIONS

- 220~240V: 7 units may be connected in series
- 110~120V: 4 units may be connected in series

3 DISPLAY PANEL OPERATION

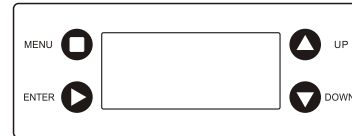
3.1 DISPLAY OPERATION

[MENU] return to the previous menu.

[ENTER] enter the currently selected menu.

[UP] scroll down through the current menu list or decrease the value of the current function.

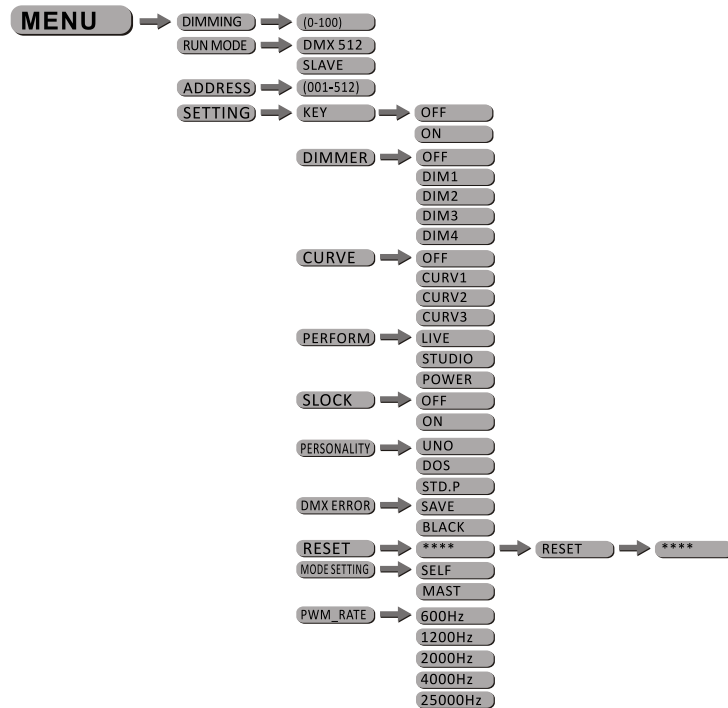
[DOWN] scroll up through the current menu list or Increase the value of the current function.



3.2 QUICK-ACCESS KEYS

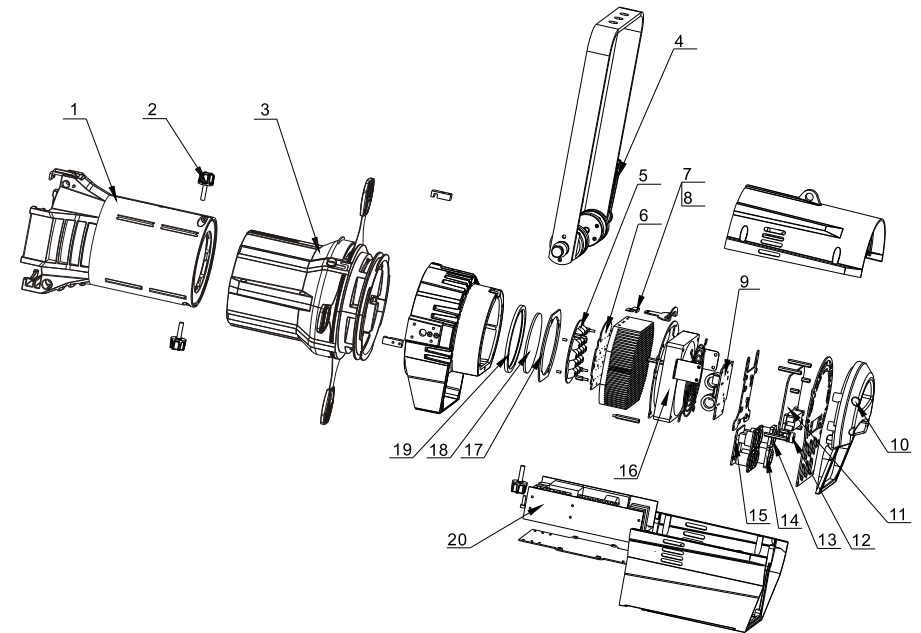
[MENU] By press and holding the **[MENU]** key when at the main menu it is possible to directly access the **[DIM]** function

3.3 MENU MAP



5 APPENDIX

5.1 PARTS DIAGRAM



NO	ITEM	NO	ITEM
1	Focus tube components(19°ED)	9	Driver board
	Focus tube components(26°ED)	10	Afterbody plastic handle
	Focus tube components(36°ED)	11	Display PCB
	Focus tube components(50°ED)	12	Fuse holder
2	Handwriting screw	13	PS socket (male)
3	Light tube components	14	PS socket (male)
4	M10 hand shank	15	Adaptor PCB
5	15 degree lens(19 in 1)	16	Fan
6	LED board	17	92 lens fixed cover
7	Thermal switch holder	18	Φ 92 convex 1
8	Thermal switch	19	92 lens fixed cover
		20	Power Supply

4 USING A DMX512 CONTROLLER

4.1 CHANNEL ASSIGNMENT

- Note: This product have two DMX512 channel configuration: [UNO] / [DOS] / [STD.P]

UNO

CHANNEL	VALUE	FUNCTION
1	0 ↔ 255	DIMMER

DOS

CHANNEL	VALUE	FUNCTION
1	0 ↔ 255	DIMMER
2	0 ↔ 255	FINE DIMMER

STD.P

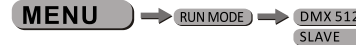
CHANNEL	VALUE	FUNCTION
1	0 ↔ 255	DIMMER
2	0 ↔ 255	FINE DIMMER
3	0 ↔ 9	No strobe
	10 ↔ 99	Strobe (slow to fast)
	100 ↔ 109	No strobe
	110 ↔ 179	Lightning strobe (slow to fast)
	180 ↔ 189	No strobe
	190 ↔ 255	Random strobe (slow to fast)

3.4 DIMMER (DIMMING)



- [DIMMING]...this menu allows the user to manually control the intensity of the fixture. Use <UP> or <DOWN> keys to select required intensity.

3.5 RUN MODE



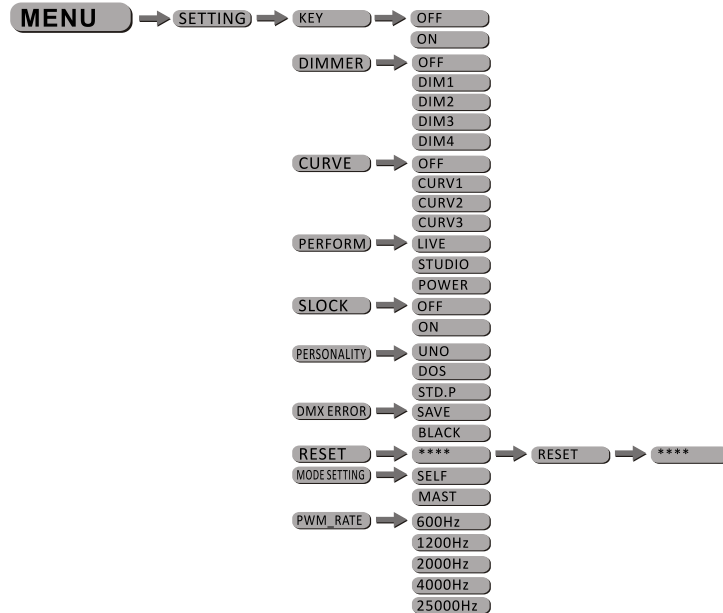
- [RUN MODE]...this menu allows the user to select the operating mode of the fixture. Select [DMX] for normal DMX operation or [SLAV] for slave operation.

3.6 DMX ADDRESS



- [ADDRESS]...this menu allows the user to select the start address of the fixture. Use <UP> or <DOWN> keys to select required start address.

3.7 SPECIAL SETTINGS



- [SETTING]...this menu allows the user to adjust key operation settings for this fixture. [KEY]...select [ON] for automatic lock-out. Password to re-enter the display is <UP> + <DOWN> + <UP> + <DOWN>.
- Select [DIM1], [DIM2], [DIM3] or [DIM4] for different dimming speeds. ([DIM4] is the slowest dimming speed)
- [CURVE] allows the user to adjust the shape of the dimming curve. See the CURV chart to Understand more about actual dimming curves.
- [PERFORM]...this setting allows the user to select the performance characteristics of the fixture. [LIVE] mode is the default mode which balances the requirements of output and noise. [STUDIO] mode maintains extremely low noise at all times and operates at a moderated power level. [POWER] mode operates at high power for long periods of time without making considerations for noise levels.
- [SLOCK] is used to lock the settings menu. When [SLCK] is set to [ON] then user must insert passcode (UP+DOWN+UP+DOWN) in order to access the settings menu.
- [PERSONALITY]...this setting allows the user to select the DMX personality of the fixture. Refer to DMX personality charts for specific details.
- [DMX ERROR] Choose [Save] in order to save the last DMX data in case of DMX signal error. Choose [Black] in order to blackout in case of DMX signal error.
- In order to reset custom modes to default values select [RESET].
- [MODE SETTING]...this function allows the user to select whether the fixture will send DMX data to other fixtures during stand-alone operation. The [MAST] setting allows data to be sent to Other fixtures. The [SELF] setting is default and will not send DMX data to other fixtures.

- <PWM_RATE> is PWM refresh rate bottom, press UP/DOWN to choose <600Hz>, <1200Hz>, <2000Hz>, <4000Hz>, <25000Hz>
- Note: with refresh rate increased, gray rate of dimmer will be reduced, (that's means high refresh rate, low gray rate), when it's <4000Hz>, CV3 is invalid, when it's <25000Hz>, CV1 CV2 CV3 are invalid, so please lower PWM rate to increase gray rate in necessary.

CURV dimming

