

User Manual W-510 & W-530 Fog Machine

Please read and save these instructions.

Introduction

Thank you for choosing W-Series Fog Machine. You now own a rugged and power state-of-the-art machine. Prior to use, we suggest that you carefully read all of the instructions. By following the suggested user manual, you can look forward to the reliable and satisfactory performance of your Fog Machine for years to come.



Danger of Burns

Please follow these operation, safety and maintenance instructions to ensure a long and safe life for your fog machine.



CAUTION

Risk of Electric Shock. Disconnect the appliance from the electric supply before refilling liquid, cleaning or performing maintenance on the machine.

Danger of Electric Shock

Keep this device dry.

For inside use only. Not designed for outside use.

For all models, use a 3-prong grounded electrical outlet only. Prior to use take care to determine that the unit is installed at the rated voltage.

Always unplug your W-Series Fog Machine before filling its tank.

Always keep the fog machine in upright position.

Turn off or unplug the machine when not in use.

This machine is not water-proof. If moisture, water, or fog fluid gets inside the housing, immediately unplug the unit and contact a service technician or your dealer before using it again.

No user serviceable parts inside, Refer to your dealer or other qualified service personnel.

1. This device is for adult use only and must be installed out of the reach of children. Never leave the unit running unattended.
2. Never aim the output as it is very hot. Avoid coming within 50 cm of the output nozzle during operation.
3. Locate the fog machine in a well-ventilated area. Never cover the unit's vents. In order to guarantee adequate ventilation, allow a free air space of at least 20 cm around the sides and top of the unit.
4. Never aim the output nozzle at open flames.
5. If the power cord is damaged, it must be replaced by the manufacturer or its service agent or similarly qualified personnel in order to avoid a hazard.
6. The output nozzle becomes very hot during operation (200°C). Keep flammable materials at least 50cm away from the nozzle.
7. Always allow your Fog Machine to cool down before attempting to clean or service it.



Danger of Explosion

- 1、 Never add flammable liquids of any kind (such as oil, gas, perfume) to the fog liquid.
- 2、 Use only high-quality, water-based fog liquid that your dealer recommends. Other fog liquids may cause clogging or “spitting”.
- 3、 Always make sure there is sufficient liquid in the tank. Operating this unit without liquid will cause damage to the pump as well as over-heating of the heater.
- 4、 If your W- 510 Fog Machine fails to work properly, discontinue use immediately. Drain all fog liquid from the tank, pack the unit securely (preferably in the original packing material), and return it to your dealer for service.
- 5、 Always drain the tank before shipping or transporting this unit.
- 6、 Never drink fog liquid. If it is ingested, call a doctor immediately. If fog liquid comes in contact with skin or eyes, rinse thoroughly with water.

Note: Pay attention to all warning labels and instructions printed on the exterior of your Fog Machine.

Unpacking & Inspection

Open the shipping carton and verify that all equipment necessary to operate the system has arrived intact.

The shipping carton should contain the following items:

- 1、 One unit of W-510 Fog Machine.
- 2、 Power cord
- 3、 One set of W-1 Transmitter
- 4、 User manual

If any equipment is missing contact your dealer immediately.

Before beginning your initial setup on the W-510&W-530 Fog Machine, make sure that there is no evident damage caused by transportation. In the event that the unit’s housing or cable is damaged, do not plug it in and do not attempt to use it unit’s after contacting your dealer assistance.

Setup

- 1、 Remove all packing materials from the shipping box. Check that all foam and plastic padding is removed, especially in the nozzle area.
- 2、 Place the fog machine on a flat surface and remove the fog liquid tank cap.
- 3、 Place the liquid tube into a properly filled liquid tank.
- 4、 Fill with high –quality, water –based fog liquid recommended by your dealer. The W-510& W-530 only work with professional Fog Liquid. Any other types of liquid can damage the unit and result in spitting and serious clogging problems .When filled ,place the cap back on liquid the tank .Be careful not to exceed the maximum fluid level .DO NOT OVERFILL .

W-510-Operation

Add fluid careful to the liquid tank. Do not overfill the tank.

- 1、 Plug the power cord into a grounded electrical outlet. Turn the power switch to “ON” on the back of the machine .The warm-up process is started.
- 2、 While the unit is completed, the green LED on the rear of the w-510 will be flashing and stay on.
- 3、 Now please refer to chapter “Wireless Remote W-1”for setting the remote controller.

Important

- 1、 Always monitor tank fluid level as you are fogging.
- 2、 Never drink fog liquid. If it is ingested, call a doctor immediately. If fog liquid comes in contact with skin or eyes, rinse thoroughly with water.
- 3、 Always replace the cap on the fog liquid container immediately after filling to avoid contamination.

Technical Specifications

Model	W-510	W530
Power Supply	100-240 AC50/60Hz	100-240 AC50/60Hz
Power Consumption	1300W	3000W
Output Volume	10,000cu.ft/min(284m ³ /min)	10,000cu.ft/min(284m ³ /min)
Tank Capacity	2.8 liter	6 liter
Fluid Consumption	13min/liter	5.3min/liter
Warn-up time	12min	12 min
Weight	11.4KG	19KG
Dimensions(L*W*H)	468*250*148(MM)	581*278*186(MM)
Remote Included	W-1	W-1

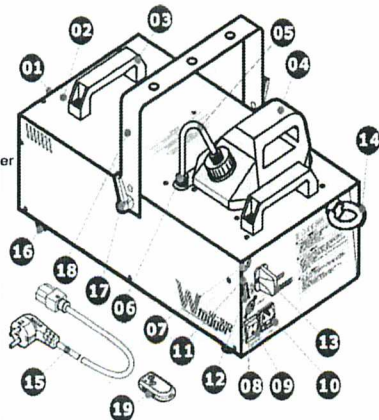
Note: An optoelectronic (OPTO) liquid sensor is installed in the W-510 Fog Machine. The pump will automatically stop working and the LED indicator on the rear of the machine will start to flash when there is insufficient liquid. Please refill liquid to the empty tank and restart (turn off then turn on) to disengage the LED indicator. Then the machine is ready to operate again.

If you experience low output, pump noise or no output at all, unplug immediately. Check the fluid level, the external flues, and power from the wall. If all of the above appears to be O.K., plug the unit again. If fog does not come out after holding the remote button down for 30 seconds, check the hose. If you are unable to determine the cause of the problem, do not simply continue pushing the remote button, as this may damage the unit. Return the machine to your dealer.

W-510: If your model includes a mounting bracket it can be suspended overhead. It is important that the fog does not shoot directly at anyone's face. Do not allow the unit to have more than a 25 degree angle of inclination.

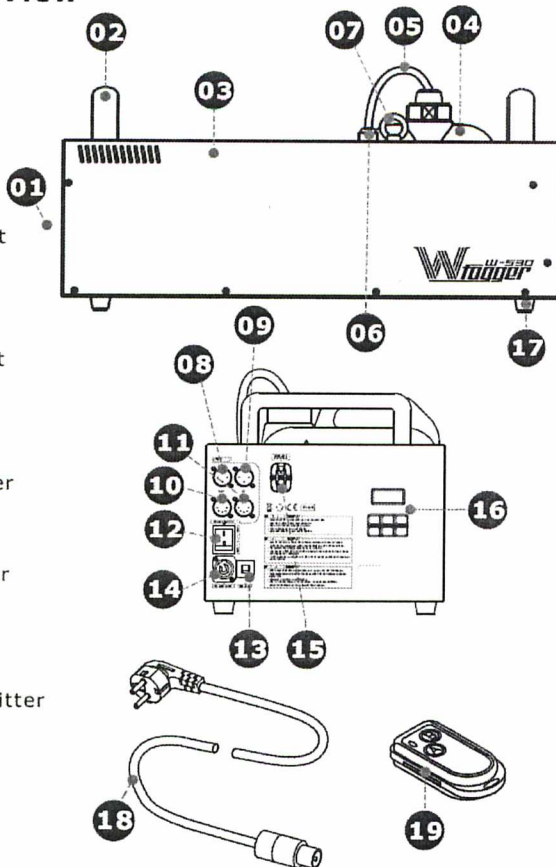
W-510 External View

- 01-Nozzle
- 02-Body
- 03-Handle
- 04-Tank&tank's cap
- 05-PU tube & filter
- 06-Tube adaptor
- 07-Control outlet socket
(3 Pin XLR for DMX)
- 08-Control inlet socket
(3 Pin XLR for DMX)
- 09-Rocker switch / Power
- 10-Power inlet socket & fuseholder
(120VAC 250V/T10A)
(230VAC 250V/T5A)
- 11-Power lamp
- 12-DIP switch
- 13-Wireless receiver
- 14-Safety ring
- 15-Power cord
- 16-Foot
- 17-Tightening screw
- 18-Hanging bracket
- 19-W-1 Wireless controller



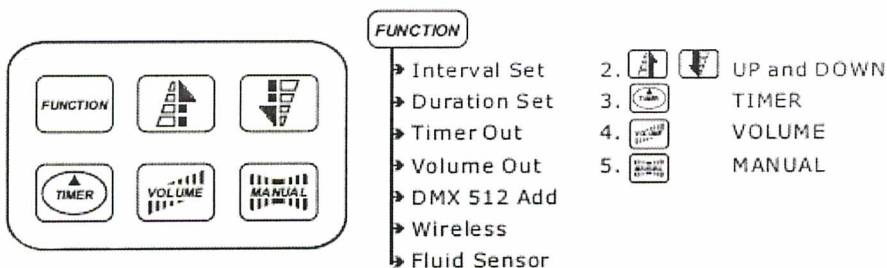
W-530 External View

- 01-Nozzle
- 02-Handle
- 03-Body
- 04-Tank & tank's cap
- 05-PU tube & filter
- 06-Tube adaptor
- 07-Safety ring
- 08-Control outlet socket (3 Pin XLR for DMX)
- 09-Control inlet socket (3 Pin XLR for DMX)
- 10-Control outlet socket (5 Pin XLR for DMX)
- 11-Control inlet socket (5 Pin XLR for DMX)
- 12-Rocker switch / Power
- 13-Circuit breaker
- 14-Power socket
- 15-W-1 wireless receiver
- 16-Control panel
- 17-Foot
- 18-Power cord
- 19-W-1 wireless transmitter



W530

- Configuration of the buttons



Menu setting with the button FUCTION

Setting time intervals for timer operation

Press the button FUCTION until the display indicates >>Intervals Set<<. Use the buttons UP and DOWN to adjust the intervals between the individual fog outputs in timer mode within the range of 1 and 200 seconds.

Setting the fog output volume for timer operation

Press the button FUCTION until the display indicates >> Timer Out<<. Use the button UP and DOWN to adjust the fog output volume in timer mode within the range of 1% and 100%.

Setting the fog output volume for continues operation

Press the button FUCTION until the display indicates >> Volume Out<<. Use the buttons UP and DOWN to adjust the fog machine output volume in continues mode in the range of 1% and

100%.

To set the unit to continues fog output in the continues mode, select >> NON STOP BURST << below a value of 1% or above a value of 100%.

NOTE: when setting a fog output volume higher than 30% for continues operation, the fog machine occasionally needs to stop the fog output to reheat.

When >> NON STOP BURST << is selected, the fog machine adjust the fog output volumes and heater temperature automatically and does not need to stop the fog output to reheat.

Setting the DMX512 address

Press the FUNCTION until the display indicates >> DMX512 Add.<< Use the button UP and DOWN, to set the machine to the same address as on your DMX controller. Please refer to the chapter DMX512 setting for more information on the DMX operation.

Switching the wireless function and off

Press the button FUNCTION until the display indicates >> Wireless On <<. Use the buttons UP and DOWN to deactivate the wireless function(indication >> Wireless Off <<) and reactivate it(indication >> Wireless on <<)

Switching the fluid sensor on and off

Press the button FUNCTION until the display indicate >> Fluid Sensor On <<. Use the buttons UP and DOWN to deactivate the fluid sensor (indication >> Fluid Sensor Off <<) and to reactivate it (indication >> Fluid Sensor On <<)

Continues operation

Press the buttons VOLUME, to activate continuous fog output. The display indicate >> Volume << followed by value that was set in menu item >> Volume Out << or >> NON STOP BURST << when continues fog output was selected. To stop the fog output, press the button VOLUME once again.

NOTE: When a fog output volume higher then 30% was set continues operation, the fog machine occasionally needs to stop the fog output to reheat.

When >> NON STOP BURST << was selected, the fog machine adjust the fog output volume and heater temperature automatically and does not need to stop reheat.

Manual operation

For immediate fog output at the maximum volume of fog, keep the button MANUAL pressed. The display indicates >> Manual 100% <<. As soon as you release the button, the fog output will stop, The manual operation will take these operating modes is activated, the fog machine will always emit the maximum volume of fog when the button MANUAL is pressed.

Timer operation

In the timer mode, the fog machine will automatically emit fog. The time intervals, duration and fog volume depend on the corresponding menu settings, Press the button TIMER, to activate the timer mode. The display indicate the set time interval, The unit counts down to 0 second and emits fog. To deactivate time mode, press the button TOMER again.

W-1 Wireless Remote

The wireless remote control system W-1 consists of a transmitter equipped with two buttons for fog on and off, and a receiver pre-attached to the rear panel of each W-series model.

Transmitter:



With the transmitter it is possible to emit fog via radio over a distance of up to 50

meters. The transmitter is compatible to any receiver of the W-series and can control an unlimited number of machines in parallel.

Receiver:

Press the button "A", to emit fog . As control, the blue LED lights . To stop the fog output, press the button "B".



The receiver is tested and pre-attached to the rear panel of each W-series model. Please do not try remove it. The receiver responds to up to 5 different transmitters that are registered with the machine before shipment. It can be directly operated without any start-up setting.

Registering transmitters

To operate the machine with a different transmitter than the included one, or to operate it with up to 5 different transmitters, each transmitter must be registered first. There is an LED indicator on each machine .On the W-510 it is orange . When the machine is turned on ,the LED will be flashing for 15 seconds .During the 15-second interval, users can register signals for one or more transmitters .For this purpose ,press the button "A" on each transmitter .If the registering signals of the transmitters are well received by the receiver ,the LED will stop flashing and light permanently .The previous transmitters are cleared from the memory of the receiver .If no transmitter is registered when the machine is switched on ,the memory of the receiver will keep the record of the previous operation.

Channel A



Setting Example 1:

In order to register several transmitters with a machine , turn on the machine .While the LED is flashing ,press the button "A" on each transmitter to establish the signal transmission.

Setting Example 2:

In order to use 1 transmitter to control 2 or more machines , turn on the machine at the same time .While the LEDs are flashing ,press the button "A" on the transmitter to establish the signal transmission.

Battery change on the transmitter

If the range of the transmitter decreases, the battery is probably exhausted and must be replaced. For this purpose, take off the housing cover and remove the used battery. Insert a fresh 12 V battery, type 23A as indicated in the battery compartment and refit the housing cover.

W-510 DMX12 Fog Machine Setting

0-5 = off (no output)

6-255 = maximum volume (100% output)

Model W-510 has on-board DMX control, Addressing is via DIP switches . W-510 uses 1 channel to control on/ off operation. The channel has a value range of 0 to 255. The on/ off function can also be programmed with DMX control software used by the lighting and effects operator.

If channel A has a value from 0 to 5 ,the unit is off.

Between the values 6 to 255 the machine has a maximum output volume of 100%

Note: If, for example, the machine is assigned to the DMX address 130, channel A corresponds to DMX address 130.

Addressing

Each machine occupies 1 channel. To ensure that the control signals are properly directed to the machine, it requires addressing. If several machines are used, each machine must be addressed by changing the DIP switches as set out in the table below.

The starting address is defined as the first channel from which the machine will respond to the controller.

Please make sure that you do not have any overlapping channels in order to control each machine correctly and independently from any from any other fixture on the DMX data link. If two, three or three devices are addressed similarly, they will work similarly.

Occupation of the DIP switches:

Setting the DMX-starting address:	DIP-switch no.	1	2	3	4	5	6	7	8	9
Device number & channels	Starting address	1	2	4	8	16	32	64	128	256
Device 1 - Channel 1	ON	▲								
	OFF		▼	▼	▼	▼	▼	▼	▼	▼
Device 2 - Channel 2	ON		▲							
	OFF	▼		▼	▼	▼	▼	▼	▼	▼
Device 3 - Channel 3	ON	▲	▲							
	OFF			▼	▼	▼	▼	▼	▼	▼
Device 4 - Channel 4	ON			▲						
	OFF	▼	▼		▼	▼	▼	▼	▼	▼
Device 5 - Channel 5	ON	▲		▲						
	OFF		▼		▼	▼	▼	▼	▼	▼

Performance Note

All fog machine develop condensation around the output nozzle. Because this may result in some moisture accumulation on the surface below the output nozzle, consider this condensation when installing your unit.

All fog machines may sputter small amounts of fog occasionally during operation and for a minute or so after being turning off.

All fog machines have a recycling period after long bursts when the machine will shut itself down for a short period in order to heat up again. During this time no fog can be produced.

Cleaning and Storage

Do not allow the fog liquid to become contaminated. Always replace the cap on the fog liquid container and the fog machine liquid tank immediately after filling. Cleanig your fog machine regularly can help you to reduce the frequency of parts replacement and maintenance costs. After every 40 hour of continuous operation, it is recommended to use distilled water to clean the heater according to the steps below.

The recommended cleaning regimen is as follow:

- 1、 Fill properly distilled water into a clean tank and connect the fluid tube of the fog machine to the tank.
- 2、 Run the unit in a well-ventilated area until the tank is almost empty.
- 3、 Use dry cloth to wipe the fog machine .cleaning is now complete. Refill with fog liquid. Run

the machine briefly to clear any remaining liquid from the pump and heater.

Note: All fog machines are prone to clogging due to the thick consistency of fog liquid and the high temperature at which it vaporizes. However, a properly maintained fog machine should provide years of reliable use.

Clean with a dry cloth only. Store dry.

If the fog machine is not in use, please clean it before storage. Store the fog machine in a dry and cool place .Operate the fog machine at least once a month .A test-run consists of warming-up the machine followed by a few minutes of fog emission.

Technical

Model	W-508	W-510
Power Supply	100~240V AC 50/60 Hz	100~240V AC 50/60 Hz
Power Consumption	800 W	1,000 W
Output Volume	3,000 cu.ft/min (85 m ³ /min)	10,000cu.ft/min (284 m ³ /min)
Tank Capacity	0.8 liters	2.8 liters
Fluid Consumption	60 min /0.8 liter	13 min / liter
Weight	3.8 kg	11.4 kg
Dimensions (LxWxH)	315 x 128 x 166 (mm)	468 x 250 x 148 (mm)
Remote Included	W-1	W-1
Warm-up Time	100 seconds	12min

Specifications

Warranty

Warranty shall be valid only if the product is purchased from authorized distributors or dealers .For warranty service, send the product only to an authorized distributor or dealer. All warranties are void if the product has been modified in any manner; if the product has been repaired or serviced by unauthorized personnel; or the product is damaged due to improper use or maintenance as set forth in the instruction manual.

This is not service contract and does not include standard maintenance or cleaning .All expendables are not covered by this warranty.

Additional warranties provided at the discretion of the distributor dealers shall remain the sole obligation of the distributor or dealer.

Always quote the unit's serial number and model name when contacting your distributor for information or assistance.