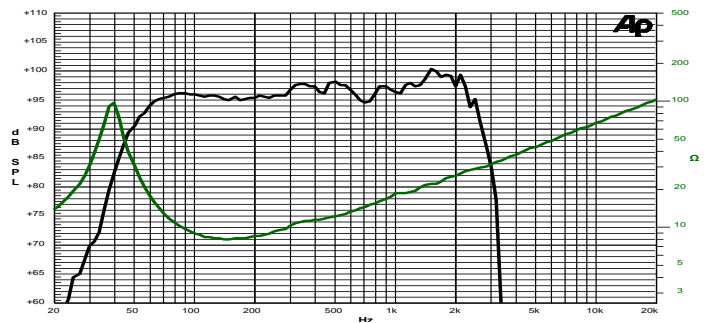
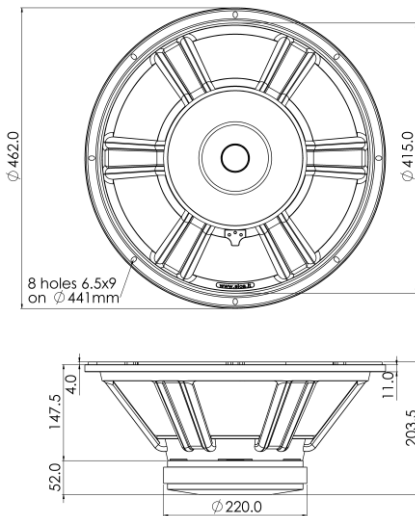


18 F 4 CP 8Ω

18" | 1400 W

Code Z008391

- SNDW** 4" Sandwich voice coil Fiberglass former
- DCS** Double Cross Konex Spider (DCS)
- DAR** Cloth surround with Double Asymmetric Rolls Technology (DAR)
- WpT** Waterproof Cone Treatment
- Ferrite** Magnet Circuit
- VMVc** Ventilated Magnet and Voice Coil to reduce Power Compression
- 97.3 dB sensitivity
- Frequency Range 35-2000 Hz



Frequency Response on 150 Lt @ 45 Hz Vented Box @ 1W, 1m
Free Air Impedance

General Specifications

Nominal Diameter	463 mm (18")
Nominal Impedance	8 Ω
Rated Power AES ⁽¹⁾	700 W
Continuous Program Power ⁽²⁾	1400 W
Sensitivity @ 1W/1m ⁽³⁾	97.3 dB
Voice Coil Diameter	100 mm (4")
Voice Coil Winding Depth	22 mm
Magnetic Gap Depth	10 mm
Flux Density	1.31 T
Magnet Weight	3300 g
Net Weight	13.3 kg

Thiele & Small Parameters⁽⁴⁾

Re	6.1 Ω	Fs	38.6 Hz
Qms	6.23	Qes	0.38
Qts	0.36	Mms	194.0 g
Cms	88 μm/N	Bxl	27.44 Tm
Vas	168.7 l	Sd	1164.2 cm ²
X max ⁽⁵⁾	+/-9.0 mm	X var ⁽⁶⁾	+/-11.5 mm
η _o	2.45 %	Le (1kHz)	1.88 mH

Constructive Characteristics

Magnet	Ferrite
Basket Material	Aluminium Die-Cast
Voice Coil Winding Material	Copper
Voice Coil Former Material	Fiberglass
Cone Material	Paper
Cone Treatment	Surface Waterproof Treatment
Surround Material	Treated Cloth
Dust Dome Material	Solid Paper

Mounting Information

Overall Diameter	462 mm
Baffle Cutout Diameter	417 mm
Mounting Holes	8 holes 6,5x9 on ø441 mm
Total Depth	203.5 mm

(1) Rated Power measured with 2-hour test with pink noise signal, 6dB crest factor, loudspeaker in free air, power calculated on rated Zmin. (2) Power on Continuous Program is defined as 3dB greater than the Rated Power. (3) Calculated by Thiele & Small parameters, for SPL average in box refer to frequency response. (4) Thiele & Small parameters measured with laser system after preconditioning test. (5) Measured with respect to a THD of 10%. (6) Value corresponding to a decay of the Force Factor, or Compliance, or both, equal to the 50% of the small signal value. (7) Drawing dimensions: mm.