

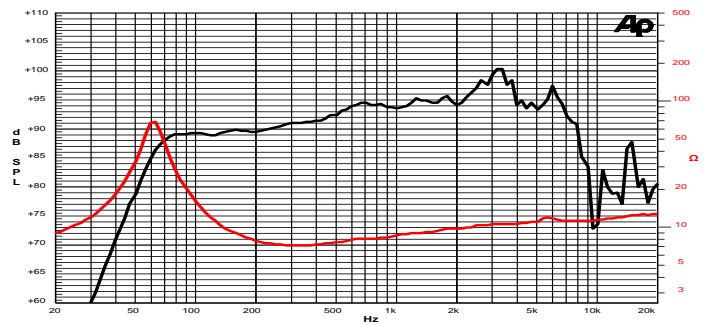
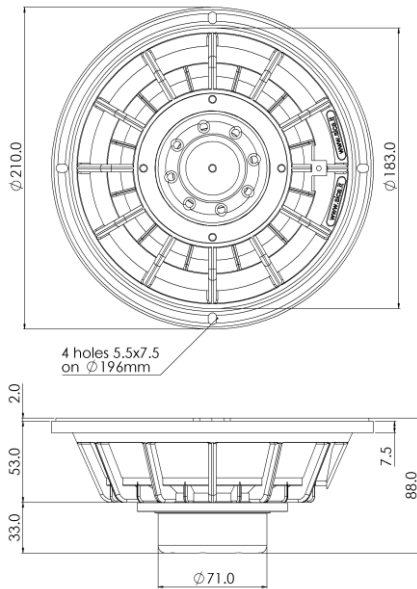
## LP 210.50/N161 T 8Ω

Professional

8" | 400 W

Code Z005322

- 2" voice coil Kapton former and Aluminium Winding
- **DAR** Cloth surround with Double Asymmetric Rolls Technology (DAR)
- **TWP** Total Waterproof Cone Treatment
- **CDR** Neodymium Magnet Circuit with Copper Demodulating Ring
- Ventilated Magnet and Voice Coil to reduce Power Compression
- 94.4 dB sensitivity
- Frequency Range 60-7000 Hz



Frequency Response on 25 Lt @ 65 Hz Vented Box @ 1W, 1m  
Free Air Impedance

### General Specifications

|   |             |
|---|-------------|
| Nominal Diameter                        | 210 mm (8") |
| Nominal Impedance                       | 8 Ω         |
| Rated Power AES <sup>(1)</sup>          | 200 W       |
| Continuous Program Power <sup>(2)</sup> | 400 W       |
| Sensitivity @ 1W/1m <sup>(3)</sup>      | 94.4 dB     |
| Voice Coil Diameter                     | 50 mm (2")  |
| Voice Coil Winding Depth                | 10 mm       |
| Magnetic Gap Depth                      | 8 mm        |
| Flux Density                            | 1.12 T      |
| Magnet Weight                           | 160 g       |
| Net Weight                              | 1.3 kg      |

### Thiele & Small Parameters <sup>(4)</sup>

|                 |           |                 |                       |
|-----------------|-----------|-----------------|-----------------------|
| $R_e$           | 6.2 Ω     | $F_s$           | 60.0 Hz               |
| $Q_{ms}$        | 5.54      | $Q_{es}$        | 0.41                  |
| $Q_{ts}$        | 0.38      | $M_{ms}$        | 18.0 g                |
| $C_{ms}$        | 391 μm/N  | $B_{xl}$        | 10.17 Tm              |
| $V_{as}$        | 25.4 l    | $S_d$           | 213.8 cm <sup>2</sup> |
| $X_{max}^{(5)}$ | +/-3.5 mm | $X_{var}^{(6)}$ | +/-5.0 mm             |
| $\eta_0$        | 1.30 %    | $L_e$ (1kHz)    | 0.21 mH               |

### Constructive Characteristics

|                             |                            |
|-----------------------------|----------------------------|
| Magnet                      | Neodymium                  |
| Basket Material             | Aluminium Die-Cast         |
| Voice Coil Winding Material | Aluminium                  |
| Voice Coil Former Material  | Kapton                     |
| Cone Material               | Paper                      |
| Cone Treatment              | Total Waterproof Treatment |
| Surround Material           | Treated Cloth              |
| Dust Dome Material          | Solid Paper                |

### Mounting Information

|                        |                           |
|------------------------|---------------------------|
| Overall Diameter       | 210 mm                    |
| Baffle Cutout Diameter | 184 mm                    |
| Mounting Holes         | 4 holes 5,5x7,5 on 196 mm |
| Total Depth            | 88 mm                     |

(1) Rated Power measured with 2-hour test with pink noise signal, 6dB crest factor, loudspeaker in free air, power calculated on rated Zmin. (2) Power on Continuous Program is defined as 3dB greater than the Rated Power. (3) Calculated by Thiele & Small parameters, for SPL average in box refer to frequency response. (4) Thiele & Small parameters measured with laser system after preconditioning test. (5) Measured with respect to a THD of 10%. (6) Value corresponding to a decay of the Force Factor, or Compliance, or both, equal to the 50% of the small signal value. (7) Drawing dimensions: mm.

Due to continuing product improvement, the features and the design are subject to change without notice.