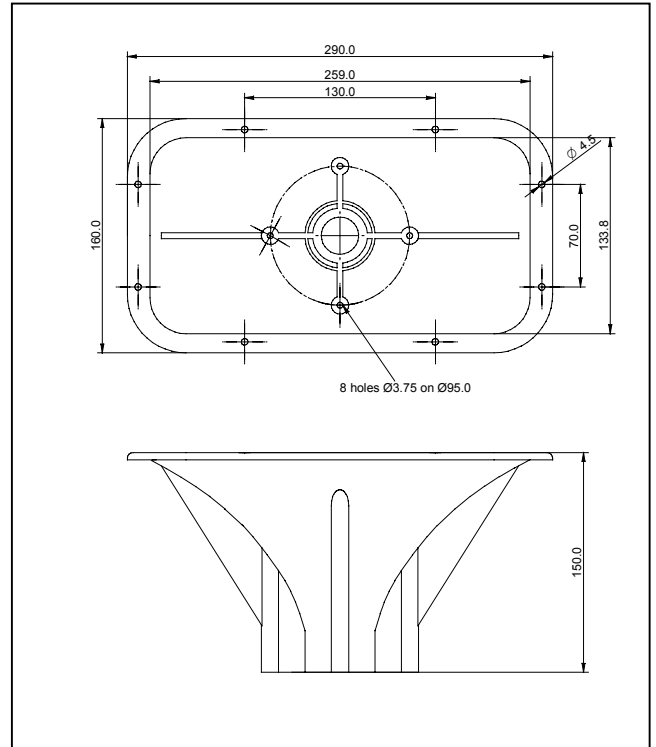
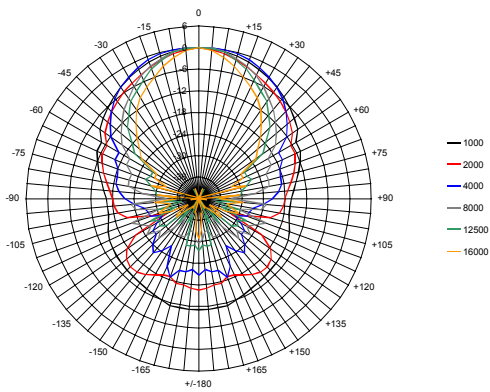


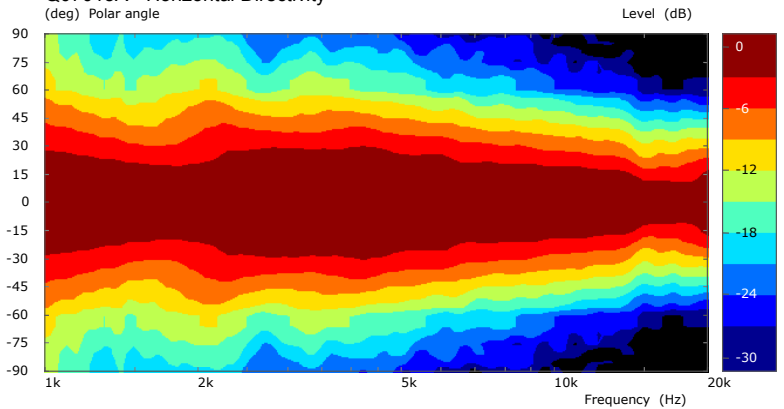
SPECIFICATIONS		
Throat Diameter .....	25.4	mm (1")
Cutoff Frequency .....	1.00	kHz
Net Weightl .....	0.41	Kg
Horizontal coverage .....	80°	
Vertical coverage .....	60°	
Material.....	Plastic	
Shape .....	Rectangular	
MOUNTING INFORMATION		
Overall Dimensions .....	290x160x150 mm	
Baffle Cutout Dimensions.....	255x135 mm	
Mounting Holes .....	8 holes Ø4.5 mm	
NOTE		



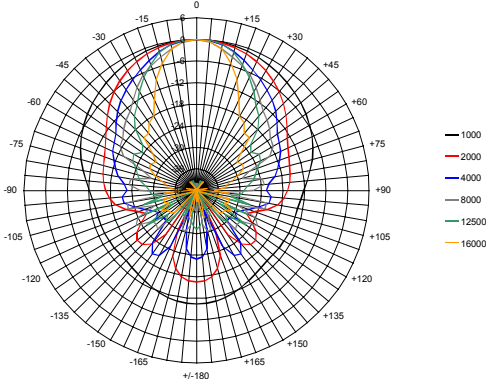
Q07015A Horizontal Polar Pattern



Q07015A - Horizontal Directivity



Q07015A Vertical Polar Pattern



Q07015A - Vertical Directivity

