

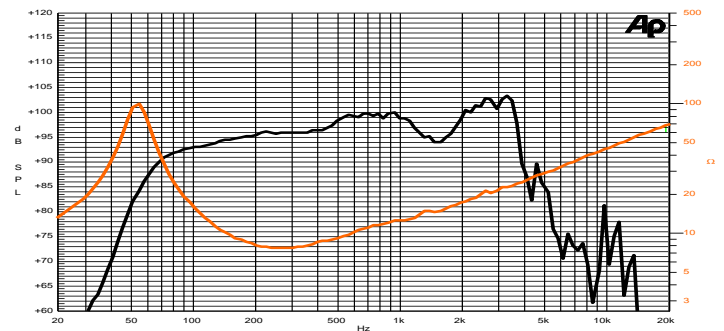
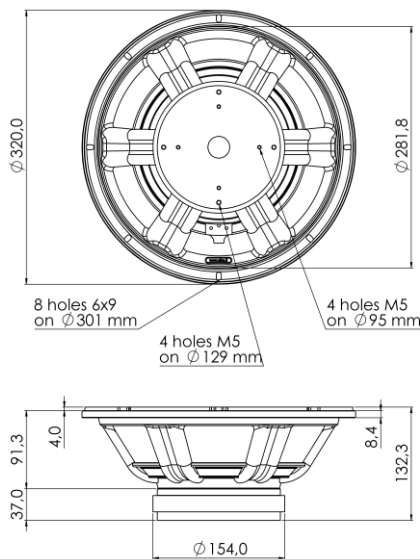
## 12 C 2,5 CP 8Ω

12" | 600 W

Code Z007857

Coaxial

- 2,5" voice coil Kapton former
- DAR** Cloth surround with Double Asymmetric Rolls Technology (DAR)
- 1" throat diameter for Compression Driver
- 60° coverage Aluminium horn for Compression Driver
- Ferrite Magnet Circuit
- Possibility to use different Compression Drivers
- 98.6 dB sensitivity
- Frequency Range 55-3500 Hz



Frequency Response on 45 Lt @ 55 Hz Vented Box @ 1W, 1m  
Free Air Impedance

### General Specifications

Nominal Diameter	321 mm (12")
Nominal Impedance	8 Ω
Rated Power AES <sup>(1)</sup>	300 W
Continuous Program Power <sup>(2)</sup>	600 W
Sensitivity @ 1W/1m <sup>(3)</sup>	98.6 dB
Voice Coil Diameter	65 mm (2,5")
Voice Coil Winding Depth	16 mm
Magnetic Gap Depth	8 mm
Flux Density	1.30 T
Magnet Weight	1450 g
Net Weight	5.0 kg

### Thiele & Small Parameters <sup>(4)</sup>

$R_e$	6.2 Ω	$F_s$	50.5 Hz
$Q_{ms}$	8.85	$Q_{es}$	0.31
$Q_{ts}$	0.30	$M_{ms}$	47.0 g
$C_{ms}$	211 μm/N	$B_{xl}$	17.30 Tm
$V_{as}$	84.5 l	$S_d$	530.9 cm <sup>2</sup>
$X_{max}^{(5)}$	+/-5.0 mm	$X_{var}^{(6)}$	+/-8.5 mm
$\eta_o$	3.40 %	$L_e$ (1kHz)	1.12 mH

### Constructive Characteristics

Magnet	Ferrite
Basket Material	Aluminium Die-Cast
Voice Coil Winding Material	Copper
Voice Coil Former Material	Kapton
Cone Material	Paper
Cone Treatment	No
Surround Material	Treated Cloth
Dust Dome Material	None

### Mounting Information

Overall Diameter	320 mm
Baffle Cutout Diameter	284 mm
Mounting Holes	8 holes 6x9 on ø301 mm
Total Depth	132.3 mm
Throat Diameter for Compression Driver	25.4 mm
Compression Driver	4 holes M4 on ø95 mm
Mounting Holes	4 holes M5 on ø129 mm with adapter Q07310A

(1) Rated Power measured with 2-hour test with pink noise signal, 6dB crest factor, loudspeaker in free air, power calculated on rated Zmin. (2) Power on Continuous Program is defined as 3dB greater than the Rated Power. (3) Calculated by Thiele & Small parameters, for SPL average in box refer to frequency response. (4) Thiele & Small parameters measured with laser system after preconditioning test. (5) Measured with respect to a THD of 10%. (6) Value corresponding to a decay of the Force Factor, or Compliance, or both, equal to the 50% of the small signal value. (7) Drawing dimensions: mm.