

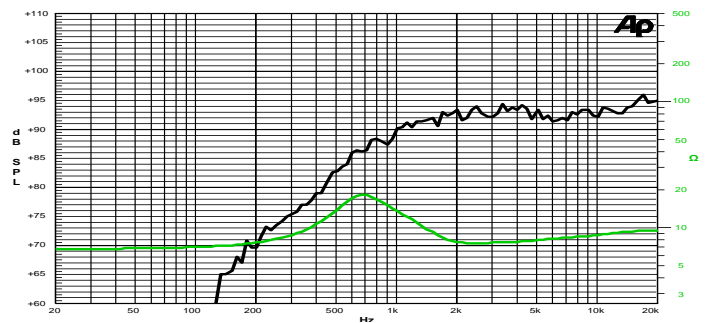
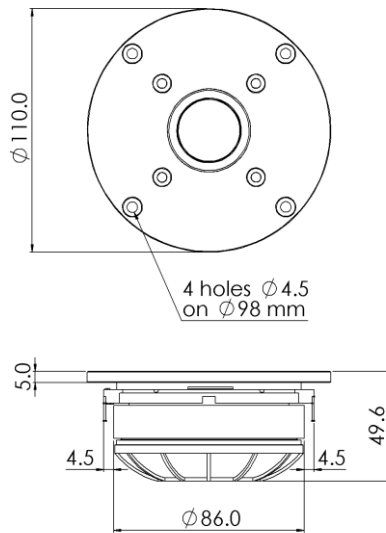
LP 110.28/380 TW 8Ω

Dome Tweeter

1,1" | 120 W

Code Z009240

- AIFW** 1,1" voice coil Aluminium former and Aluminium Flat Wire
- TSDD** Treated Silk dome with Additional Damping Treatment
- CDR** Ferrite Magnet Circuit with Copper Demodulating Ring
- LFs** Low Resonance, 650 Hz
- Damped rear chamber
- 93.3 dB sensitivity



Frequency Response on IEC Baffle (DIN 45575) @ 1W,1m – Free Air Impedance

General Specifications

Nominal Diameter	110 mm
Nominal Impedance	8 Ω
Rated Power AES ⁽¹⁾	25 W
Continuous Program Power ⁽²⁾	50 W
Rated Noise Power (IEC 60268-5) ⁽³⁾	120 W
Sensitivity @ 1W/1m ⁽⁴⁾	93.3 dB
Voice Coil Diameter	28 mm (1,1")
Voice Coil Winding Depth	2.7 mm
Magnetic Gap Depth	3.0 mm
Flux Density	1.28 T
DC Resistance	6.0 Ω
Resonance Frequency	0.65 kHz
Magnet Weight	380 g
Net Weight	0.8 kg
Recommended Crossover Frequency	1.5 kHz

Constructive Characteristics

Magnet	Ferrite
Voice Coil Winding Material	Aluminium Flat Wire
Voice Coil Former Material	Aluminium
Diaphragm	Treated Silk
Ferrofluid in Air Gap	No
Flange	Aluminium
Spare Part Code	Z009410

Mounting Information

Overall Diameter	110 mm
Baffle Cutout Diameter	(required excavation for terminals) 88 mm
Mounting Holes	4 holes $\varnothing 4,5$ on $\varnothing 98$ mm
Total Depth	49.6 mm

(1) Rated Power measured with 2-hour test with pink noise signal, 6dB crest factor. (2) Power on Continuous Program is defined as 3dB greater than the Rated Power. (3) Rated Noise Power measured with 100 hours test pink noise, 6 dB crest factor IFC60268-5 filtering. (4) Measured at 1W, 1m in axis within the frequency range